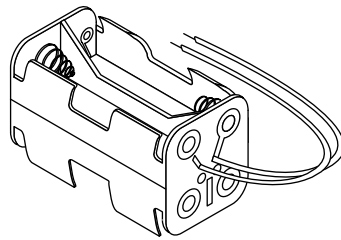


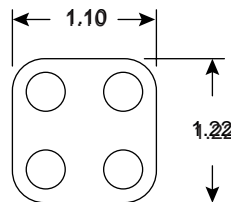
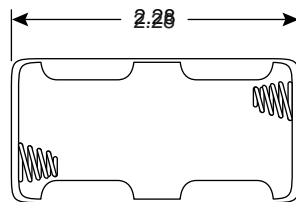
Dimensions (In.)

Specifications:

- Type: 1 "AAA" cell with PC mount solder legs
- Material: P.P. resin
- Spring: .6mm 65C spring wire
- Color: Black



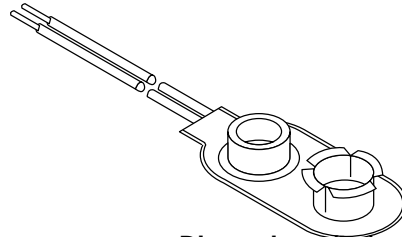
Dimensions (In.)



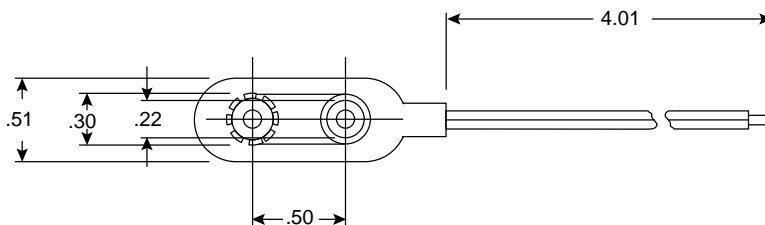
Dimensions (In.)

Specifications:

- Type: standard
- Size: "AA"
- Leads: 6" tinned 3/16"
- Material: plastic
- Hardware: nickel plated



Dimensions (In.)



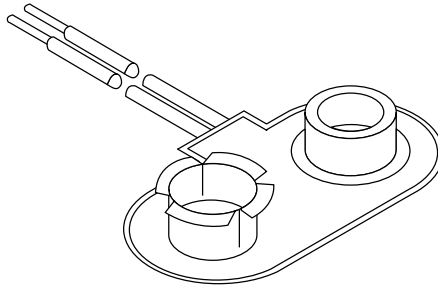
Specifications:

- Contacts: nickel plated brass
- 4 prong external
- Stranded wire: 26AWG
- Maximum temperature: 176°F

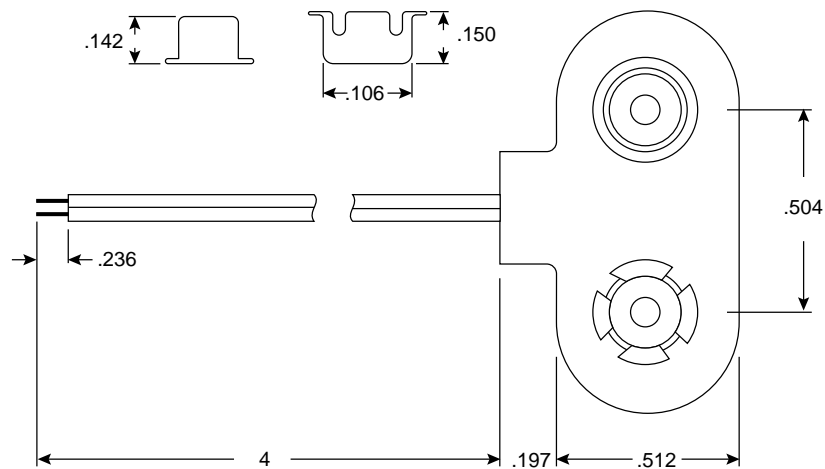
Your source for quality electronics. Toll-free full service

(800) 346-6873

<http://www.mouser.com>



Dimensions (In.)



Specifications:

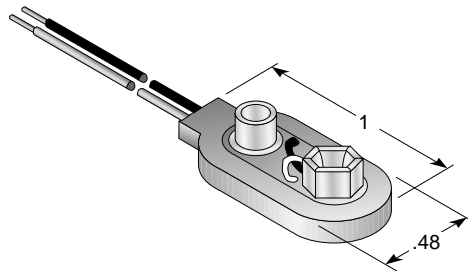
- Maximum temperature: 80°C
- 26 AWG stranded
- Contacts: nickel plated brass
- 4 prong external
- 4" leads

Your source for quality electronics. Toll-free full service

(800) 346-6873

<http://www.mouser.com>

Dimensions (In.)



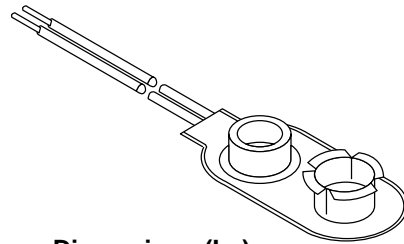
Specifications:

- Leads: 4 inches
- Stranded wire: 26AWG
- Contacts: nickel plated brass
- .3 inch thick

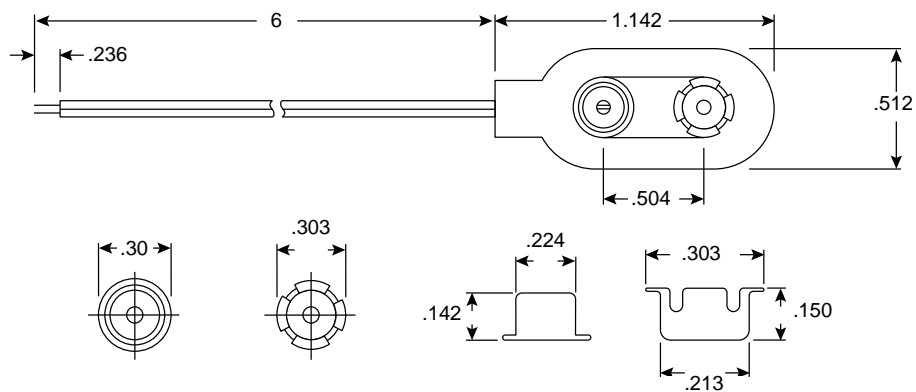
Your source for quality electronics. Toll-free full service

(800) 346-6873

<http://www.mouser.com>



Dimensions (In.)



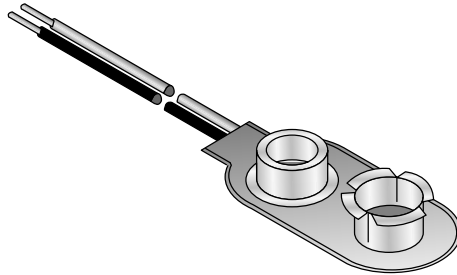
Specifications:

- Contacts: nickel plated brass
- Spacing between snap connections: .5 inches
- Male snap: .225 inches (O.D.)
- Female snap: .205 inches (O.D.)
- Wire lead: (UL listed) 26 AWG
- Lead length: 6 inches

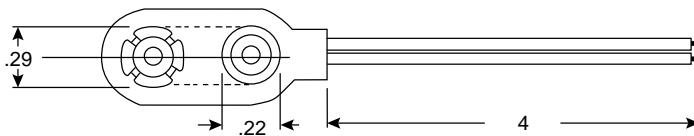
Your source for quality electronics. Toll-free full service

(800) 346-6873

<http://www.mouser.com>



Dimensions (In.)



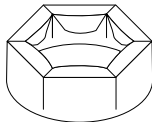
Specifications:

- Parallel leads 24AWG stranded
- 4 prong external
- Nickel plated brass contacts
- White wire: - negative
- Black wire: + positive

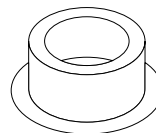
Your source for quality electronics. Toll-free full service

(800) 346-6873

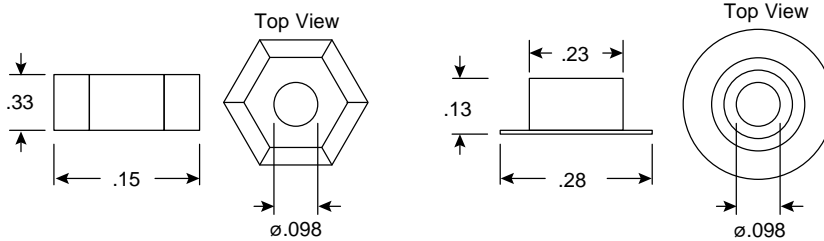
12BC269
Female Snap



12BC261
Male Snap



Dimensions (In.)



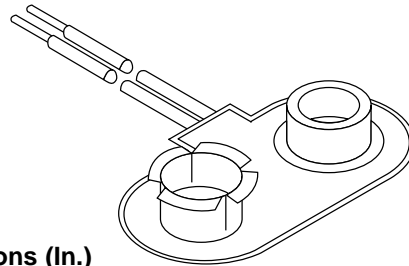
Specifications:

- Type: 9V
- Material : nickel plated brass
- Current rating: 0.5A

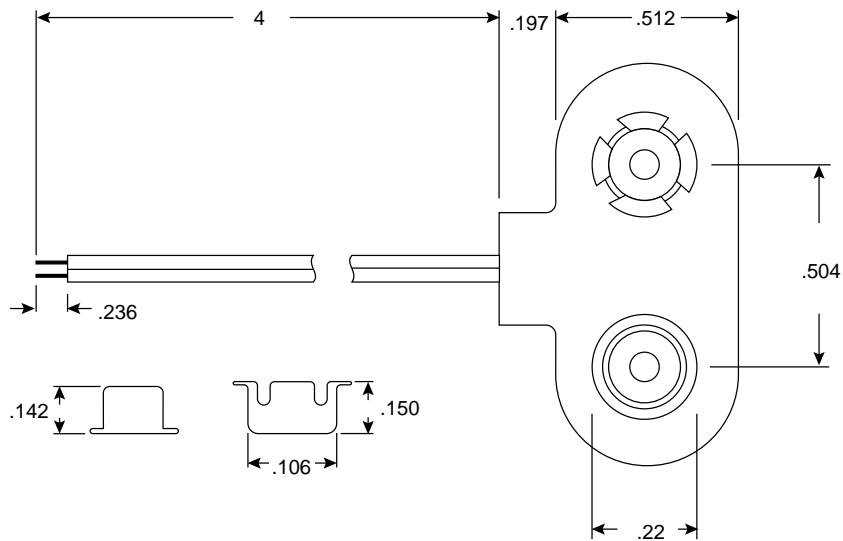
Your source for quality electronics. Toll-free full service

(800) 346-6873

<http://www.mouser.com>



Dimensions (In.)



Specifications:

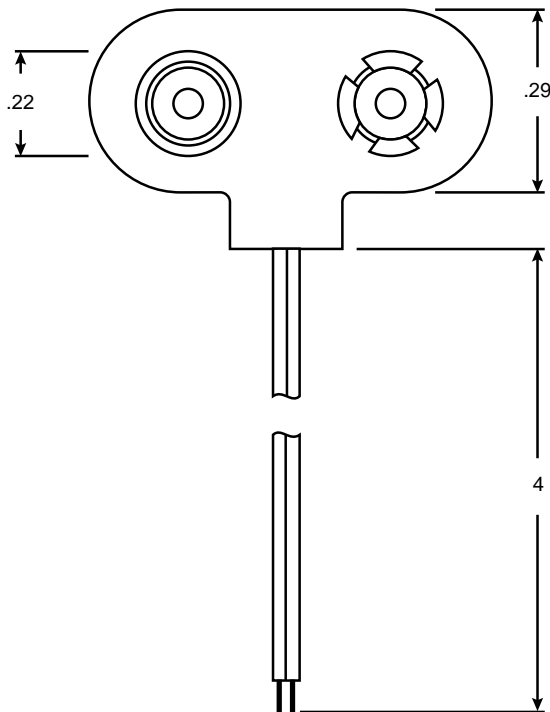
- UL #1007
- 4 prong external
- Contacts: nickel plated brass
- Stranded: 26AWG

Your source for quality electronics. Toll-free full service

(800) 346-6873

<http://www.mouser.com>

Dimensions (In.)



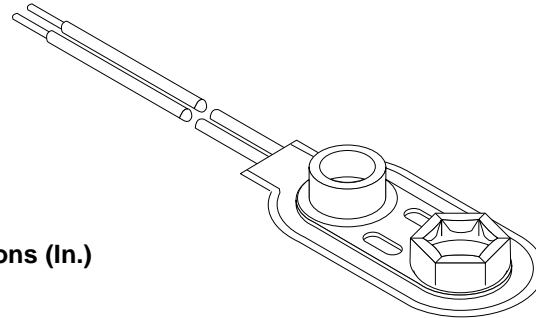
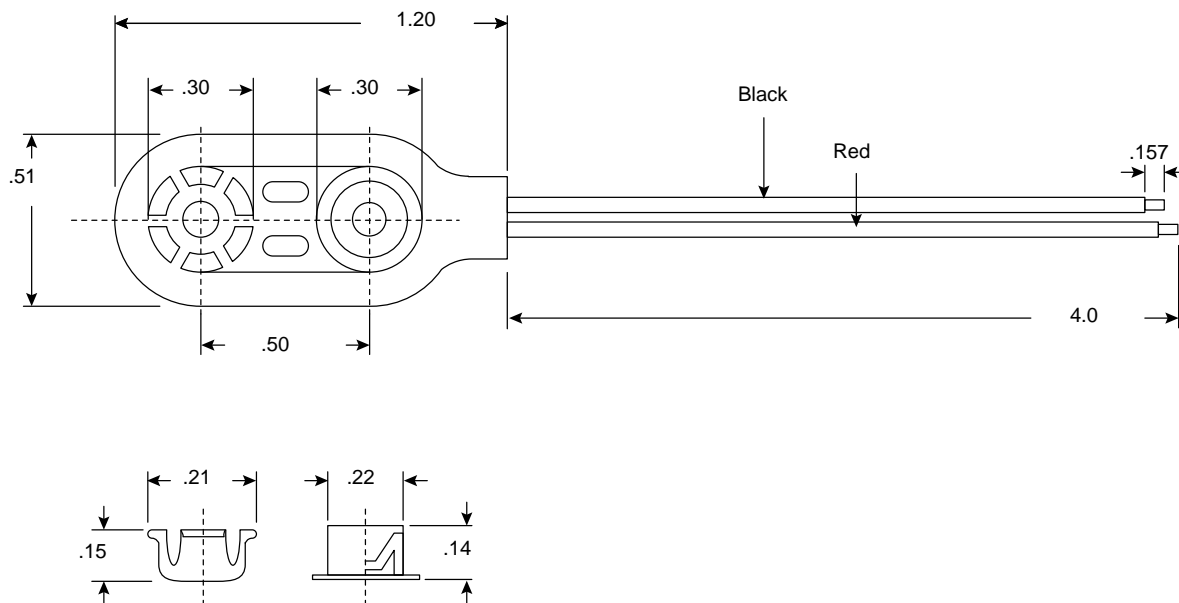
Specifications:

- UL 1007
- 24 AWG solid
- Contacts: nickel plated brass
- 4 prong external

Your source for quality electronics. Toll-free full service

(800) 346-6873

<http://www.mouser.com>

**Dimensions (In.)****Specifications:**

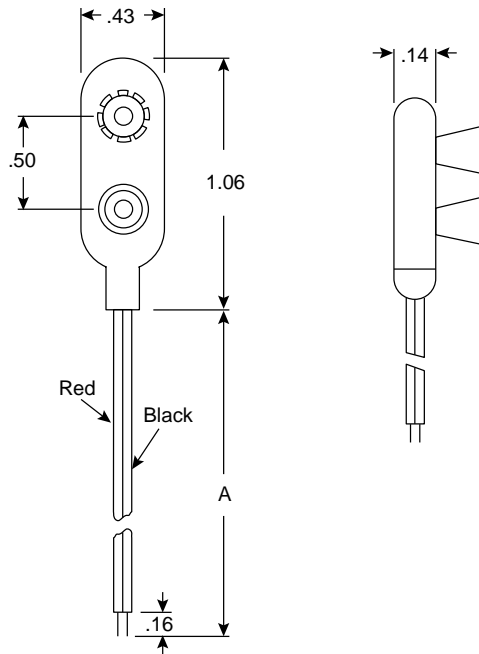
- Insulator (PVC): clear
- Wire size: 26 AWG
- Lead length: 4 inches
- Contacts: 6 prongs; nickel plated brass

Your source for quality electronics. Toll-free full service

(800) 346-6873

<http://www.mouser.com>

Dimensions (In.)



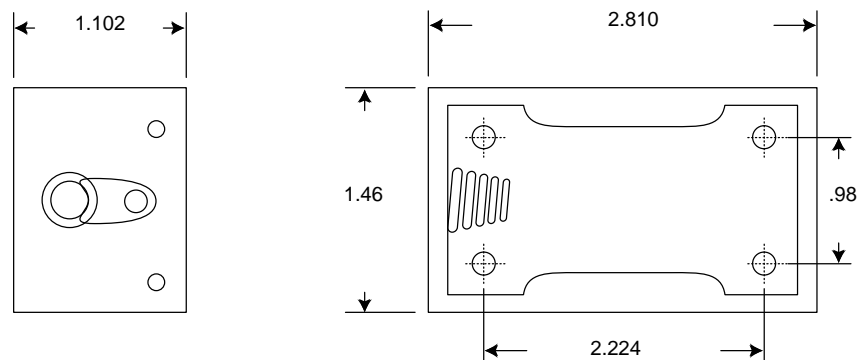
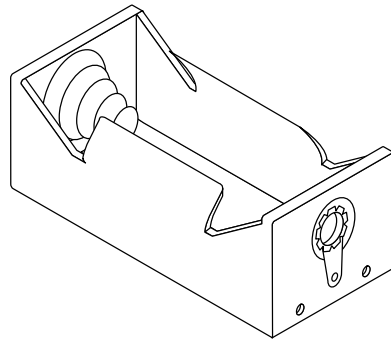
Specifications:

- UL 1007
- Leads polarity coded
- Snaps: nickel plated brass
- Stranded wire
- Body: molded polyethelene
- Operating temperature range: -40°F to +185°F

Your source for quality electronics. Toll-free full service

(800) 346-6873

<http://www.mouser.com>



Dimensions (In.)

Specifications:

- Number of cells: 1 cell
- Size: D
- Color: white
- Description: solder tabs
molded plastic
nickel plated springs, studs, sockets, and rivets
- Corrosion resistive

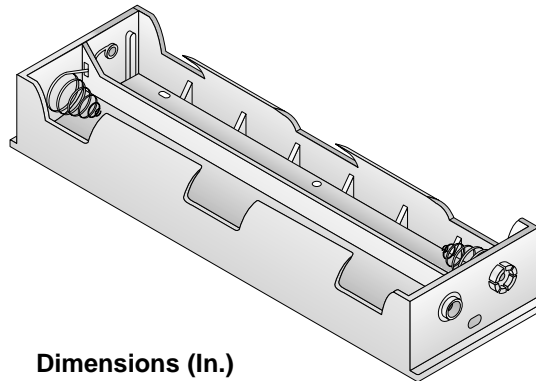
Your source for quality electronics. Toll-free full service

(800) 346-6873

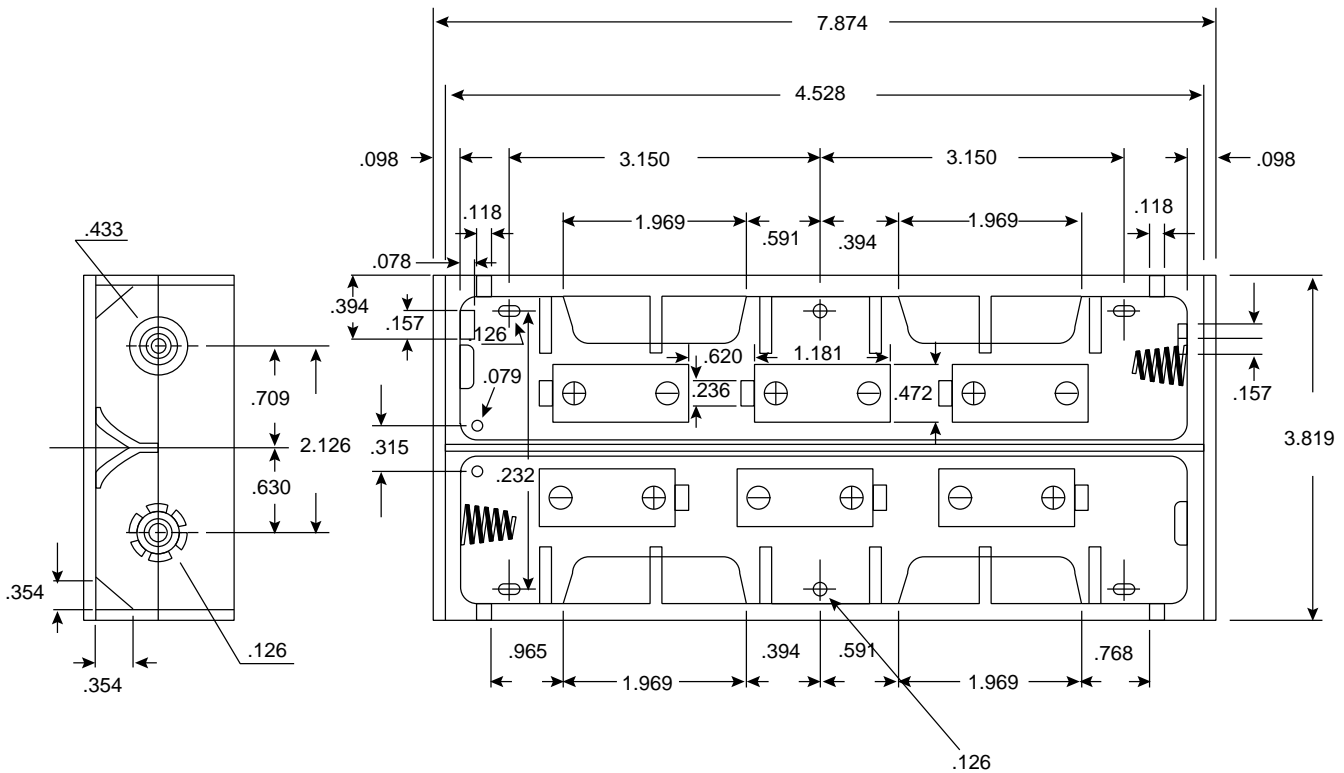
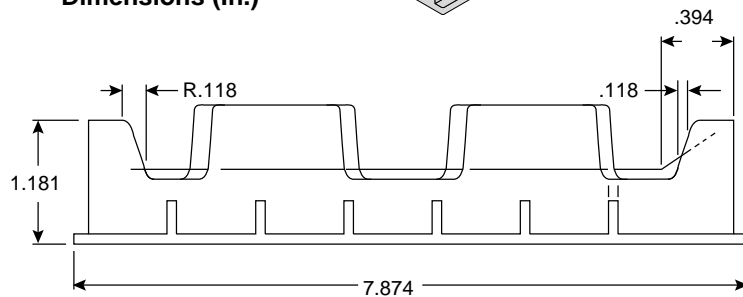
<http://www.mouser.com>

Specifications:

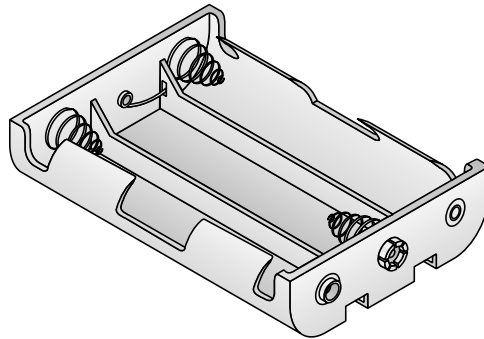
- Body: polyethylene
- Nickel plated springs, studs, sockets, & rivets
- Corrosion resistive
- Holds cells: 6D
- Snap size: STD
- Snap space: 1.32"
- Temperature range: -50°C ~ +60°C
- Spring: nickel plated piano wire
- Eyelet: nickel plated brass
- Terminal: nickel plated brass



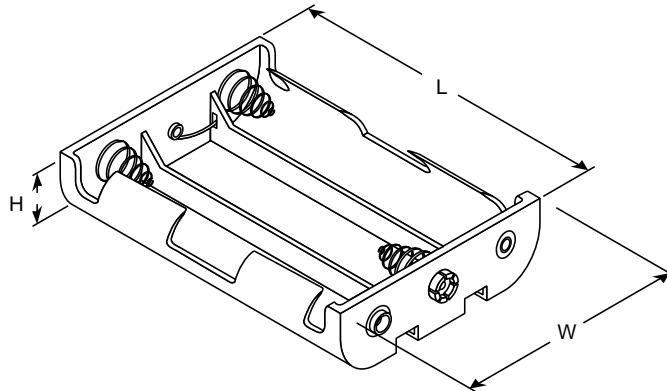
Dimensions (In.)



Your source for quality electronics. Toll-free full service
(800) 346-6873



Dimensions (In.)



Dimensions (In.)

L	5.354
W	4.173
H	1.260

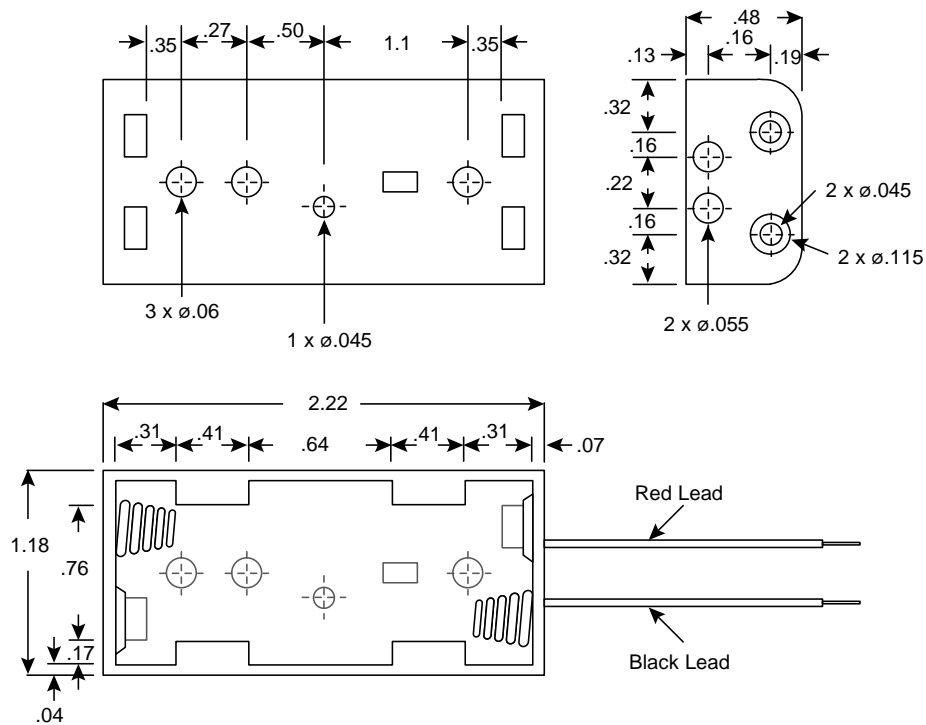
Specifications:

- Hold cells: 6D
- Terminal type: snaps
- Snap size: jumbo
- Snap space: 1.32 inches

Your source for quality electronics. Toll-free full service

(800) 346-6873

<http://www.mouser.com>



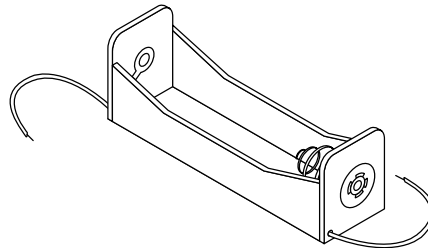
Specifications:

- Type: 2AA
- Body: polyethylene
- Contacts: nickel plated brass
- Springs: stainless steel

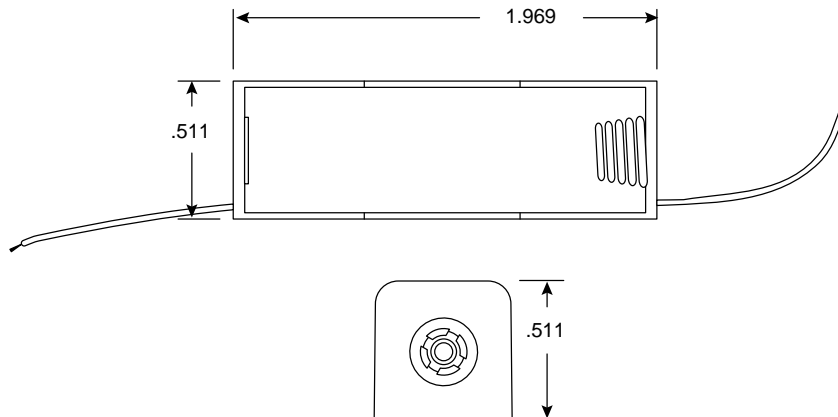
Your source for quality electronics. Toll-free full service

(800) 346-6873

<http://www.mouser.com>



Dimensions (In.)



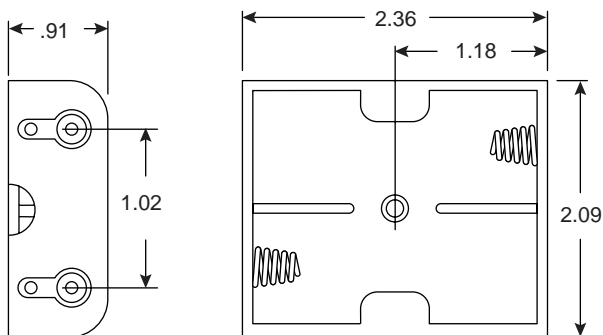
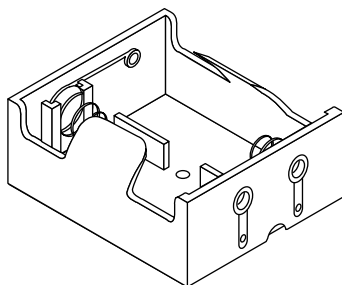
Specifications:

- Cell: holds 1 AAA
- Body: molded, black plastic
- Springs & rivets: nickel plated
- Corrosion resistant
- Choice of 6 inch leads (12BH410) or solder lugs (12BH411)

Your source for quality electronics. Toll-free full service

(800) 346-6873

<http://www.mouser.com>

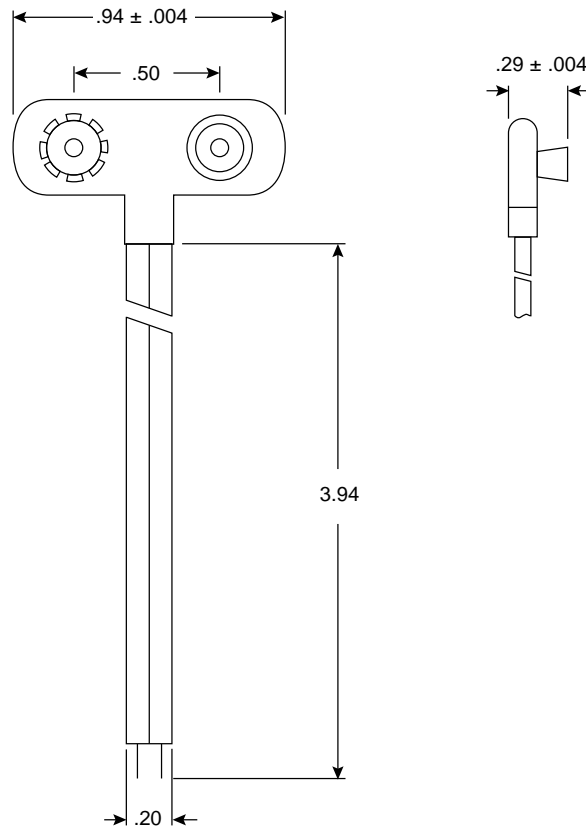


Dimensions (In.)

Specifications:

- Holds: 2 "C" cells
- Body: polypropylene
- Springs: nickel plated steel piano wire
- Rivets & studs: nickel plated steel
- Terminals: solder lugs
- Temperature rating: -10°C~ +120°C

Dimensions (In.)



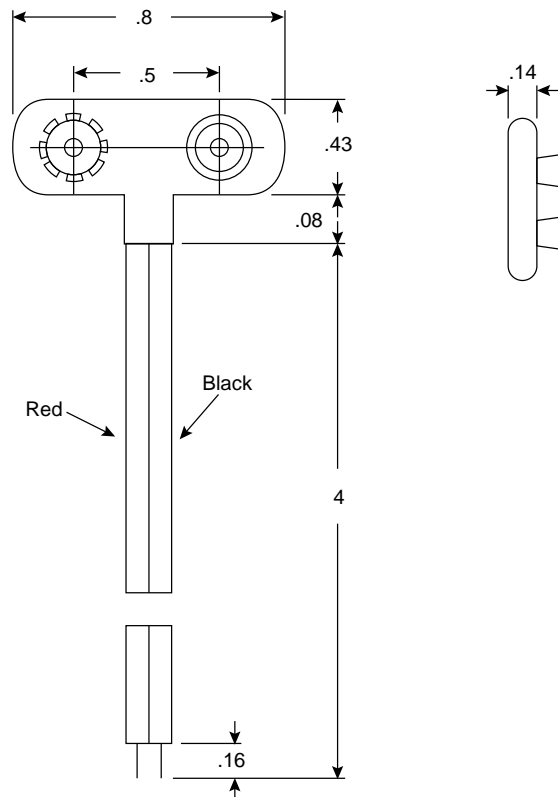
Specifications:

- Lead wire: 26AWG UL and CSA approved
- Clip material: nickel plated brass
- Body material: PVC

Your source for quality electronics. Toll-free full service

(800) 346-6873

<http://www.mouser.com>

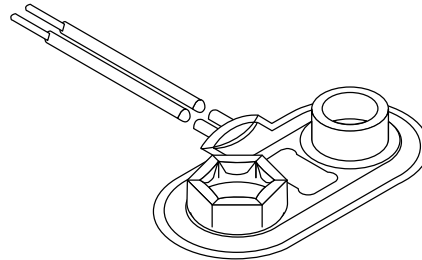
Dimensions (In.)**Specifications:**

- UL 1007
- Leads: polarity coded
- Snaps: nickel plated brass
- Stranded wire: stripped and tinned
- Body: molded polyethylene
- Operating temperature range: -40°F to +185°F

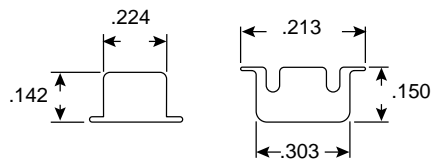
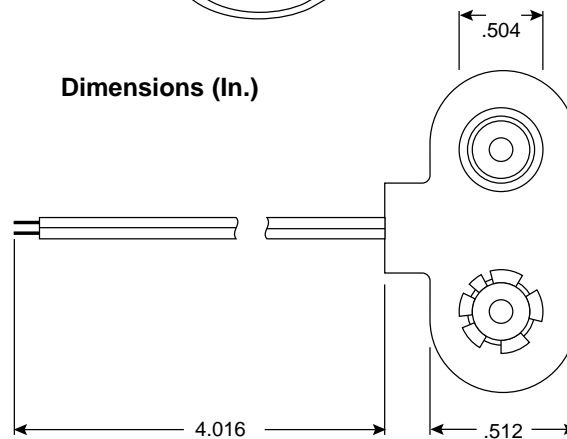
Your source for quality electronics. Toll-free full service

(800) 346-6873

<http://www.mouser.com>



Dimensions (In.)



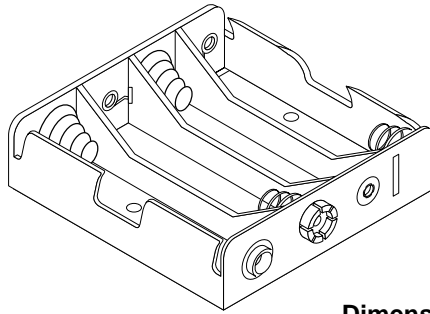
Specifications:

- 6 prong
- PVC clear
- Leads: 4" 24AWG

Your source for quality electronics. Toll-free full service

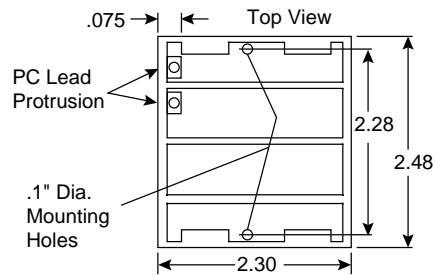
(800) 346-6873

<http://www.mouser.com>

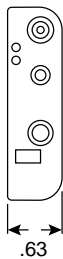


Dimensions (In.)

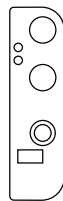
Battery size: AAx4
Material: black
Polypropylene



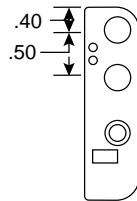
12BH347



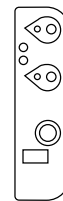
12BH348



12BH349



12BH351



Specifications:

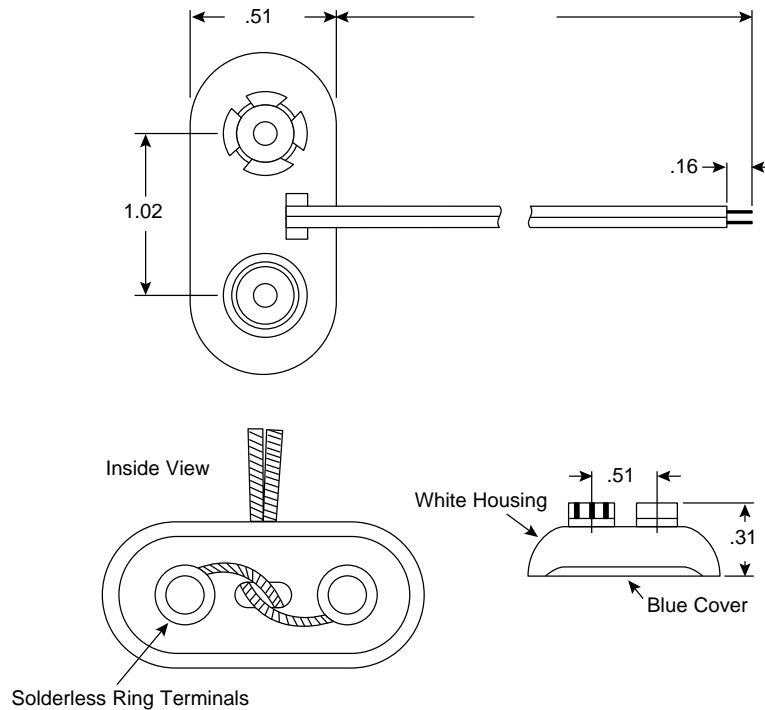
- Snap, 4 prong
- Snap spacing: .50"
- 6" wire leads, 26AWG
- Stripping & tinned 3/16"
- PC mount
- Lead spacing: .50"
- PC lead dia.: 8mm (.031")
- Lead length: 11mm (.43" = .09")
- Lead material: spring wire
- Solder tabs
- Tab spacing: .50"

Your source for quality electronics. Toll-free full service

(800) 346-6873

<http://www.mouser.com>

Dimensions (In.)



Specifications:

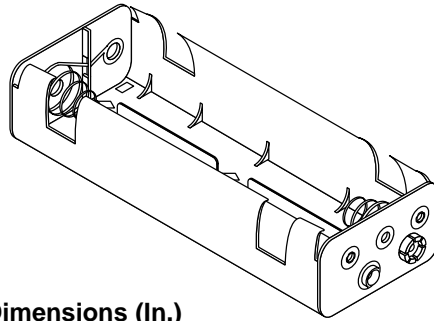
- Snaps: high reliability 6 prong nickel plated brass
- White housing: light blue cover (polyethylene)
- UL / CSA 1007 24AWG stripped and tinned wire
- Solderless ring terminals: eliminate cold solder joints

Mouser Stock No.	L (In.)
123-7034	4
123-7036	6
123-7040	10

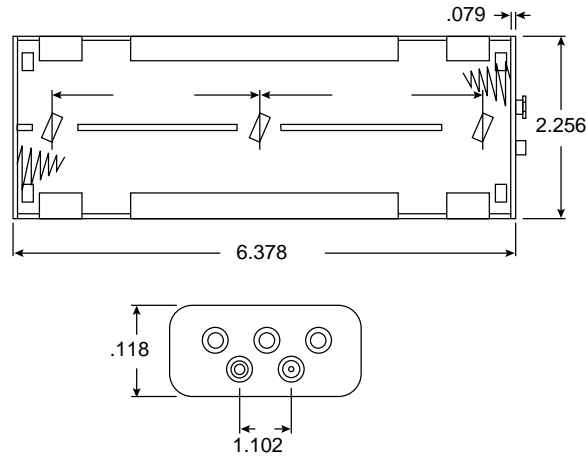
Your source for quality electronics. Toll-free full service

(800) 346-6873

<http://www.mouser.com>



Dimensions (In.)



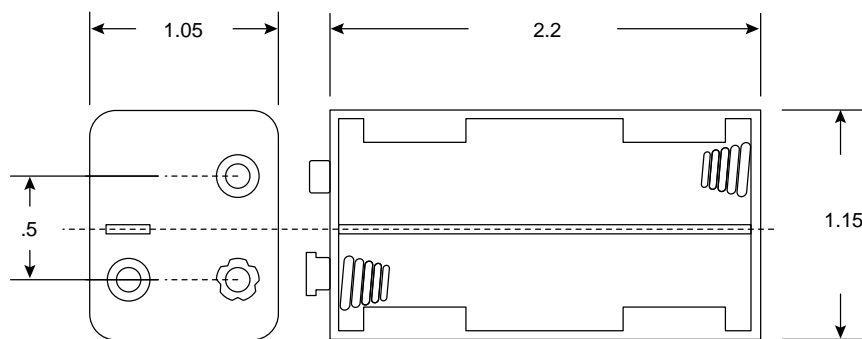
Specifications:

- Holds: 6 x C size batteries
- Lead terminations: 6 inches tinned 3/16
- Color: white

Your source for quality electronics. Toll-free full service

(800) 346-6873

<http://www.mouser.com>



Dimensions (In.)

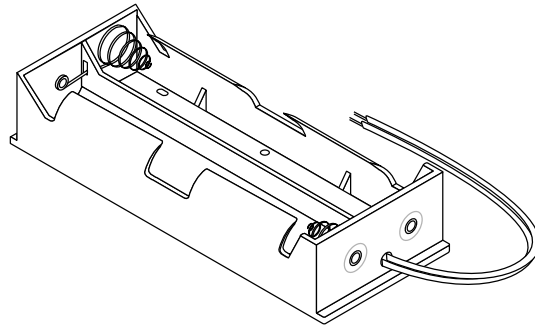
Specifications:

- Type: 4AA
- Material: high density polyethylene
- Springs and snaps: nickel plated steel

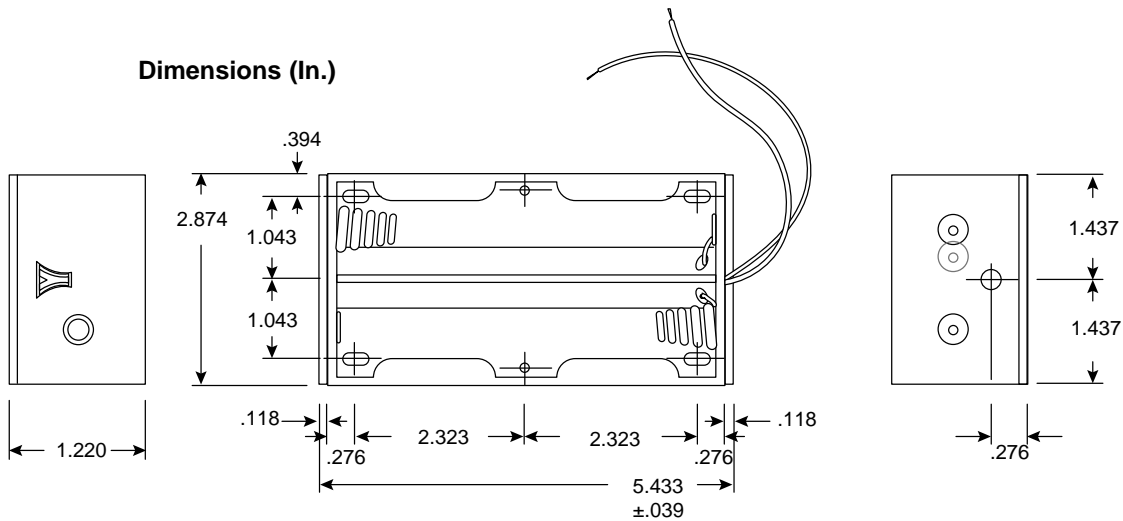
Your source for quality electronics. Toll-free full service

(800) 346-6873

<http://www.mouser.com>



Dimensions (In.)



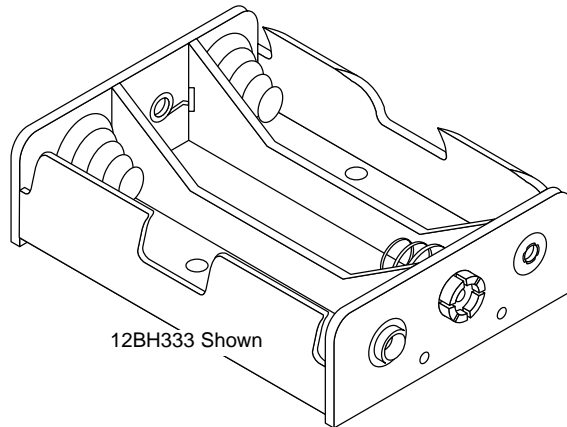
Specifications:

- Holds: 4 x D cells
- Body: polyethylene
- Eyelet: nickel plated brass
- Spring: nickel plated heated steel wire (piano wire)
- Lug: nickel plated brass
- Terminals: nickel plated brass
- Red lead: .18 x 12 strands
- Black lead: .18 x 12 strands
- Lead length: 7.874 ± .40

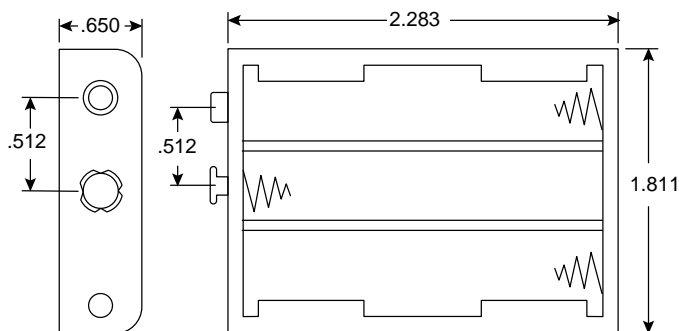
Your source for quality electronics. Toll-free full service

(800) 346-6873

<http://www.mouser.com>



Dimensions (In.)



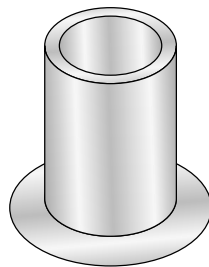
Specifications:

- Termination: snaps (part # 12BH333)
6" leads tinned 3/18": 24AWG (part # 12BH334)
- Color: black
- Battery holder: black molded plastic
- Springs: nickel plated
- Studs: nickel plated
- Sockets: nickel plated
- Rivets: nickel plated
- Holds: 3 x AA

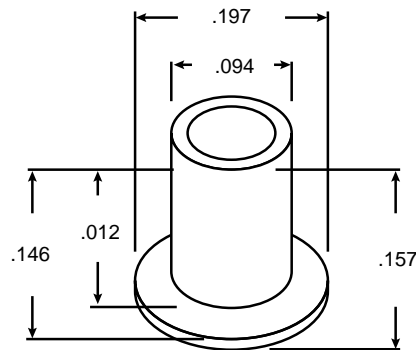
Your source for quality electronics. Toll-free full service

(800) 346-6873

<http://www.mouser.com>



Dimensions (In.)

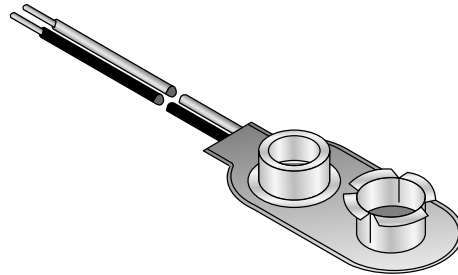
**Specifications:**

- Material: brass
- Plating: nickel

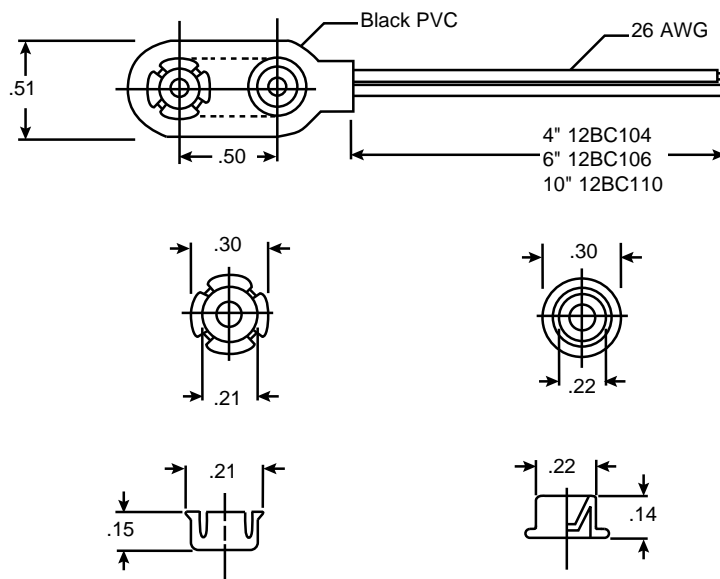
Your source for quality electronics. Toll-free full service

(800) 346-6873

<http://www.mouser.com>



Dimensions (In.)



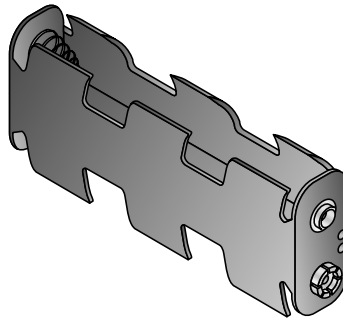
Specifications:

- 26 AWG 7-strand tin plated copper wire leads (UL 1007; CSA LL69583)
- Operating temperature: -15°C to +90°C
- Pull test: 1.5Kgs (straight direction) for 1 minute
- Black insulation cover
- Contacts: nickel plated brass
- PVC insulated leads: stripped and pre-tinned
- Leads polarity color coded: (red+)/(-) black)
- 4 prong contact

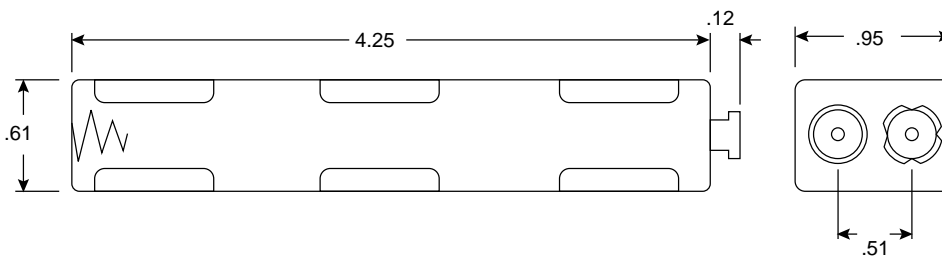
Your source for quality electronics. Toll-free full service

(800) 346-6873

<http://www.mouser.com>



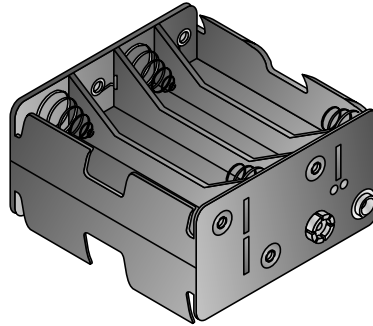
Dimensions (In.)



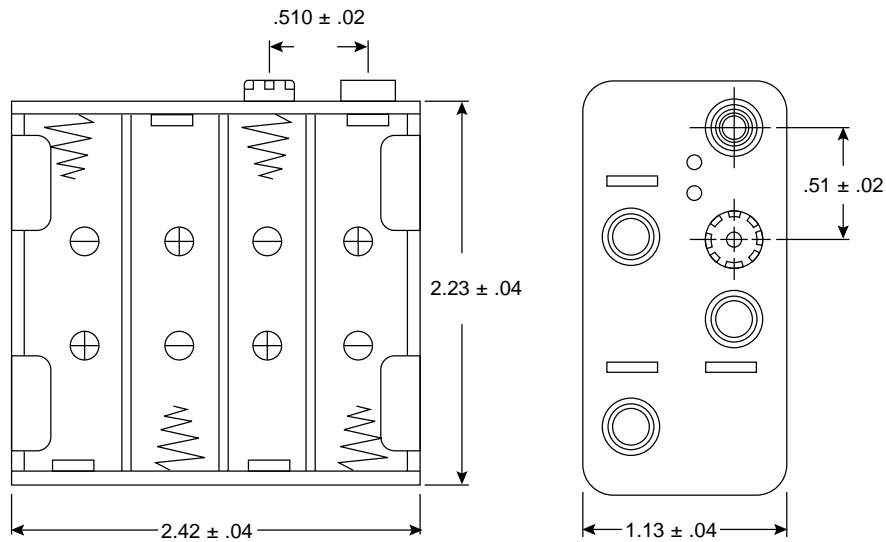
Your source for quality electronics. Toll-free full service

(800) 346-6873

<http://www.mouser.com>



Dimensions (In.)



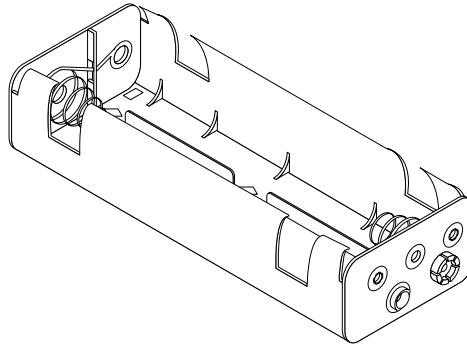
Specifications:

- Snaps: with 4 prong snap terminal
- Material: P.P. resin, black color
- Spring: 0.6mm 65C. spring wire

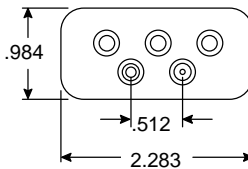
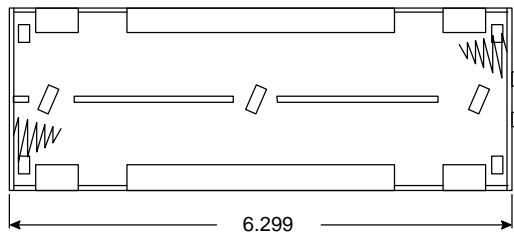
Your source for quality electronics. Toll-free full service

(800) 346-6873

<http://www.mouser.com>



Dimensions (In.)



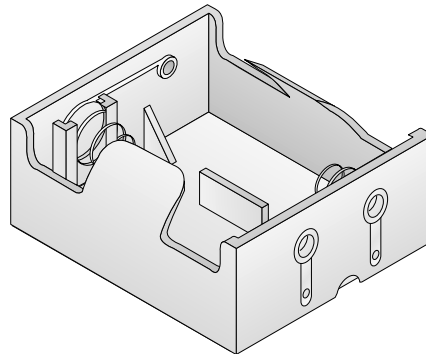
Specification:

- Holds: 6 "C" cells
- Body: polypropylene resin
- Spring: 0.8mm 65c spring wire
- Snaps, studs, rivets: nickel plated brass
- Color: black

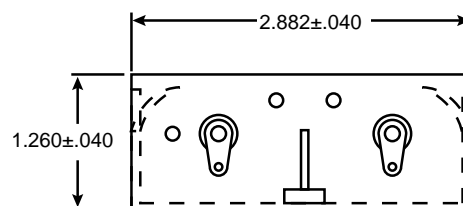
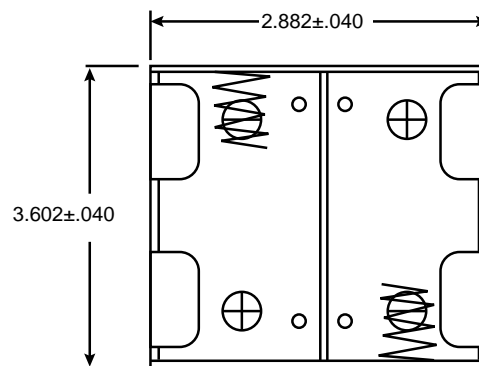
Your source for quality electronics. Toll-free full services

(800)346-6873

<http://www.mouser.com>



Dimensions (In.)

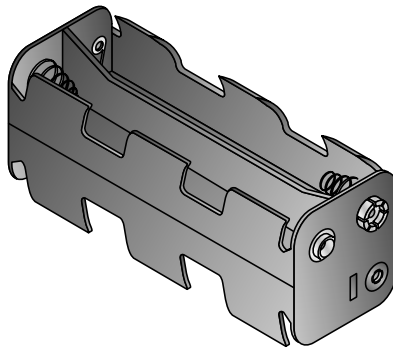


Specifications:

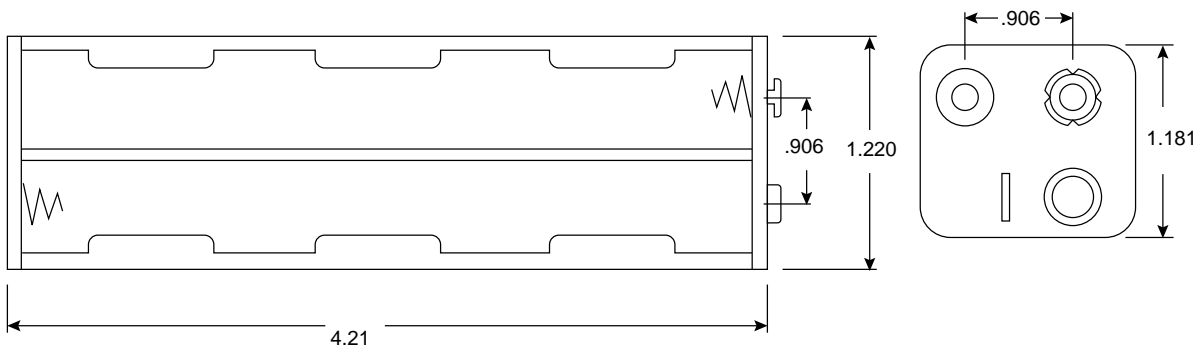
- Solder terminal: nickel plated brass
- Body: polypropylene
- Spring: .9mm 65C. spring wire
- Color: black

Your source for quality electronics. Toll-free full service

(800) 346-6873



Dimensions (In.)



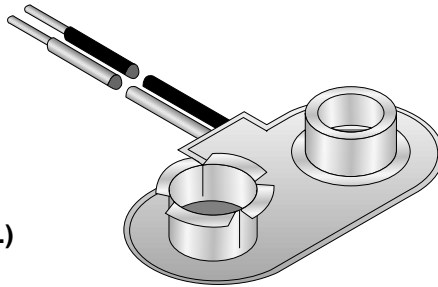
Specifications:

- Color: black
- Material: ABS plastic

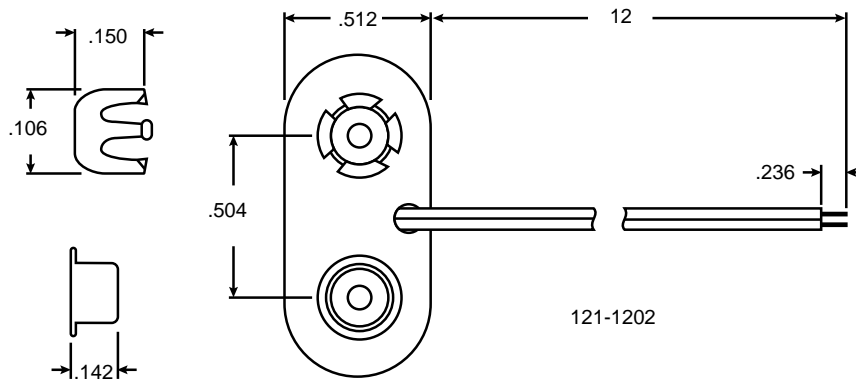
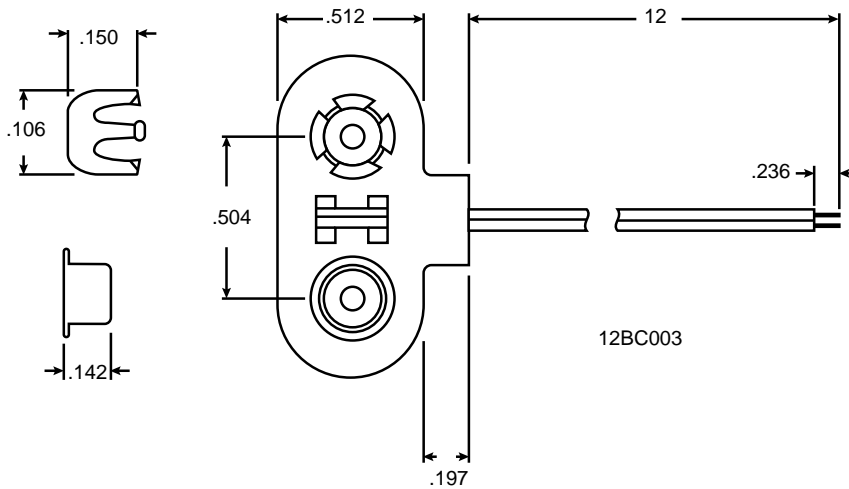
Your source for quality electronics. Toll-free full service

(800) 346-6873

<http://www.mouser.com>



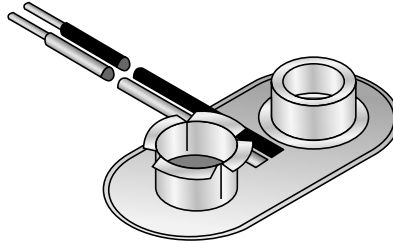
Dimensions (In.)



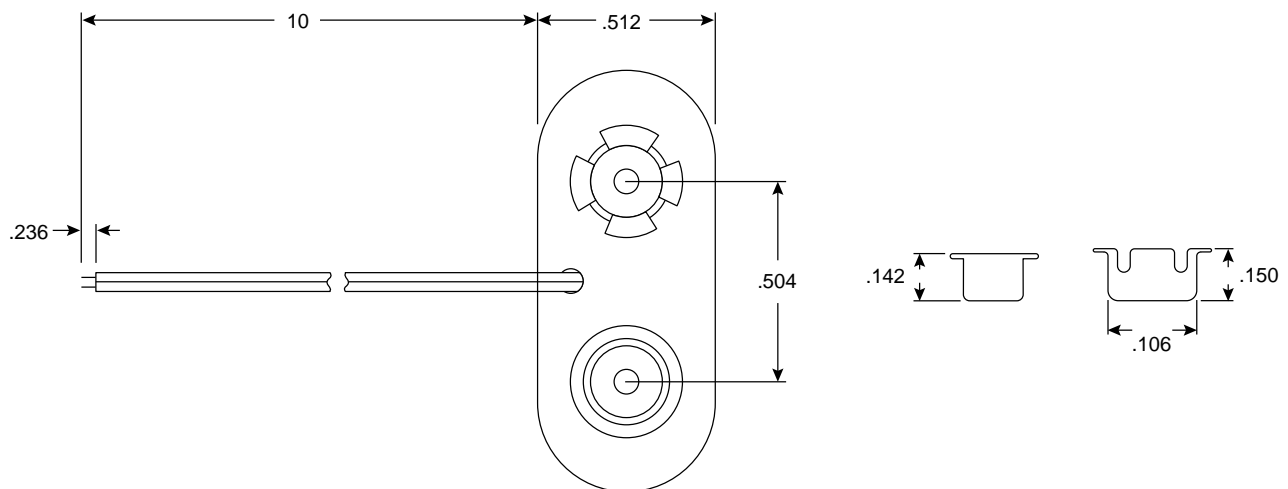
Your source for quality electronics. Toll-free full service

(800) 346-6873

<http://www.mouser.com>



Dimensions (In.)



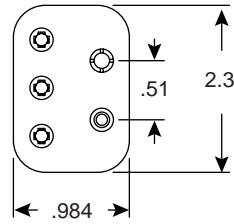
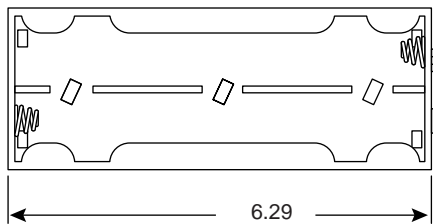
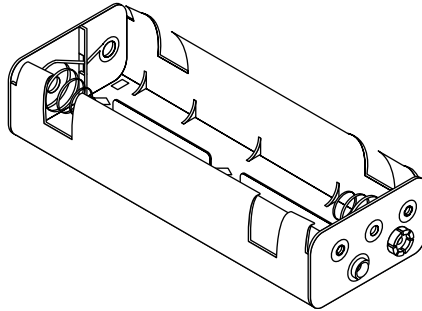
Specifications:

- UL #1007
- 4 prong external
- Contacts: nickel plated brass
- Stranded: 22AWG

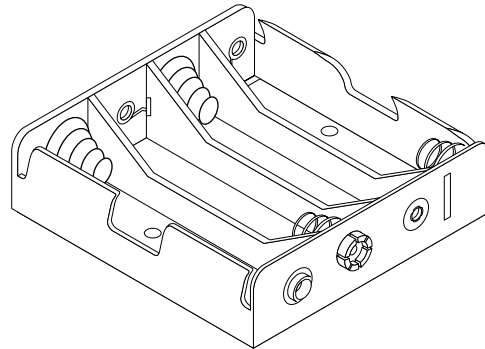
Your source for quality electronics. Toll-free full service

(800) 346-6873

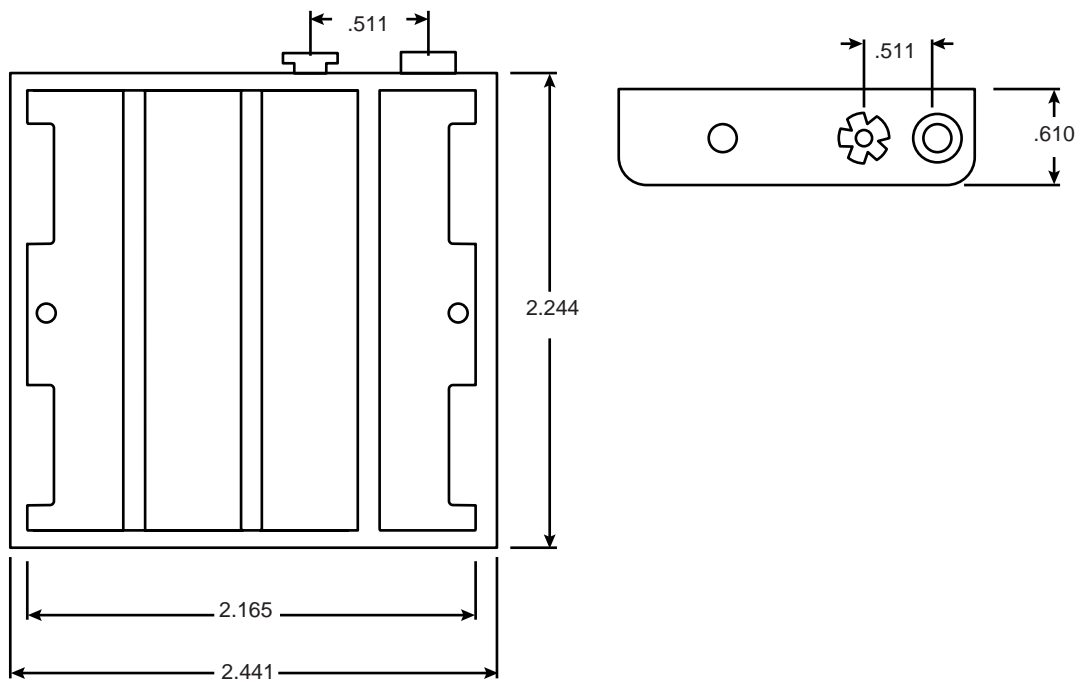
<http://www.mouser.com>

**Dimensions (In.)****Specifications:**

- Type: standard "C"
- Color: black
- Number of cells: 6
- Mini snaps: spaced .50"; 4 prong;
male = .225" (O.D.), female = .205" x (I.D.)
- Body: polypropylene
- Hardware: nickel plated
- Spring: 0.8mm 65c spring wire
- Temperature rating: -5°C ~ +95°C



Dimensions (In.)



Specifications:

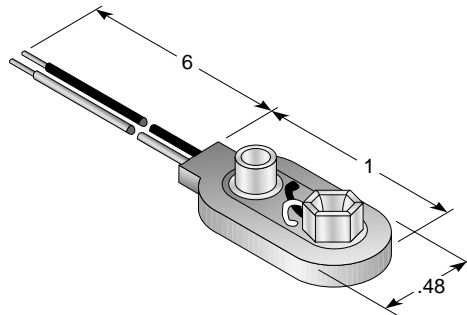
- Body: polyethylene
- Snaps, studs, rivets: nickel plated brass
- Springs: nickel plated steel
- Color: black

Your source for quality electronics. Toll-free full service

(800) 346-6873

<http://www.mouser.com>

Dimensions (In.)

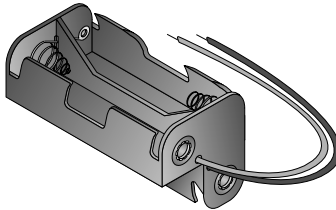
**Specifications:**

- Molded tab: ABS resin
- Snaps: nickel plated brass
- Leads: 26AWG with tinned ends
- Wire insulation: PVC
- Color: black
- .3 inches thick

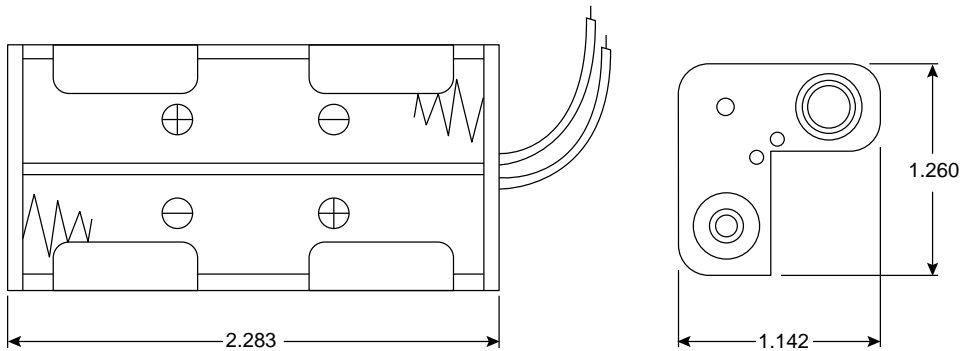
Your source for quality electronics. Toll-free full service

(800) 346-6873

<http://www.mouser.com>



Dimensions (In.)



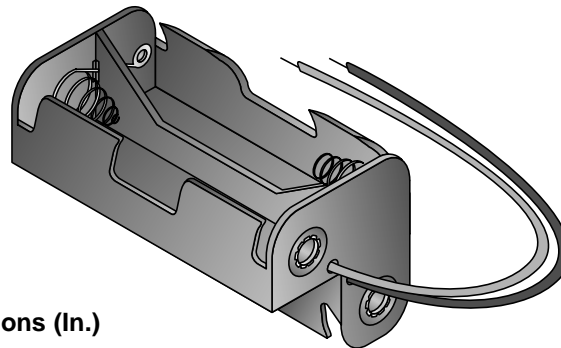
Specifications:

- Holds: 3 "AA"
- Leads: 6 inch
- Body: polypropylene
- Springs: 0.7mm 65C spring wire

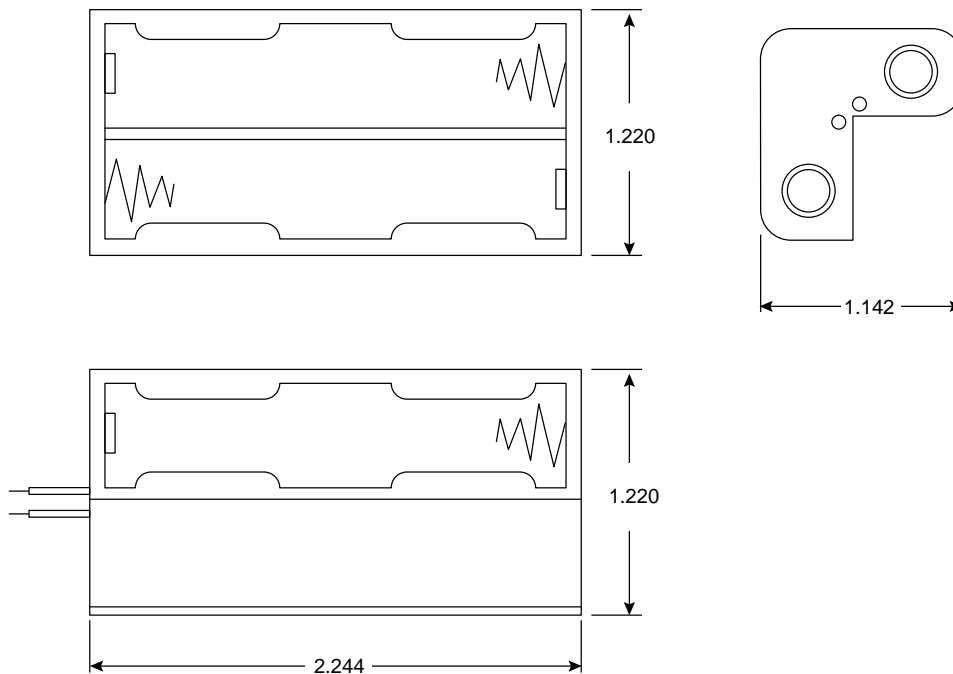
Your source for quality electronics. Toll-free full service

(800) 346-6873

<http://www.mouser.com>



Dimensions (In.)



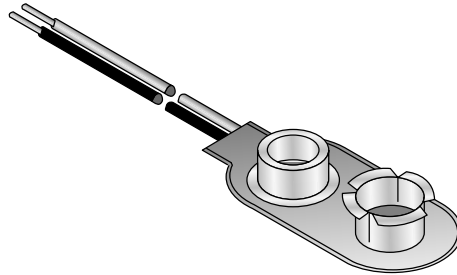
Material Specifications:

- Body: polyethylene (white)
- Springs: nickel plated steel piano wire
- Rivets, snaps: nickel plated brass
- Leads: 4.5 inches with 3/16 inches tinned, AWG 26

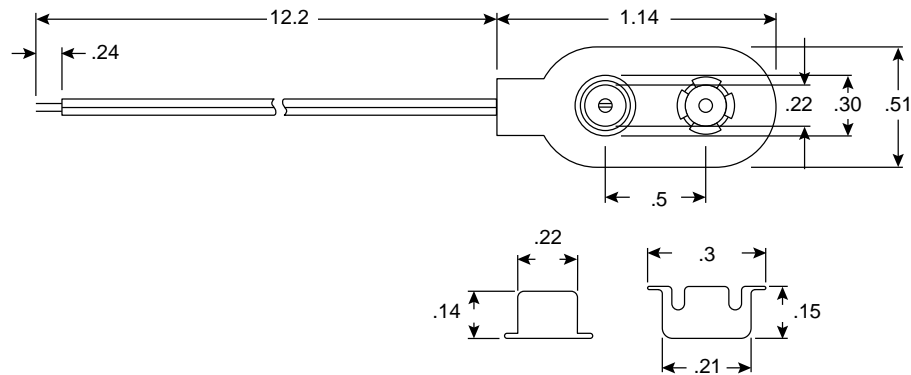
Your source for quality electronics. Toll-free full service

(800) 346-6873

<http://www.mouser.com>



Dimensions (In.)



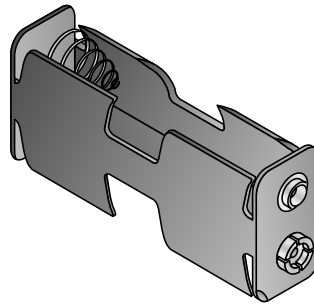
Specifications:

- Snap: nickel plated phosphor
- Housing: PVC

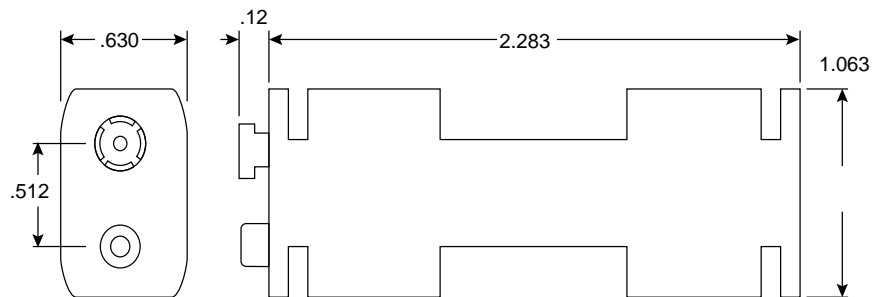
Your source for quality electronics. Toll-free full service

(800) 346-6873

<http://www.mouser.com>



Dimensions (In.)



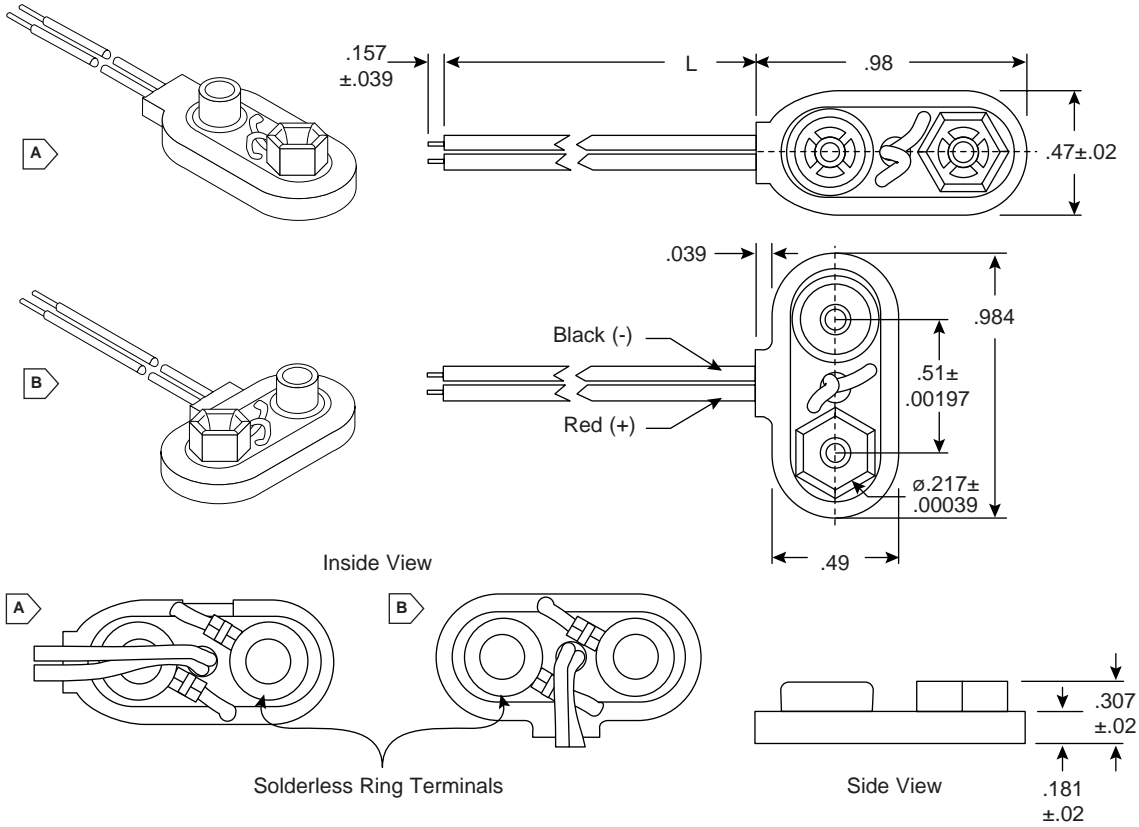
Specifications:

- Holds: 2 "AA" cells
- Color: white
- Body: polyethylene
- Snaps, rivets: nickel plated brass
- Spring: nickel plated steel piano wire

Your source for quality electronics. Toll-free full service

(800) 346-6873

<http://www.mouser.com>



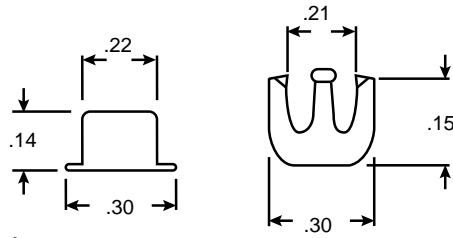
Dimensions (In.)

Specifications:

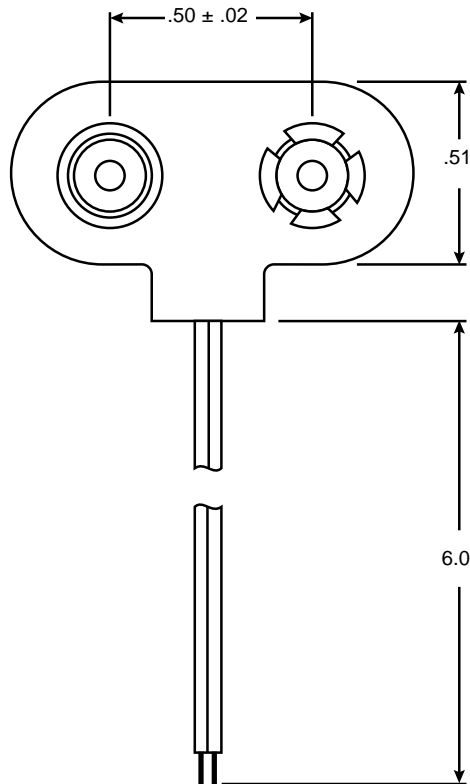
- Housing: molded ABS plastic
- Wire: stripped & tinned (26 AWG)
- Operating temperature range: 32°F~176°F
- Snaps: nickel plated brass (6 prong)
- Conductor: copper (tin overcoated)
- Ring terminals: copper
- Life cycle: 400 insertions



Mouser Stock No.	Fig.	Mouser Stock No.	Fig.	L (In.) Tol. $\pm .118$
123-5004	A	123-5014	B	3.94
123-5006	A	123-5016	B	5.9
123-5008	A	123-5018	B	7.87



Dimensions (In.)

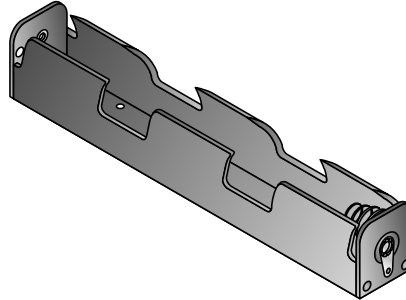
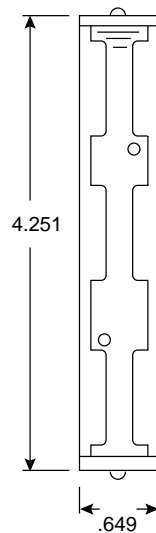
**Specifications:**

- Body: molded polyethylene
- Operating temperature range: -40°F to +185°F
- Lead wire: 24AWG UL 1007

Your source for quality electronics. Toll-free full service

(800) 346-6873

<http://www.mouser.com>

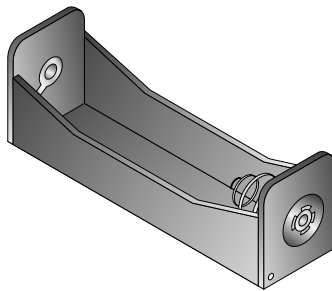
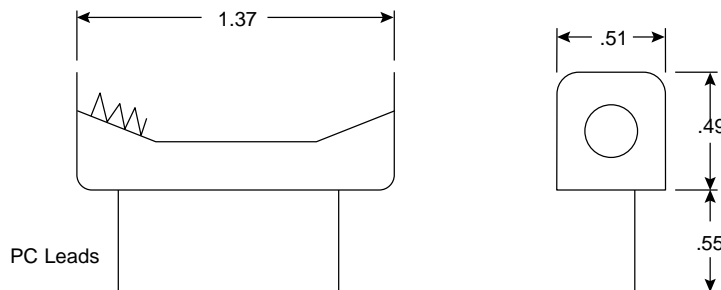
**Dimensions (In.)****Specifications:**

- Battery size: 2 x AA
- Termination: solder lugs
- Body: black molded plastic (polypropylene)
- Spring: nickel plated steel

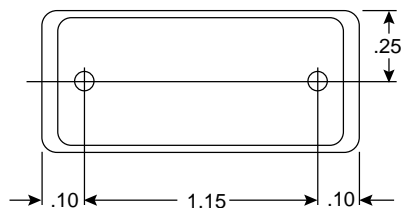
Your source for quality electronics. Toll-free full service

(800) 346-6873

<http://www.mouser.com>

**Dimensions (In.)**

PC Leads



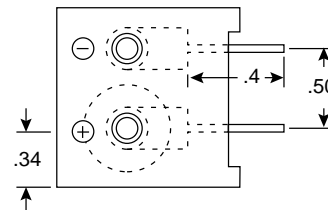
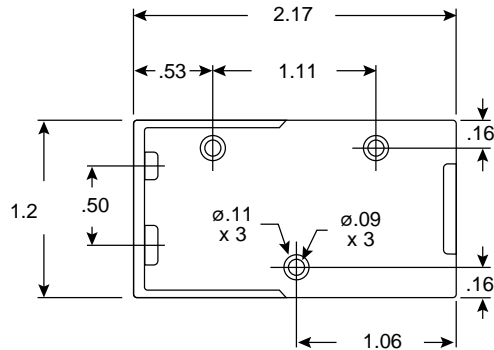
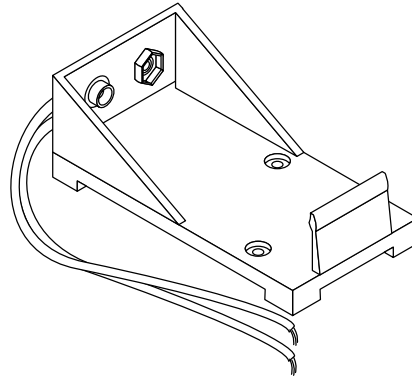
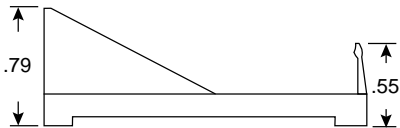
Bottom View

Specifications:

- Material: polypropylene resin
- Color: black
- Spring: .5mm, 65C nickel plated steel spring wire
- PC leads: .8mm dia. nickel plated steel spring wire
- Operating temperature: -15°C to +95°C

Your source for quality electronics. Toll-free full service

(800) 346-6873<http://www.mouser.com>



Dimensions (In.)

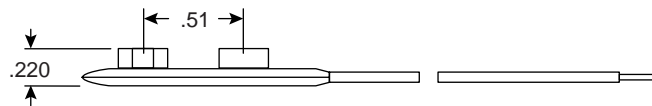
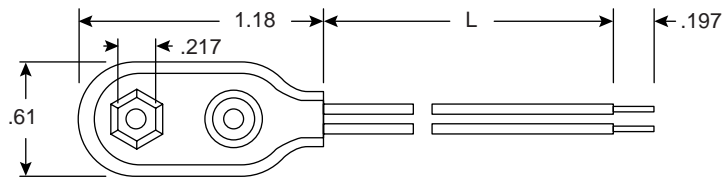
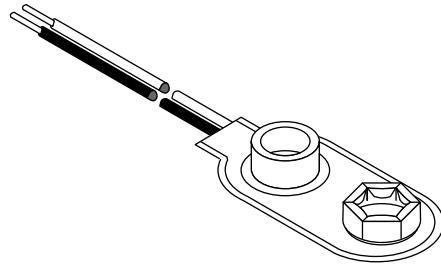
Specifications:

- 12BH610: 6" leads
- 12BH611: PC leads
- PC leads: $\varnothing.029$
- Body material: ABS 94HB
- Contacts: nickel plated steel spring
- Terminals: nickel plated brass, snap fastener male/female terminals
- Color: black
- Temperature range: $-40^{\circ}\text{C} \sim +85^{\circ}\text{C}$
- Weight: 7.5 grams
- Temperature rating: 80°C
- UL flammability rating: none

Your source for quality electronics. Toll-free full service

(800) 346-6873

<http://www.mouser.com>

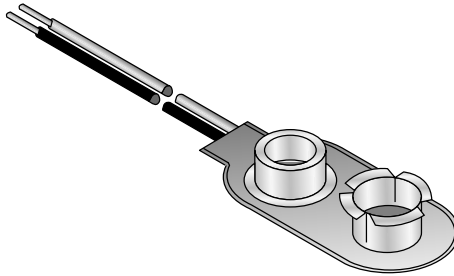


Dimensions (In.)

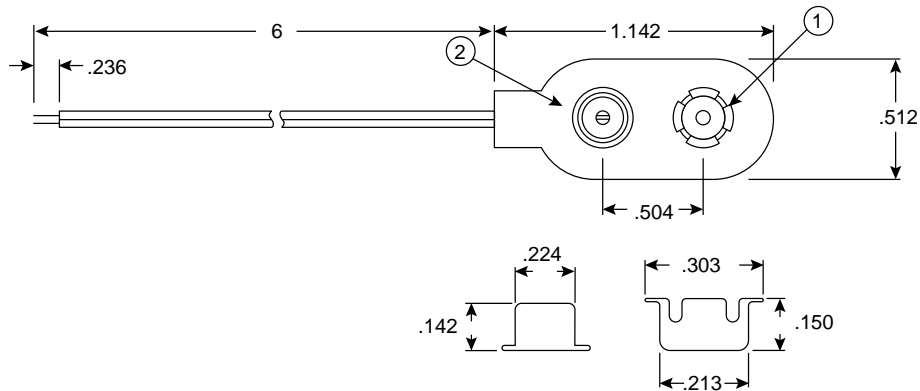
Mouser Stock No.	L (In.)
123-6004	4
123-6005	5
123-6006	6
123-6008	8

Specifications:

- Wire type: 26 AWG, stripped & tinned, UL/CSA 1007
- Contacts: 6 prong, nickel plated brass
- Jacket: silver, PVC
- Leads: UL listed
- Pull test: withstand 18 lbs. of force from any direction
- Other: conform to IEC standards (130-1 &130-3)



Dimensions (In.)



1. Nickel plated bronze
2. PVC

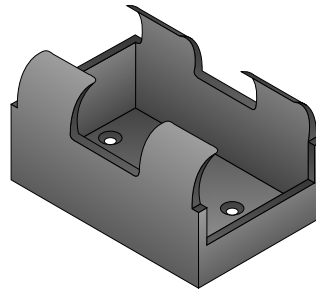
Specifications:

- Contacts: nickel plated brass
- Spacing between snap connections: .5 inches
- Male snap: .225 inches (O.D.)
- Female snap: .205 inches (O.D.)
- Wire lead: (UL listed) 22 AWG
- Lead length: 6 inches

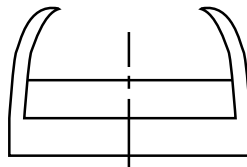
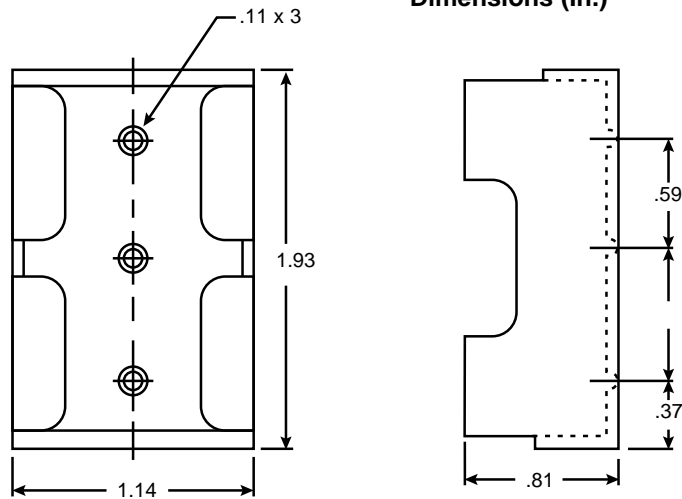
Your source for quality electronics. Toll-free full service

(800) 346-6873

<http://www.mouser.com>



Dimensions (In.)

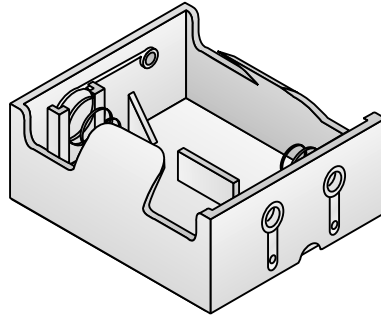
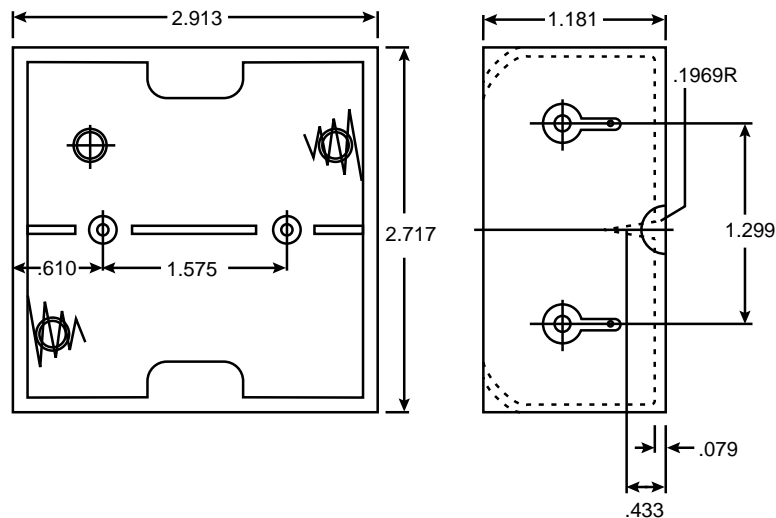
**Specifications:**

- Material: polyethylene (black)
- Recommended temperature range: -58°F to 149°F

Your source for quality electronics. Toll-free full service

(800) 346-6873

<http://www.mouser.com>

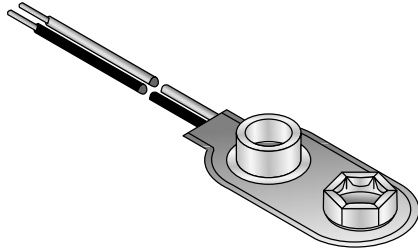
**Dimensions (In.)****Specifications:**

- Color: white
- Body: polyethylene
- Springs: nickel plated steel piano wire
- Rivets, eyelets: nickel plated brass
- Terminals: solder lugs (nickel plated brass)
- Holds: 2 x D

Your source for quality electronics. Toll-free full service

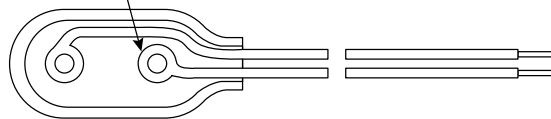
(800) 346-6873

<http://www.mouser.com>

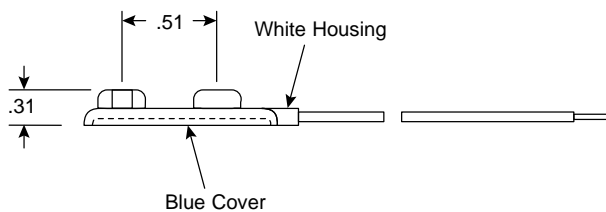
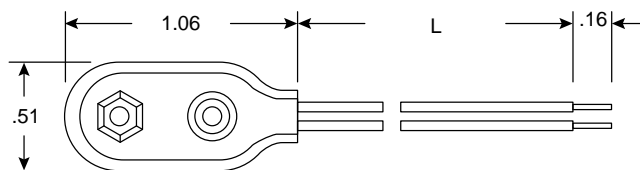


Mouser Stock No.	L
123-7014	4
123-7016	6
123-7020	10

Solderless Ring Terminals



Inside View



Dimensions (In.)

Specifications:

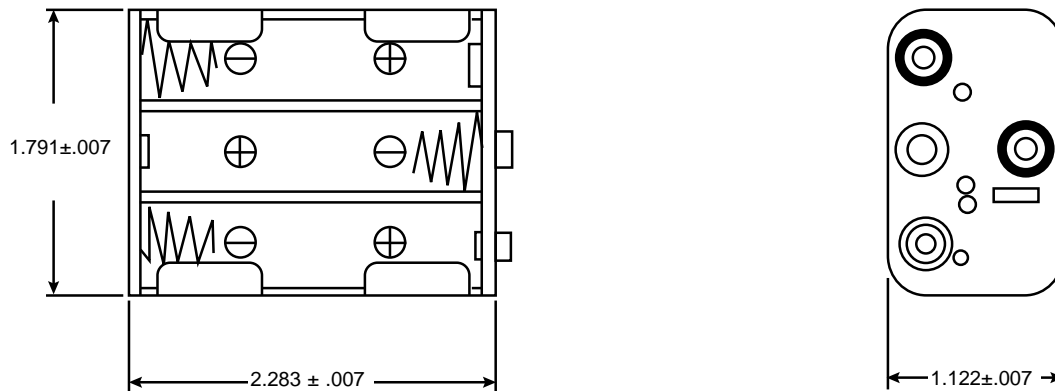
- High reliability 6 prong nickel plated brass snaps
- Attractive white housing with light blue cover made of polypropylene
- Precision riveting-no cracks or bursts
- UL/CSA 1007 24AWG stripped and tinned wire
- Solderless ring terminals eliminated cold solder joints

Your source for quality electronics. Toll-free full service

(800) 346-6873

<http://www.mouser.com>

Dimensions (In.)

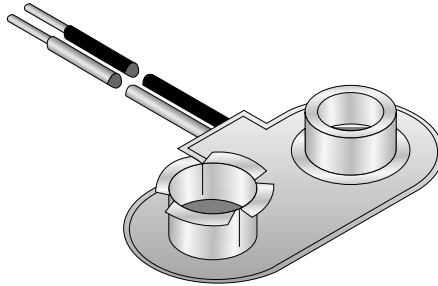


Specification:

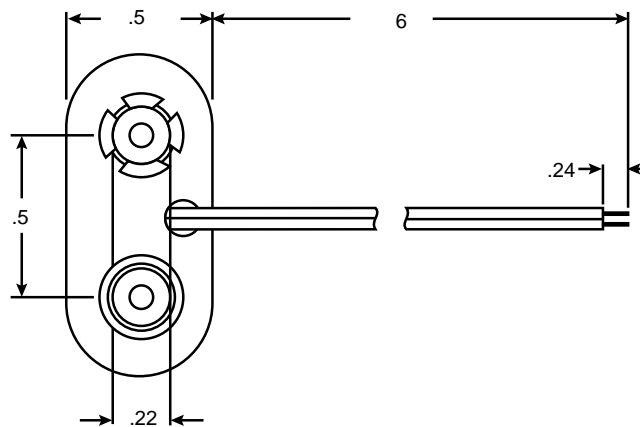
- Material: P.P. resin, black color
- Spring: 0.7m/m 65C spring wire
- Solder tab: copper plated tinned
- Snap: copper plated nickel
- Leads (wire): 26AWG
- 7 strand copper twisted then tinned PVC jacket
- Body: black polypropylene
- Rivets: nickel plated brass
- Springs: nickel plated steel piano wire
- Snaps: 4 prong

Your source for quality electronics. Toll-free full service

(800) 346-6873



Dimensions (In.)



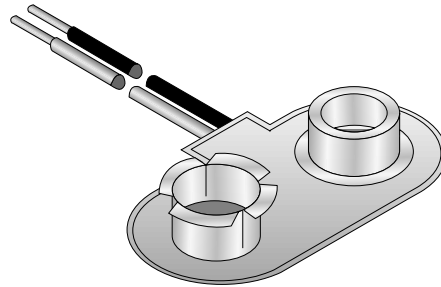
Specifications:

- PVC insulator color: black
- Contacts: (4 prong) nickel plated brass
- Leads: stripped and tinned
- Leads polarity color coded: (red (+) / (-) black
- Stranded wire leads: 26AWG UL 1007
- Max. operating temperature: 176°F

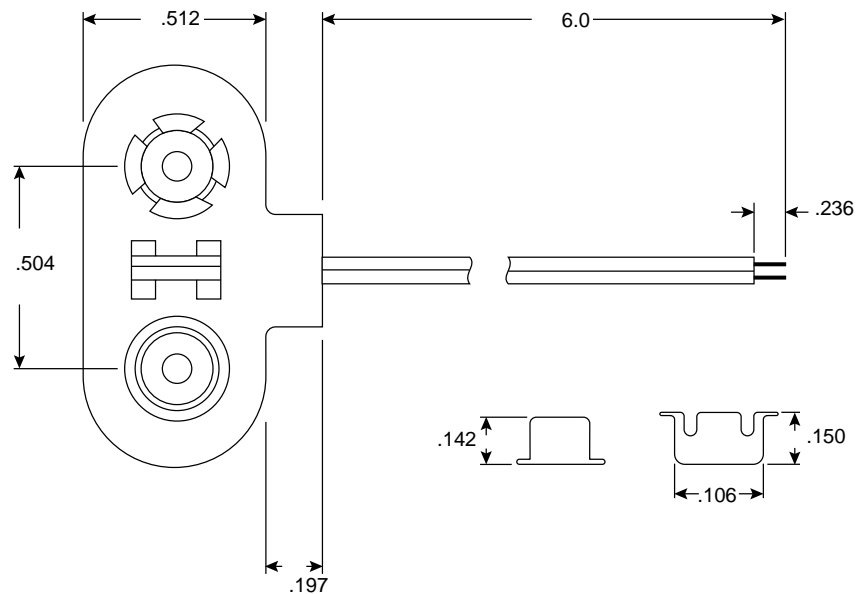
Your source for quality electronics. Toll-free full service

(800) 346-6873

<http://www.mouser.com>



Dimensions (In.)



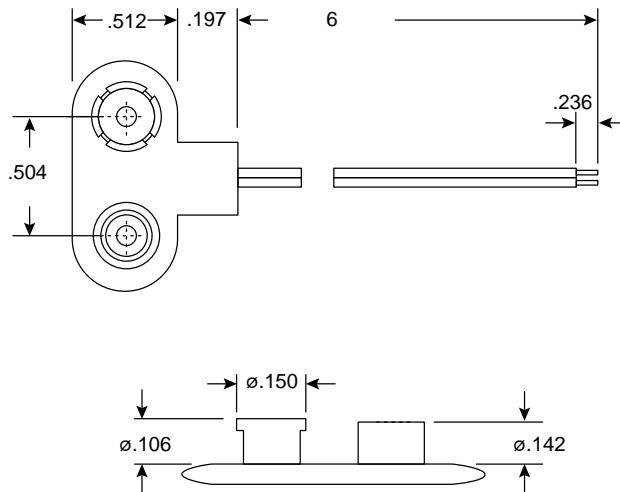
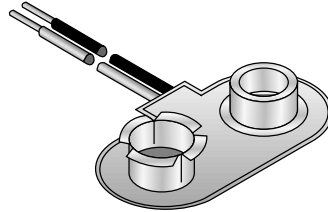
Specifications:

- PVC insulator color: black
- Contacts: (4 prong) nickel plated brass
- Leads: stripped and tinned
- Leads polarity color coded: (red(+)) / (-) black
- Stranded wire leads: 26 AWG
- Operating temperature range: 176°F

Your source for quality electronics. Toll-free full service

(800) 346-6873

<http://www.mouser.com>



Dimensions (In.)

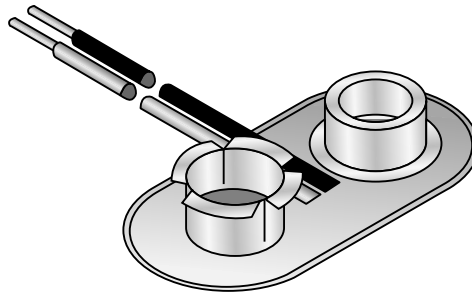
Specifications:

- Color: black PVC insulator
- Contacts: nickel plated brass (4 prongs)
- Leads: stripped and tinned
- Leads polarity color coded: [red (+) / (-) black]
- 26 AWG UL 1007 stranded wire leads
- Operating temperature: range to 176° F.

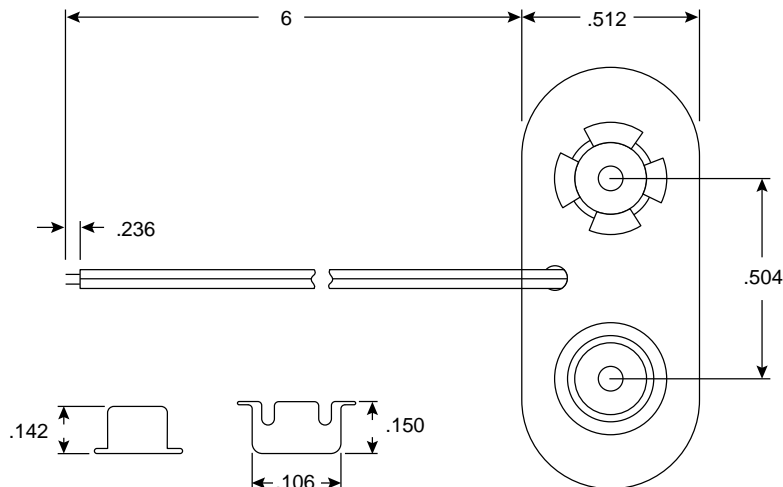
Your source for quality electronics. Toll-free full service

(800) 346-6873

<http://www.mouser.com>



Dimensions (In.)



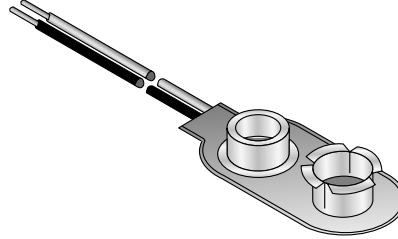
Specifications:

- PVC insulator: black
- Contacts (4 prongs): nickel plated brass
- Leads: stripped and tinned
- Leads polarity color coded: red (+) / (-) black
- Stranded wire leads: 24AWG UL 1007
- Operating temperature range: 176°F

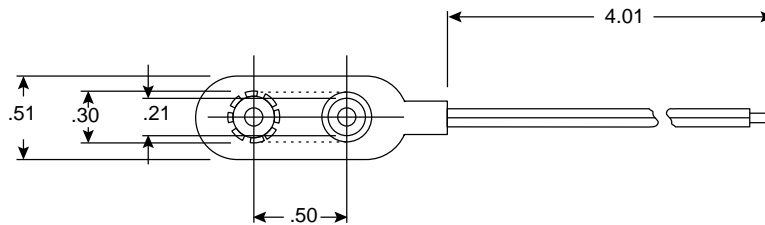
Your source for quality electronics. Toll-free full service

(800) 346-6873

<http://www.mouser.com>



Dimensions (In.)



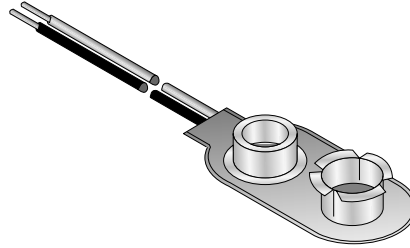
Specifications:

- PVC insulator color: black
- Contacts: (4 prong) nickel plated brass
- Leads: stripped and tinned
- Leads polarity color coded: (red (+) / (-) black)
- Stranded wire leads: 26AWG
- Max. operating temperature: 176°F

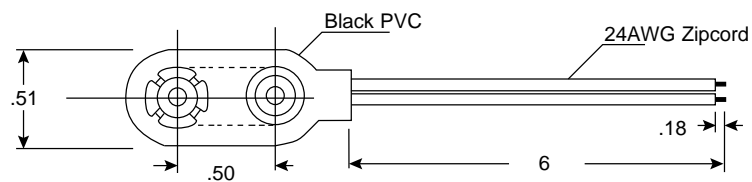
Your source for quality electronics. Toll-free full service

(800) 346-6873

<http://www.mouser.com>



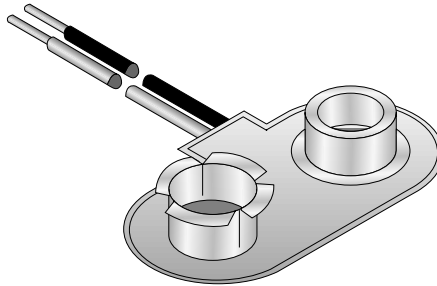
Dimensions (In.)



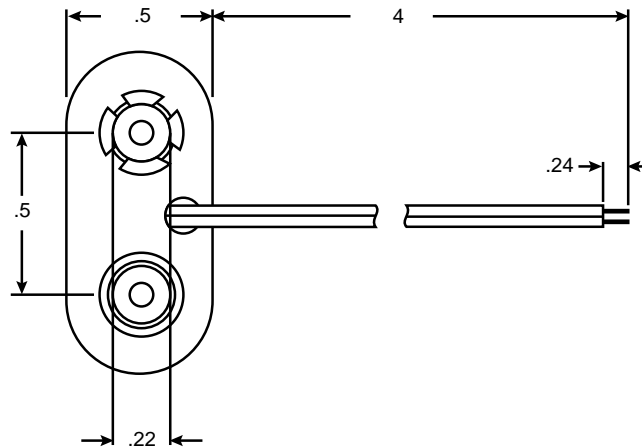
Specifications:

- Insulator: black color PVC
- Contacts: (4 prong) nickel plated brass
- Leads: stripped and tinned
- Leads polarity color coded: black (+) / (-) black w/ white stripe
- Stranded wire leads: 24AWG parallel (zipcord)

Your source for quality electronics. Toll-free full service
(800) 346-6873



Dimensions (In.)



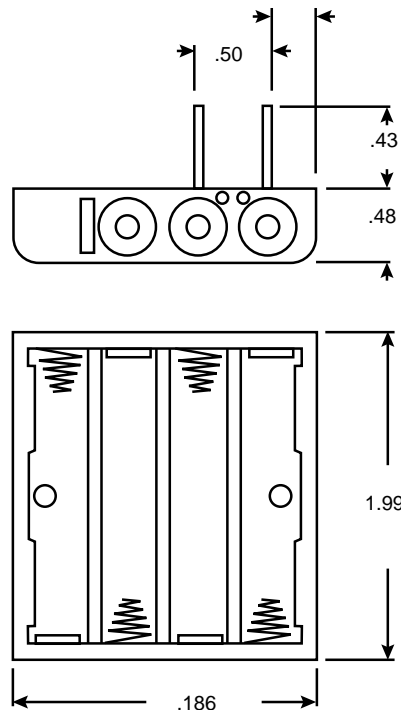
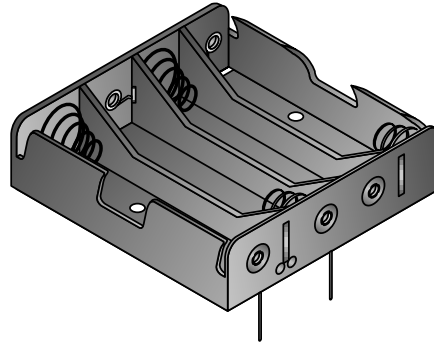
Specifications:

- PVC insulator color: black
- Contacts: (4 prong) nickel plated brass
- Leads: stripped and tinned
- Leads polarity color coded: (red (+) / (-) black
- Stranded wire leads: 26AWG UL 1007
- Max. operating temperature: 176°F

Your source for quality electronics. Toll-free full service

(800) 346-6873

<http://www.mouser.com>



Dimensions (In.)

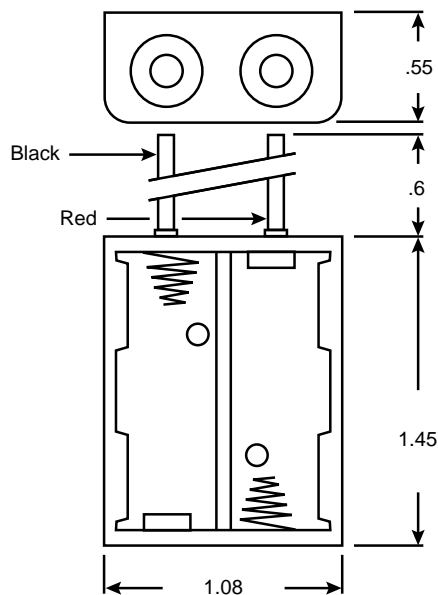
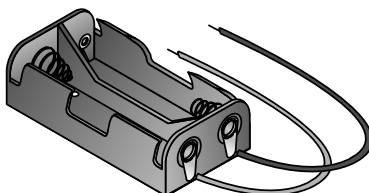
Specifications:

- Battery size: 4 x AAA
- Termination: PC pins
- Operating temperature range: -5°C to 70°C
- Materials: body-black molded plastic (polypropylene)
- Springs: nickel plated steel (.8mm/.031" dia.)
- PC pins: nickel plated steel (1mm/.039" dia.), spaced .50"
- Rivets: nickel plated brass

Your source for quality electronics. Toll-free full service

(800) 346-6873

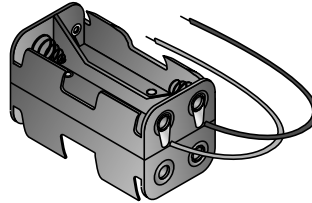
<http://www.mouser.com>

**Dimensions (In.)****Specifications:**

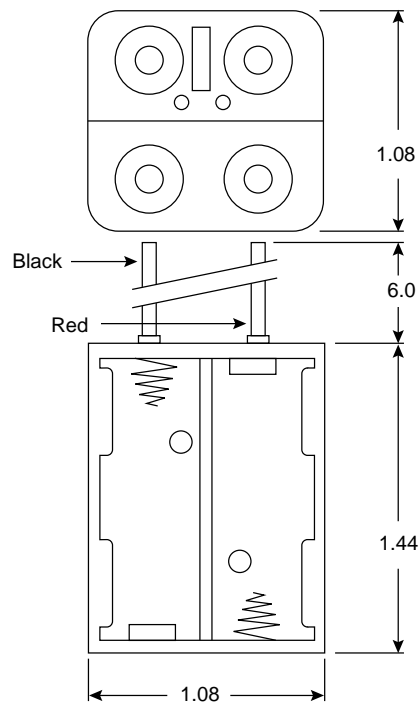
- Holds: 2 x N
- Termination: 6" wire leads (connected to solder lugs)
- Operating temperature range: -5°C to +70°C
- Materials: body-black molded plastic (polypropylene)
- Springs: nickel plated steel (.8mm/.031" dia.)
- Leads: 26 AWG UL 1007, stripped and tinned 3/16", polarity color coded [red (+)]/(-) black]
- Rivets: nickel plated brass

Your source for quality electronics. Toll-free full service

(800) 346-6873



Dimensions (In.)



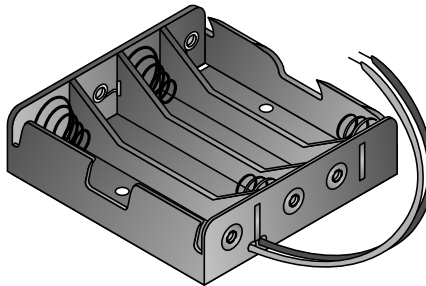
Specifications:

- Battery size: 4 x N
- Termination: 6" wire leads
- Operating temperature range: -5°C to +70°C
- Materials: body-black molded plastic (polypropylene)
- Springs: nickel plated steel (.8mm / .031" dia.)
- Leads: 26 AWG UL 1007, stripped and tinned 3/16", polarity color coded [red (+) / (-) black]
- Rivets: nickel plated brass

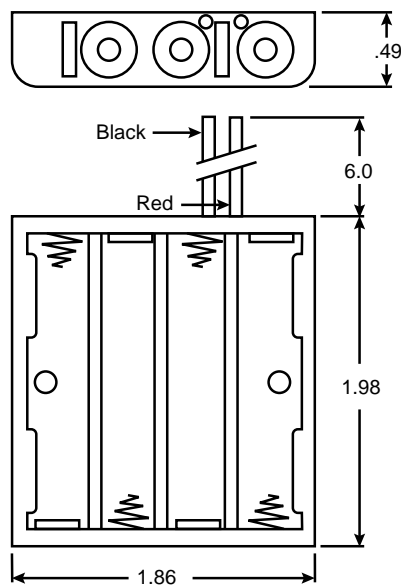
Your source for quality electronics. Toll-free full service

(800) 346-6873

<http://www.mouser.com>



Dimensions (In.)



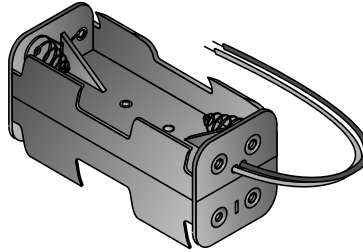
Specifications:

- Battery size: 4 x AAA
- Termination: 6" wire leads
- Operating temperature range: -5°C to +70°C
- Materials: body-black molded plastic (polypropylene)
- Springs: nickel plated steel (.8mm / .031" dia.)
- Leads: 26 AWG UL 1007, stripped and tinned 3/16", polarity color coded [red (+) / (-) black]
- Rivets: nickel plated brass

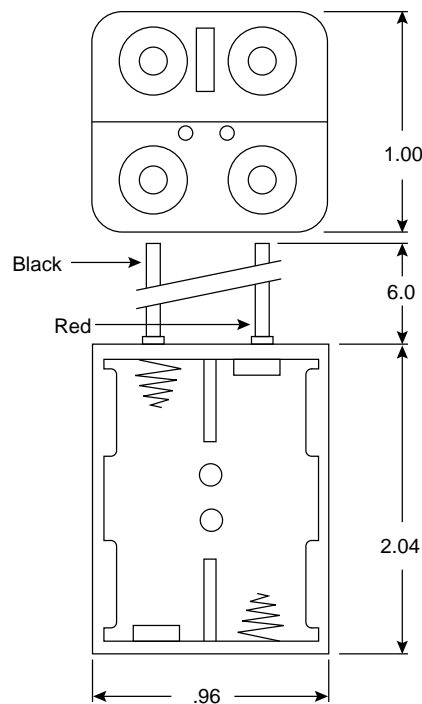
Your source for quality electronics. Toll-free full service

(800) 346-6873

<http://www.mouser.com>



Dimensions (In.)



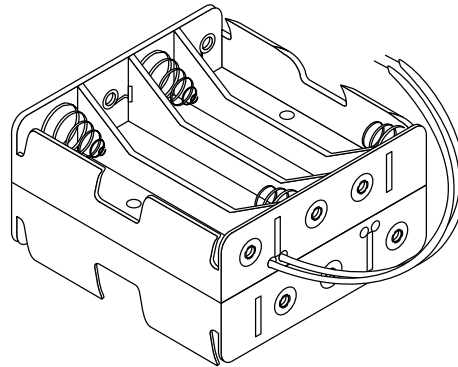
Specifications:

- Battery size: 4 x AAA
- Termination: 6" wire leads
- Operating temperature range: -5°C to +70°C
- Materials: body-black molded plastic (polypropylene)
- Springs: nickel plated steel (.8mm / .031" dia.)
- Leads: 26 AWG UL 1007, stripped and tinned 3/16", polarity color coded [red (+) / (-) black]
- Rivets: nickel plated brass

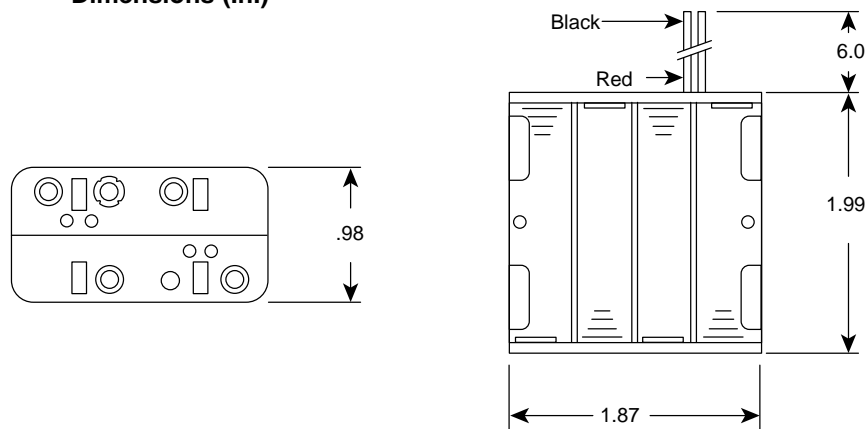
Your source for quality electronics. Toll-free full service

(800) 346-6873

<http://www.mouser.com>



Dimensions (In.)



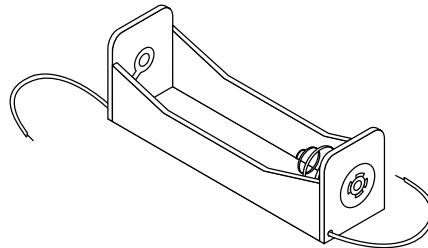
Specifications:

- Battery size: AAA x 8
- Termination: 6" wire leads
- Operating temperature range: -5°C to +70°C
- Materials: body-black molded plastic (polypropylene)
- Springs: nickel plated steel (.8mm / .031" dia.)
- Leads: 26 AWG UL 1007, stripped and tinned 3/16", polarity color coded [red (+) / (-) black]
- Rivets: nickel plated brass

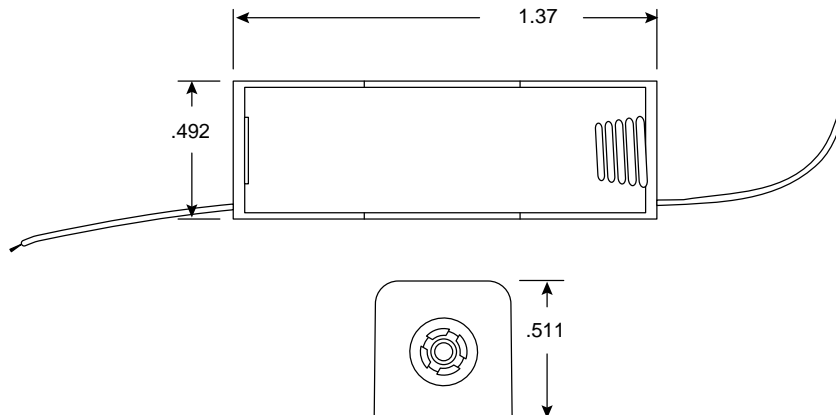
Your source for quality electronics. Toll-free full service

(800) 346-6873

<http://www.mouser.com>



Dimensions (In.)



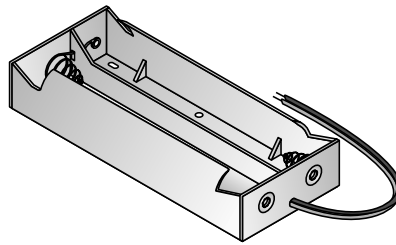
Specifications:

- Cell: holds 1 N
- Body: molded, black plastic
- Springs & rivets: nickel plated
- Corrosion resistant
- Choice of 6 inch leads (12BH510) or solder lugs (12BH511)

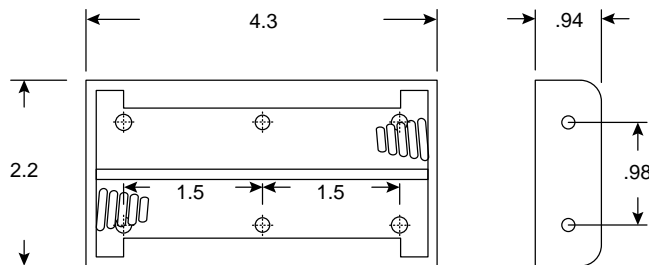
Your source for quality electronics. Toll-free full service

(800) 346-6873

<http://www.mouser.com>



12BH249 Shown



Dimensions (In.)

12BH248 Specifications:

- Number of cells: 4 cells
- Color: white
- Description: Mini snaps spaced .50 inches

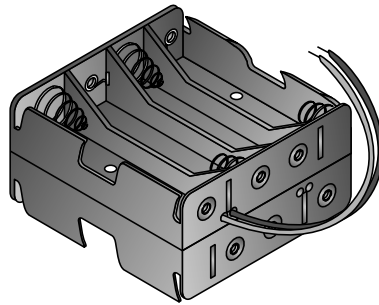
12BH249 Specifications:

- Number of cells: 4 cells
- Color: white
- Description: 8 inch leads-tinned 3/16 inches

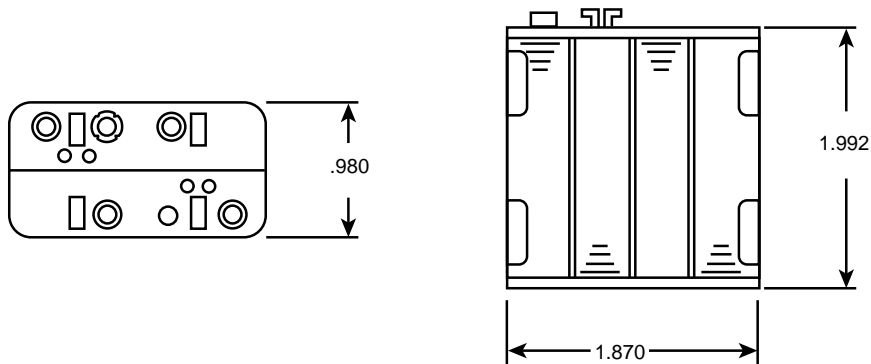
Your source for quality electronics. Toll-free full service

(800) 346-6873

<http://www.mouser.com>



Dimensions (In.)



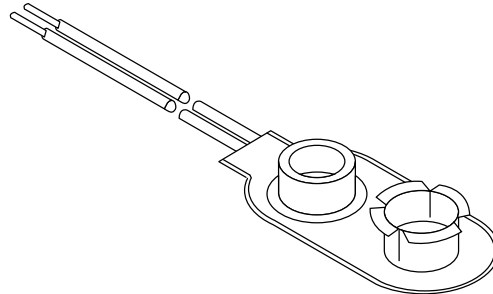
Specifications:

- Number of cells: 8
- Color: black
- Lead length: 6", stripped & tinned 3/16"

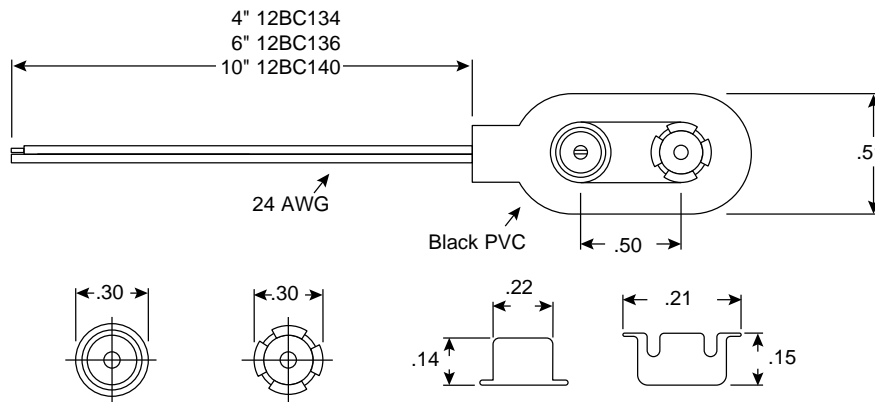
Your source for quality electronics. Toll-free full service

(800) 346-6873

<http://www.mouser.com>



Dimensions (In.)



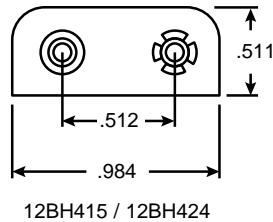
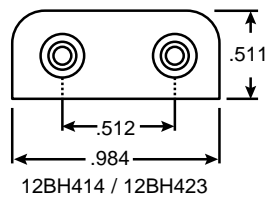
Specifications:

- 24 AWG 11-strand tin plated copper wire leads (UL 1007; CSA LL69583)
- Operating temperature: -15°C to +90°C
- Pull test: 1.5Kgs (straight direction) for 1 minute
- Black insulation cover
- Contacts are nickel plated brass
- PVC insulated leads are stripped and pre-tinned
- Leads polarity color coded: (red +) / (-) black
- 4 prong contact

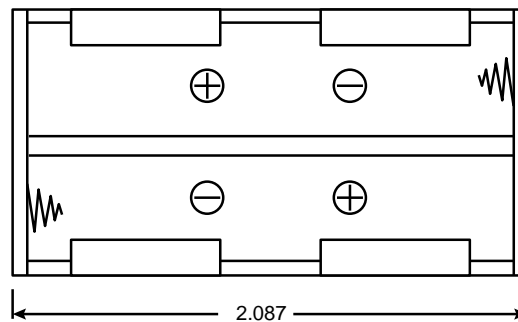
Your source for quality electronics. Toll-free full service

(800) 346-6873

<http://www.mouser.com>



Dimensions (In.)



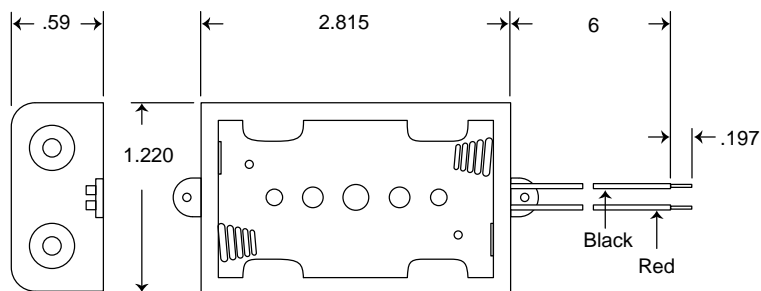
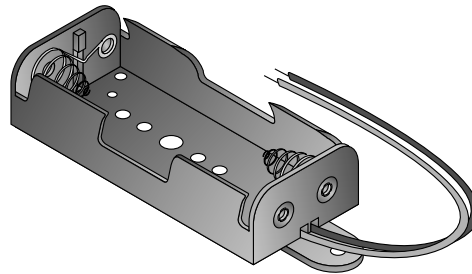
Specifications:

- Wire leads: 26AWG x 5.9 (12BH413 / 12BH421)
- Holds: 2 x AAA
- PCB leads: .03 x .43 (12BH414 / 12BH423)
- Terminal: 4 prong copper snap (12BH415 / 12BH424)
- Material: P.P. resin
- Color: black
- Springs: .6mm, 65C, spring wire

Your source for quality electronics. Toll-free full service

(800) 346-6873

<http://www.mouser.com>



Dimensions (In.)

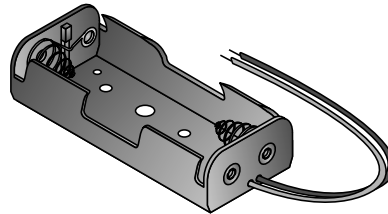
Specifications:

- Battery size: AA x 2
- Termination: 6 in. wire leads
- Operating temperature range: -5°C to 70°C
- Body: black molded plastic (polypropylene)
- Springs: Nickel plated steel (.8mm/.031 in. dia.)
- Leads: 26 AWG UL 1007, stripped and tinned 3/16 in., polarity color coded [red (+)]/(-) black]
- Rivets: nickel plated brass

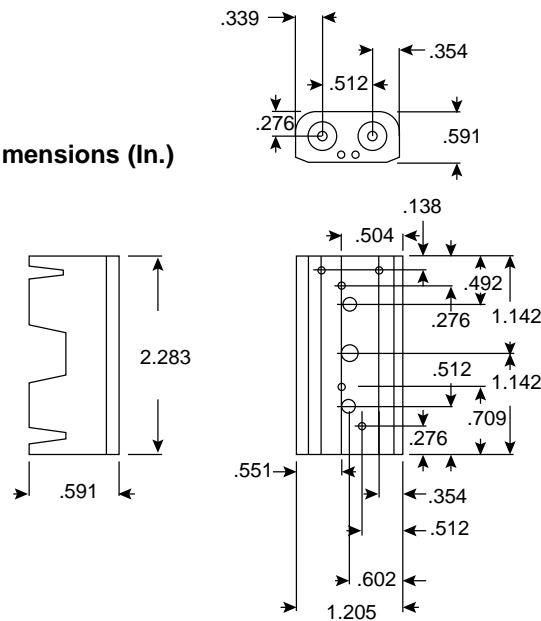
Your source for quality electronics. Toll-free full service

(800) 346-6873

<http://www.mouser.com>



Dimensions (In.)



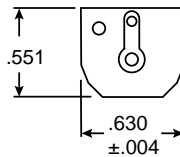
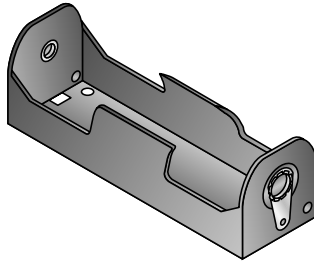
Specifications:

- Housing material: unbreakable plastic
- Hardware: nickel-plated
- No of cells: 2 AA
- 6" leads-tinned 3/16"
- Color: black

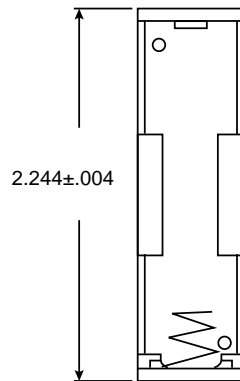
Your source for quality electronics. Toll-free full service

(800) 346-6873

<http://www.mouser.com>



Dimensions (In.)



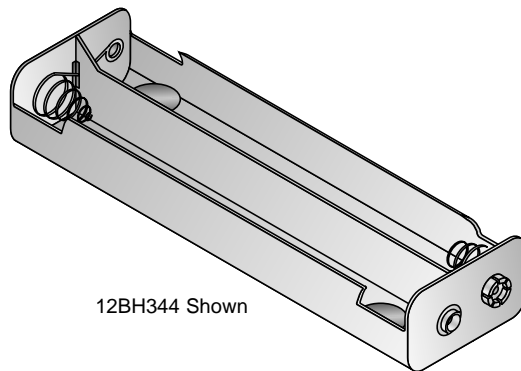
Specifications:

- Housing material: unbreakable plastic
- Hardware: nickel-plated
- No of cells: 1 AA
- Color: black
- Solder tabs

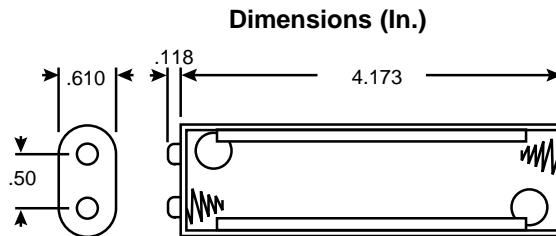
Your source for quality electronics. Toll-free full service

(800) 346-6873

<http://www.mouser.com>



12BH344 Shown



Material Specifications:

- Body: polyethylene
- Springs: nickel plated steel piano wire
- Rivets: nickel plated brass
- Snaps for 12BH344: nickel plated brass
- Solder tabs for 12BH352: nickel plated brass

Electrical Specifications:

- Operating temperature range: -10°C up to +60°C with 80°C max.

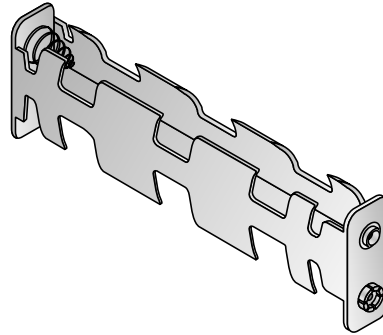
Specifications:

- 12BH344: with mini snaps spaced .50"
- 12BH352: solder tabs
- No. of cells: 4AA
- Color: white

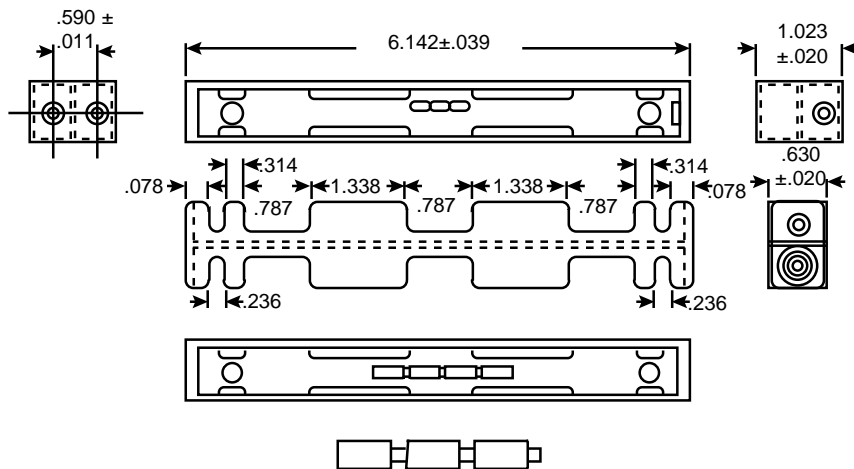
Your source for quality electronics. Toll-free full service

(800) 346-6873

<http://www.mouser.com>



Dimensions (In.)



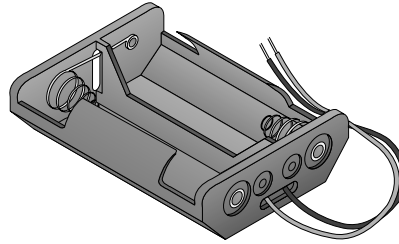
Specifications:

- Battery snap: nickel plated brass
- Spring: .026" dia., nickel plated piano wire
- Battery holder: polyethylene
- Contact: nickel plated brass
- No. of cells: 6 x AA
- Mini snaps: spaced .50"

Your source for quality electronics. Toll-free full service

(800) 346-6873

<http://www.mouser.com>

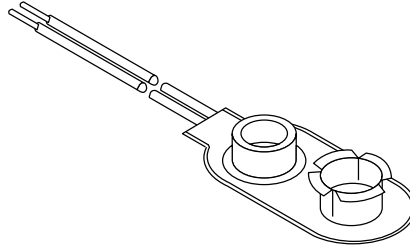


Dimensions (In.)

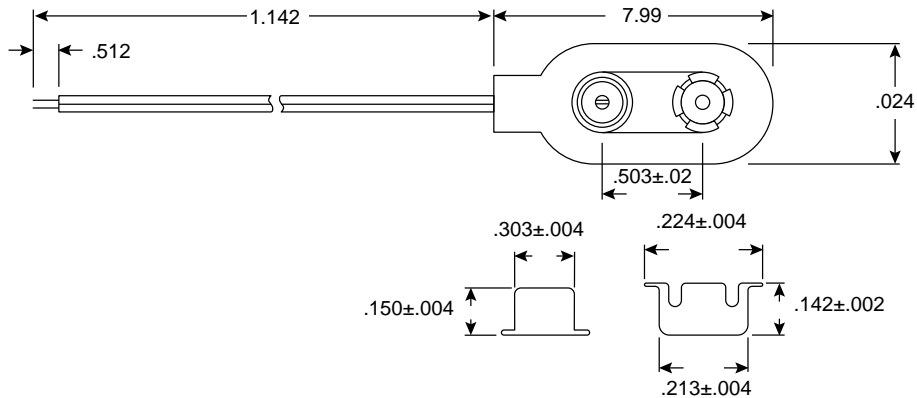
Specifications:

- Battery size: D x 2
- Termination: 8" wire leads
- Operating temperature range: -5°C to +70°C
- Materials: body-black molded plastic (polypropylene)
- Springs: nickel plated steel (1mm / .039" dia.)
- Leads: 24 AWG UL 1007, stripped and tinned 3/16", polarity color coded [red (+) / (-) black]
- Rivets: nickel plated brass

Your source for quality electronics. Toll-free full service
(800) 346-6873



Dimensions (In.)



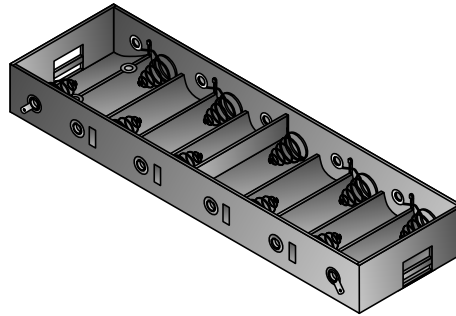
Specifications:

- Material: bronze with nickel plated finish
- Wire: 26 AWG
- Insulation thickness: .057"

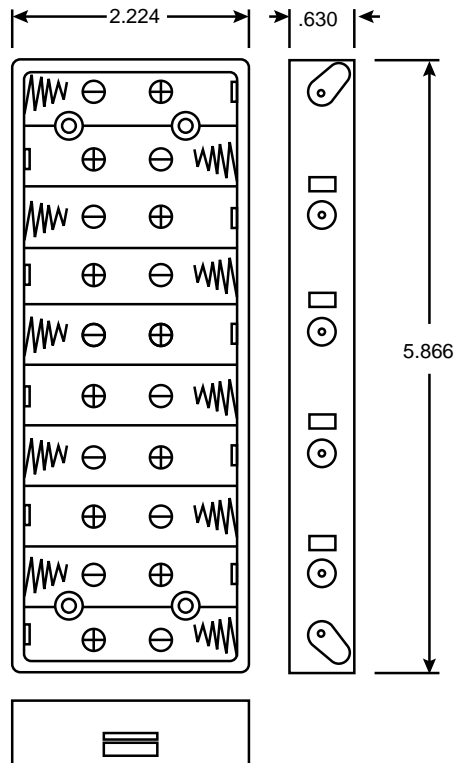
Your source for quality electronics. Toll-free full service

(800) 346-6873

<http://www.mouser.com>



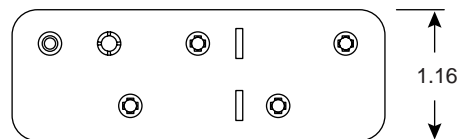
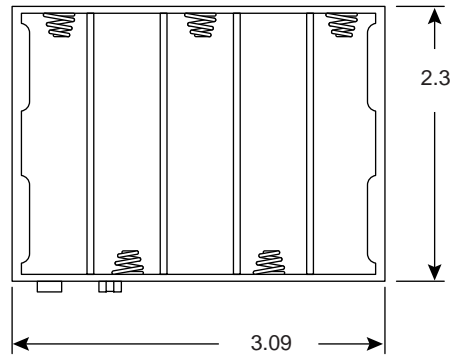
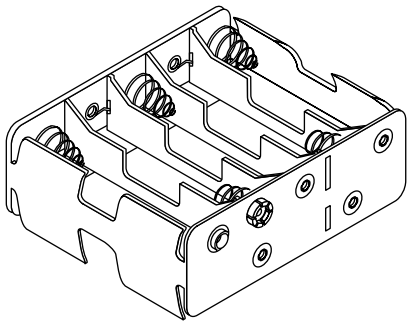
Dimensions (In.)



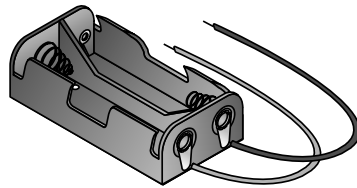
Specifications:

- Solder terminal
- Material: ABS resin
- Color: black
- Spring: 0.7m/m 65c spring wire
- Heat resisting: ABS 85°C

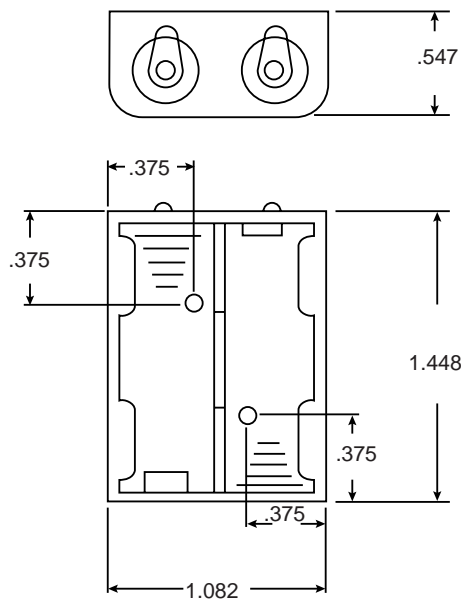
Your source for quality electronics. Toll-free full service
(800) 346-6873

**Dimensions (In.)****Specifications:**

- Type: standard "AA"
- Color: black
- Number of cells: 10
- Mini snaps: spaced .50"; 4 prong;
male = .225" (O.D.), female = .205" x (I.D.)
- Body: polypropylene
- Hardware: nickel plated
- Spring: 0.7mm 65c spring wire
- Temperature rating: -5°C ~ +95°C



Dimensions (In.)



Material Specifications:

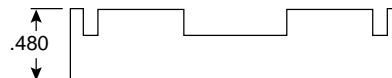
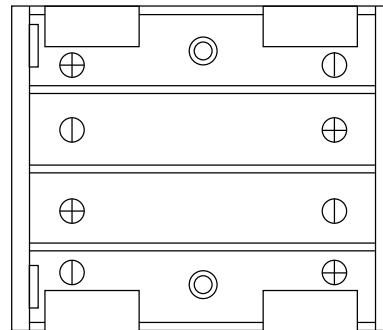
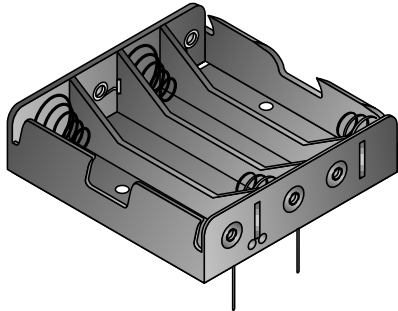
- Housing: polypropylene
- Spring: nickel plated steel
- Hardware: nickel plated brass
- Holds: 2 x N

Mouser Stock No.	No. of Cells	Color	Description
12BH521	2	Black	6" leads-tinned 3/16"

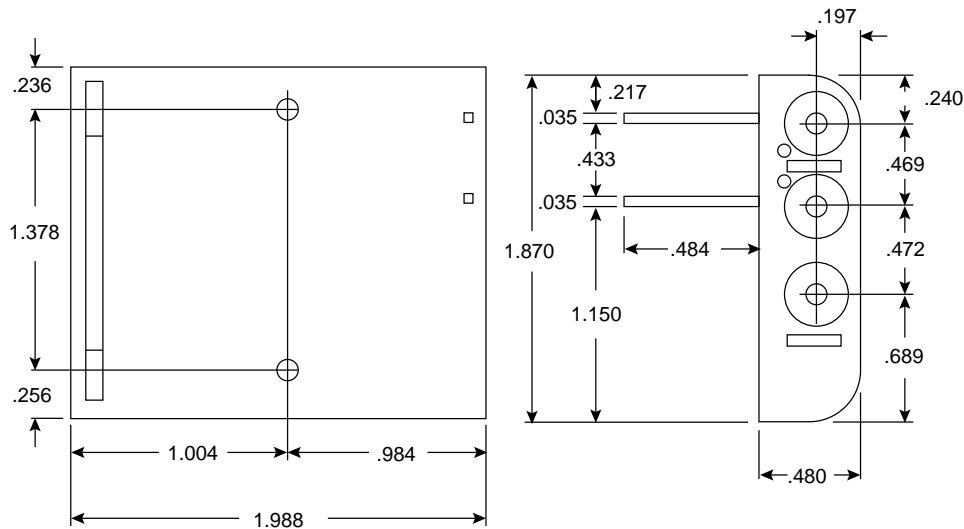
Your source for quality electronics. Toll-free full service

(800) 346-6873

<http://www.mouser.com>



Dimensions (In.)



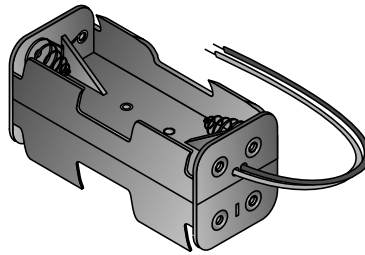
Material Specifications:

- Material: P.P. recycle
- Holds: 4 x AAA

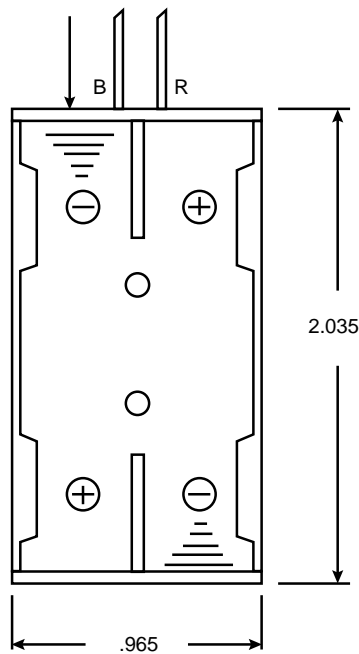
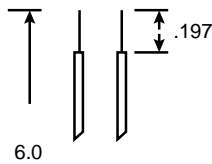
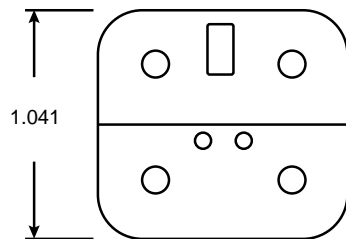
Your source for quality electronics. Toll-free full service

(800) 346-6873

<http://www.mouser.com>



Dimensions (In.)



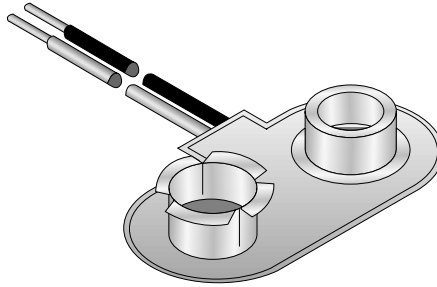
Material Specifications:

- Polypropylene (P.P.) recycle
- Holds: 4 x AAA
- Leads: 6"

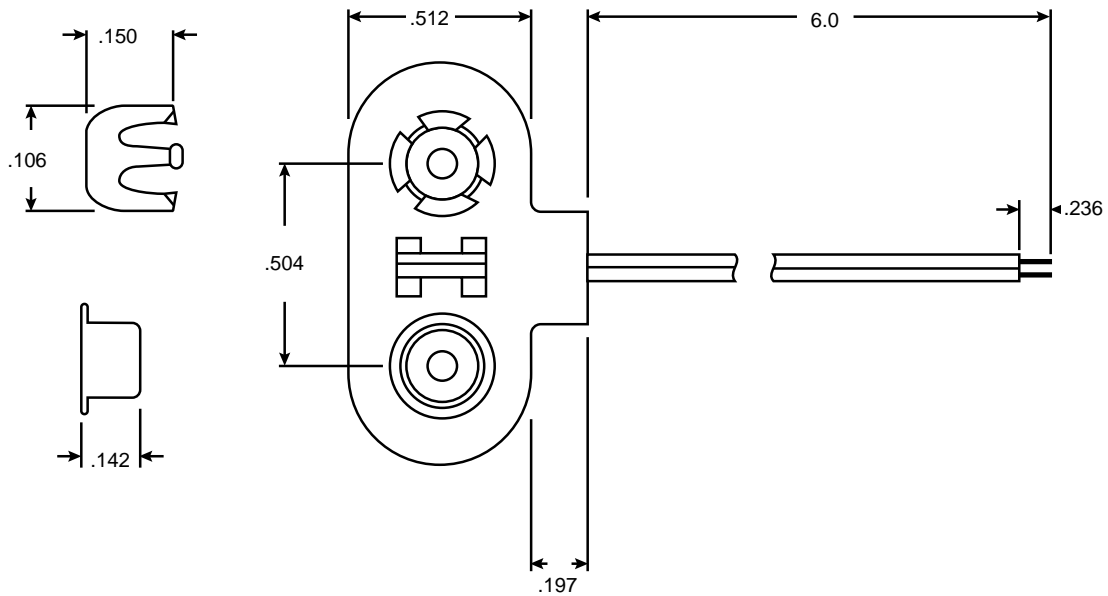
Your source for quality electronics. Toll-free full service

(800) 346-6873

<http://www.mouser.com>



Dimensions (In.)

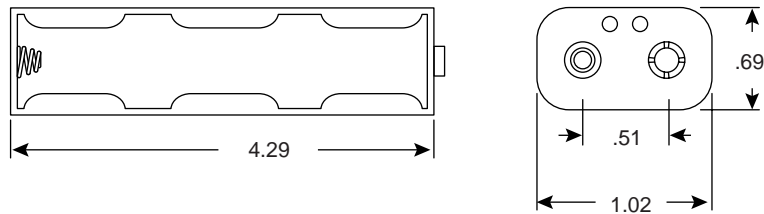
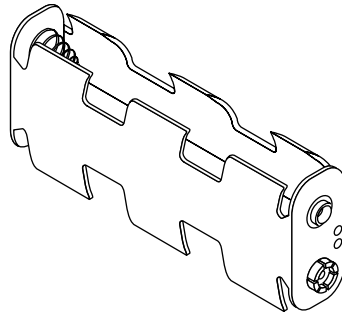


Specifications:

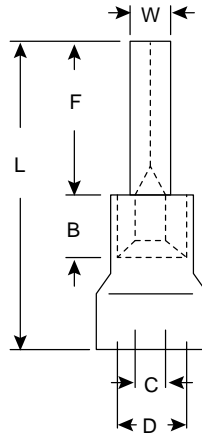
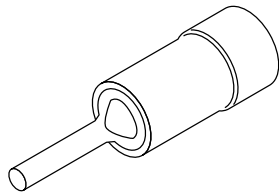
- 4 prong
- 26AWG
- 6" leads

Your source for quality electronics. Toll-free full service

(800) 346-6873

**Dimensions (In.)****Specifications:**

- Type: standard "AA"
- Color: black
- Number of cells: 4
- Mini snaps: spaced .50"; 4 prong;
male = .225" (O.D.), female = .205" x (I.D.)
- Body: polypropylene
- Hardware: nickel plated
- Spring: 0.5mm 65c spring wire
- Temperature rating: -15°C ~ +95°C



Dimensions (In.)

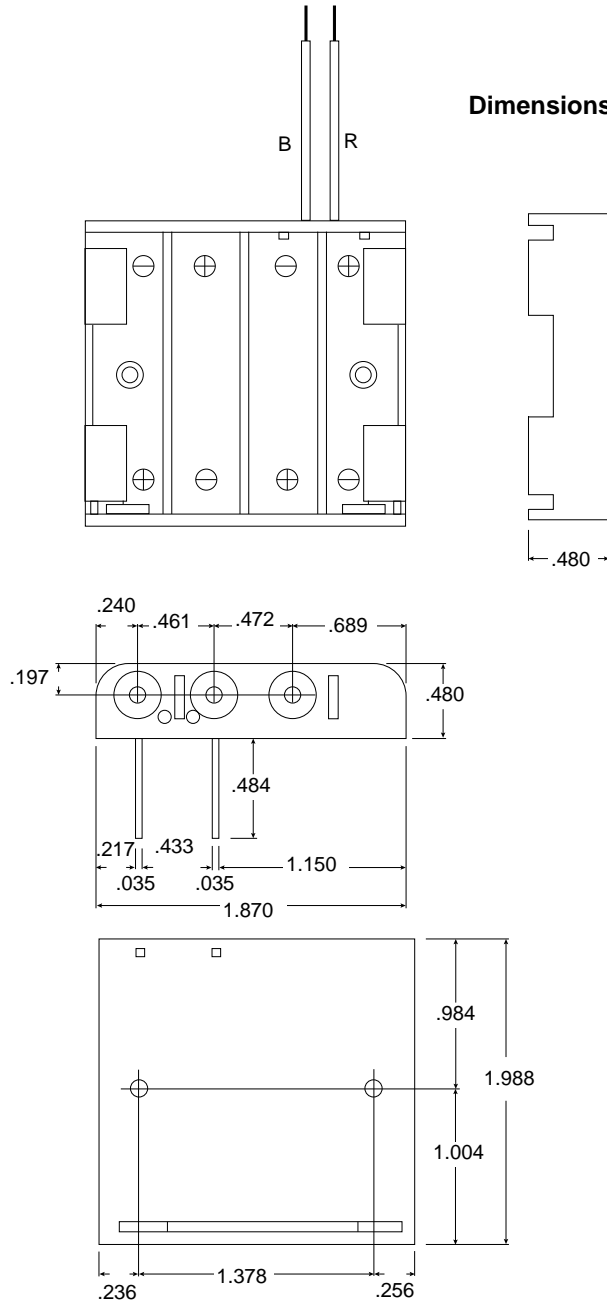
Specifications:

- Type: vinyl insulated
- Material: copper

Mouser Stock No.	Color	Wire Size (AWG)	Material Thickness	Dimensions (In.)					
				B	C	D	F	L	W
159-2213	Red	22~16	.032	.189	.067	.130	.414	.795	.074
159-1617	Blue	16~14	.032	.189	.091	.158	.414	.795	.074
159-1211	Yellow	12~10	.039	.268	.134	.217	.504	.969	.110

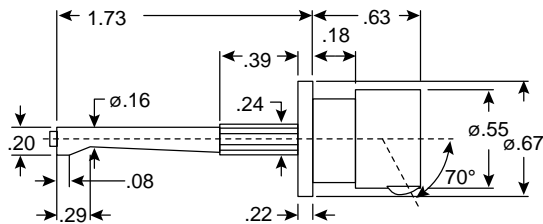
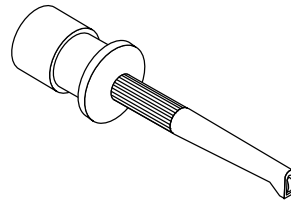
Material Specifications:

- P.P. recycled material



Your source for quality electronics. Toll-free full service

(800) 346-6873



Dimensions (In.)

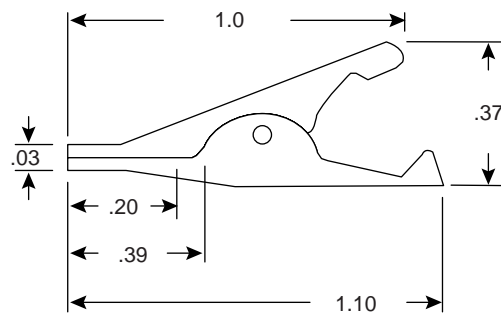
Specifications:

- Color: 13IC305 (red), 13IC306 (black)
- Insulation resistance: 100M Ω (min.) @ 500VDC
- Insulation withstand voltage: 1,500VAC for 1 minute
- Weight: 3.0g (MJ-019)

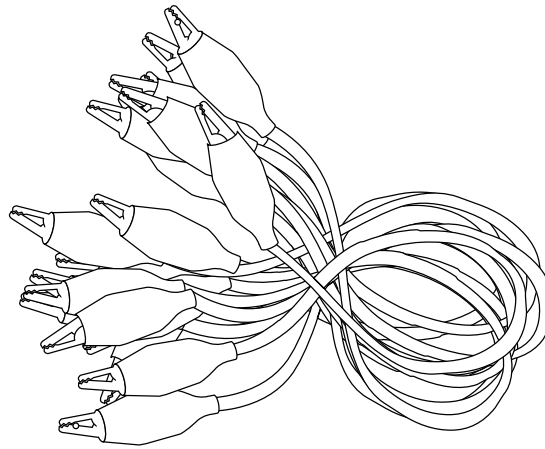
Your source for quality electronics. Toll-free full service.

(800) 346-6873

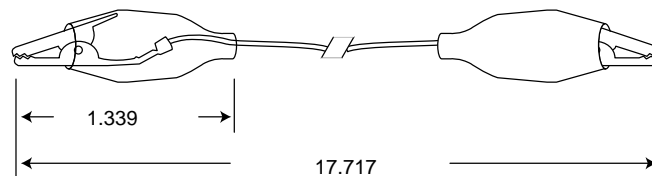
<http://www.mouser.com>

**Dimensions (In.)****Specifications:**

- Type: test clip, non-insulated, solder terminal
- Material: SPCC-SB
- Mueller: 34
- Clip: nickel plated steel
- Nickel plating: 2 micron or more in thickness
- Base metal: .016" thick
- Jaw spread: .315" max.
- Teeth width: .118"
- Teeth length: .433"
- Dielectric strength: 200VAC for 1 minute min.
- Insulation resistance: 500VDC @ 100M Ω min.



Dimensions (In.)



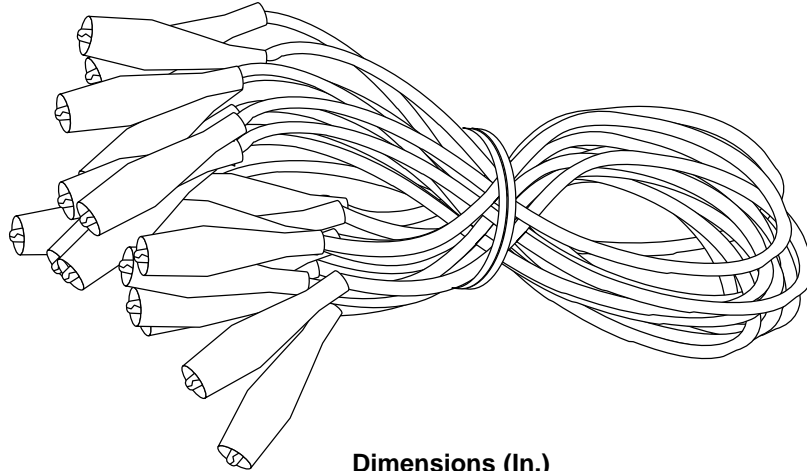
Specifications:

- Max. rating: 100VAC @ 0.3A
- Dielectric strength: 1000VAC for 1 minute
- Insulation resistance: 100M Ω @ 500VDC
- Colors: red, black, green, yellow, and white
- Set of ten wires: .18mm O.D. x 4 strands
- Net weight: 45 grams
- 2 each per color

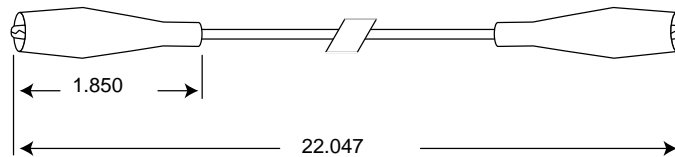
Your source for quality electronics. Toll-free full service

(800) 346-6873

<http://www.mouser.com>



Dimensions (In.)



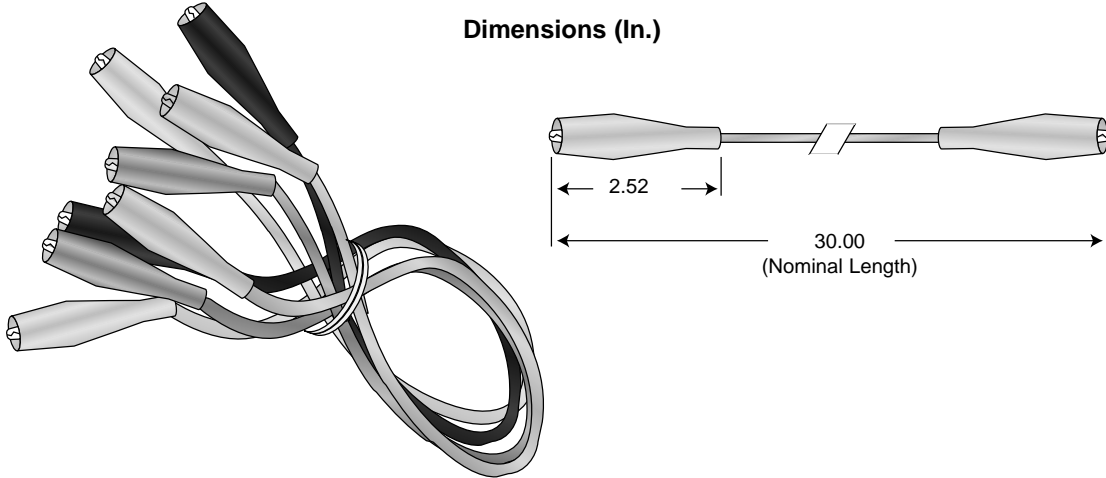
Specifications:

- Max. rating: 100VAC @ 1A
- Dielectric strength: 2000VAC for 1 minute
- Insulation resistance: 100M Ω @ 500VDC
- Colors: red, black, green, yellow, white
- Set of ten wires: .18mm O.D. x 12 strands
- Net weight: 105 grams
- 2 each per color

Your source for quality electronics. Toll-free full service

(800) 346-6873

<http://www.mouser.com>

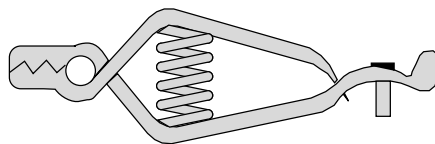
**Specifications:**

- Max rating: 100VAC 3A
- Insulation resistance: 100M Ω min. @ 500VDC
- Colors: red, black, green, yellow
- Set of four wires 1 each per color: .18mm x 20 strands

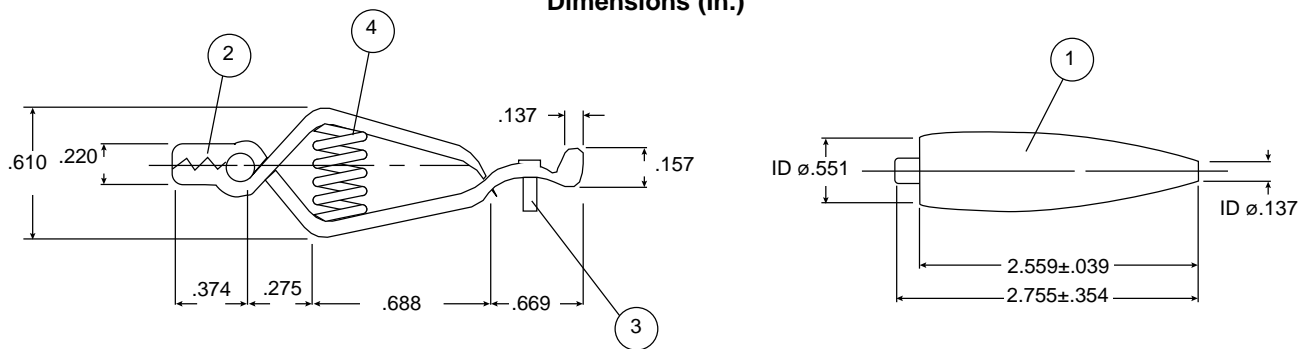
Your source for quality electronics. Toll-free full service

(800) 346-6873

<http://www.mouser.com>



Dimensions (In.)



Electrical Specifications:

- Current rating: 10Amp
- Voltage rating: 200volts
- Withstand voltage: 5000 volts
- Temperature rating: -30°C to +100°C

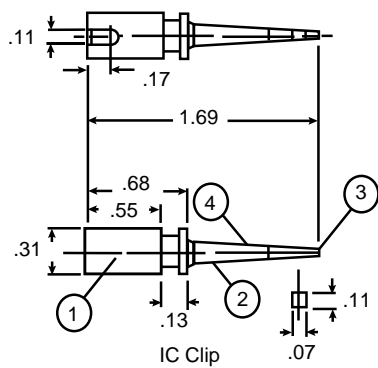
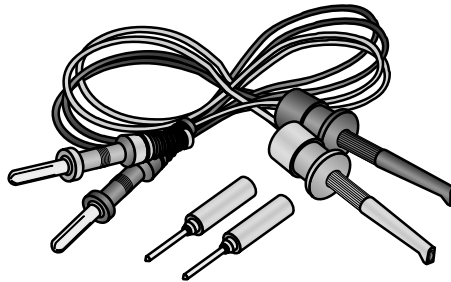
Material Specifications:

1. Cover: PVC
2. Clip: steel, nickel plated
3. Screw: steel, nickel plated
4. Spring: copper

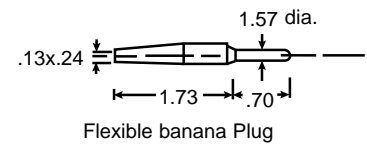
Mouser Stock No.	Description
13AC511	Clip with red insulated boot
13AC512	Clip with black insulated boot

Your source for quality electronics. Toll-free full service

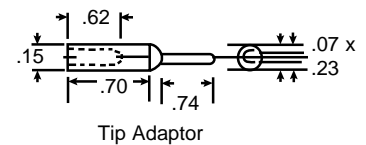
(800) 346-6873



Dimensions (In.)



Flexible banana Plug



Tip Adaptor

IC Clip Materials:

- Cap: nylon 6(UL94-2 flammability)
- Body: nylon 6
- Terminal: phosphor bronze
- Spring: steel

Specifications:

- Withstand voltage: 2KVAC/minute
- Insulation resistance: min. 100MΩ at 500VDC

Flexible Banana Plug Materials:

- Plug: nickel plated brass
- Body: nylon 6

Tip Adapter Material:

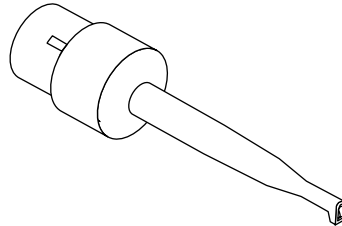
- Nickel plated brass

Lead Wire:

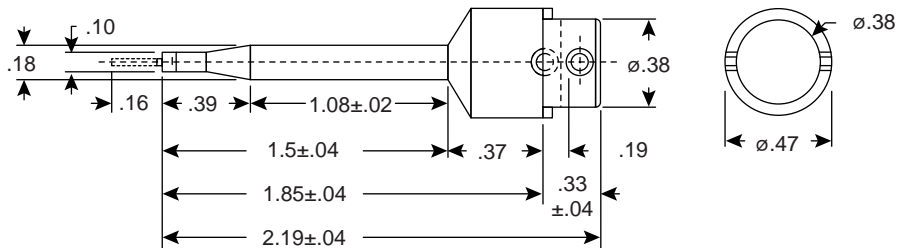
- 4' long AWG #24 lead (equivalent)

Your source for quality electronics. Toll-free full service

(800) 346-6873



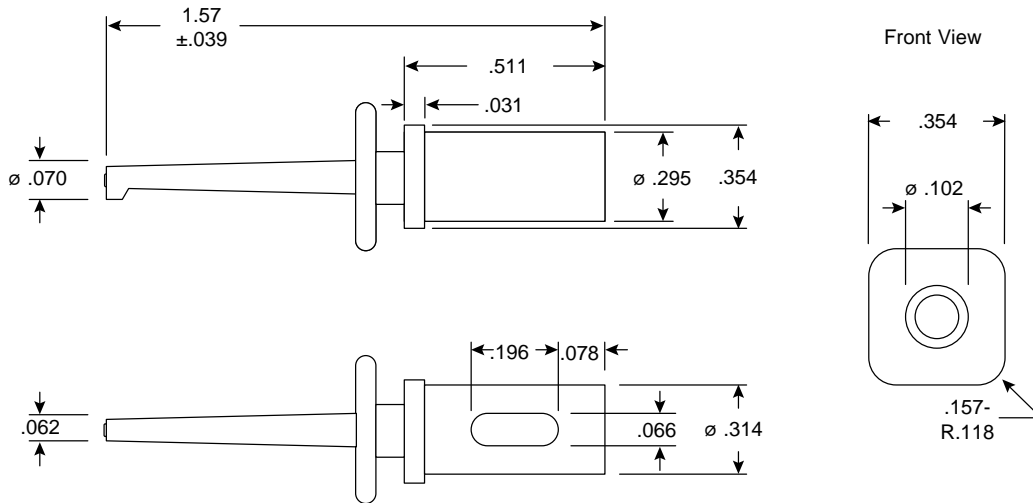
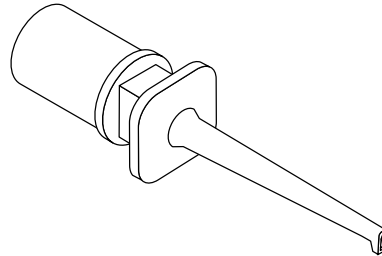
Dimensions (In.)



Specifications:

- Rating: 1A 125VAC
- Insulation resistance: 500VDC 100M Ω (min.)
- Voltage breakdown: 1500VAC for 1 minute
- Color: red (13IC301), black (13IC302)
- Material: nylon

Subminiature test clips are useful for making rapid and reliable tests. Its small size allows many test points at once, without clutter.



Dimensions (In.)

Specifications:

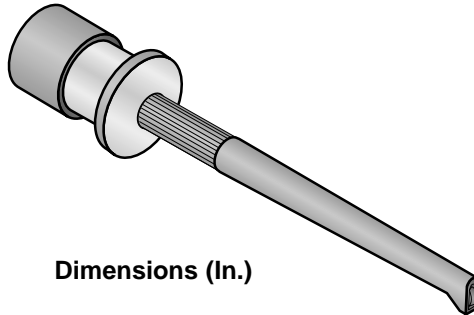
- Rating: 0.3A 50 VAC
- Insulation resistance: 500VDC 100M Ω (min)
- Voltage breakdown: 500VAC (min)
- Material: ABS resin

Mouser Stock No.	Color	Mouser Stock No.	Color
13IC307	Red	13IC310	Green
13IC308	Black	13IC311	Yellow
13IC309	Blue		

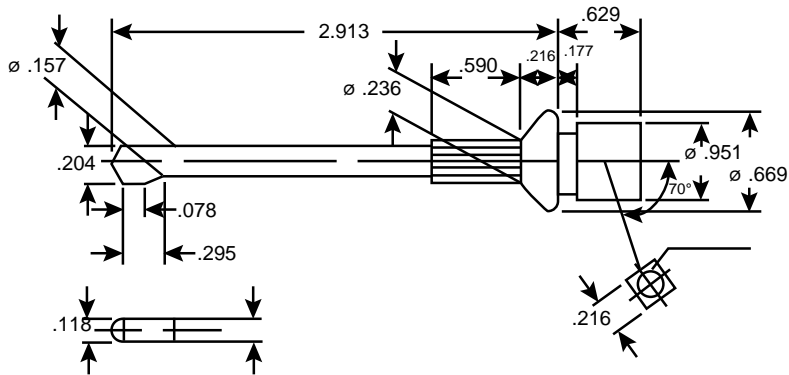
Your source for quality electronics. Toll-free full services

(800)346-6873

<http://www.mouser.com>



Dimensions (In.)

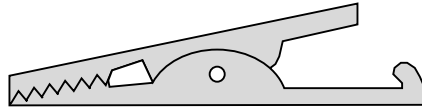


Specifications:

- Rating: 1A 125VAC
- Insulation resistance: 500VDC 100M Ω (min)
- Voltage breakdown: 1500VAC 1 (min)
- Test clip with quick disconnect

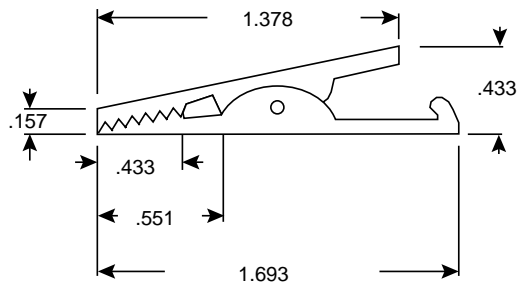
Mouser Stock No.	Color
13IC331	Red
13IC332	Black

Your source for quality electronics. Toll-free full service
(800) 346-6873



13AC140

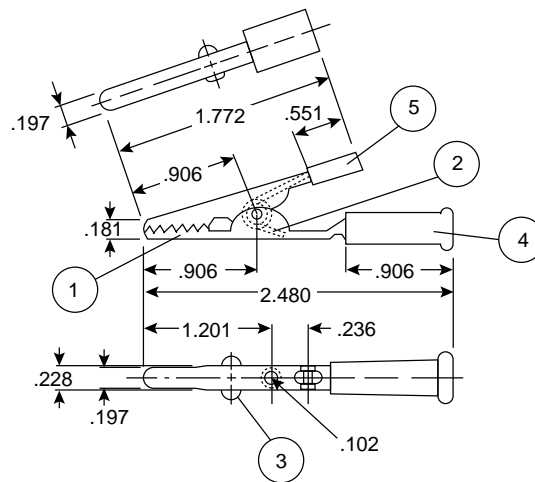
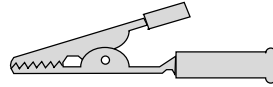
Dimensions (In.)



Plating: Ni-3
 Screw: M3 x 5 ISO
 A = Maximum Jaw Spread
 B = Teeth Width
 C = Teeth Length
 D = Max. Clip Length

Mouser Stock No.	Material	A	B	C	D
13AC140	Nickel plated steel	.315	.118	.433	.551

Your source for quality electronics. Toll-free full service
(800) 346-6873



1. Nickel plated opening jaw clip (max jaw spread 10mm)
2. Spring
3. Nickel plated rivet
4. Polyethylene pipe
5. Polyethylene knob

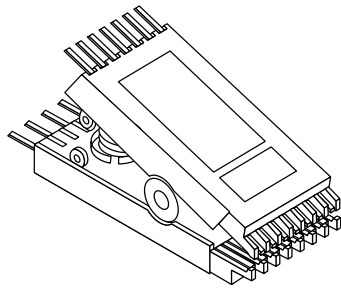
Specifications:

- Breakdown Voltage: 2000VAC for 1 minute
- Insulation resistance: 500VDC / over 100M Ω

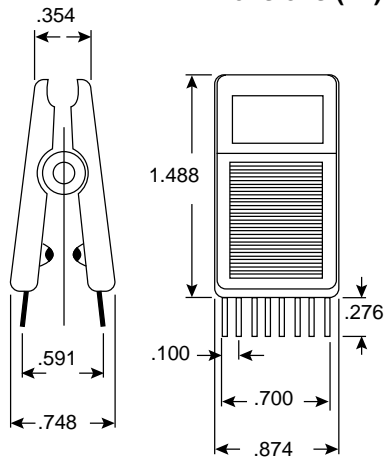
Your source for quality electronics. Toll-free full service

(800) 346-6873

<http://www.mouser.com>



Dimensions (In.)



(DIP) Dual-In-Line Package

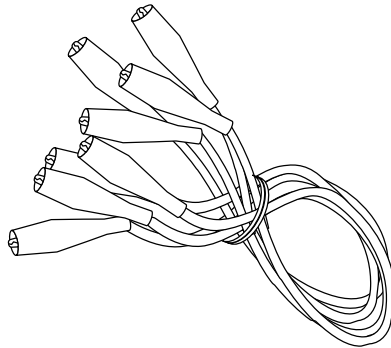
Specifications:

- Maximum solder temperature: 270°C / 3 seconds

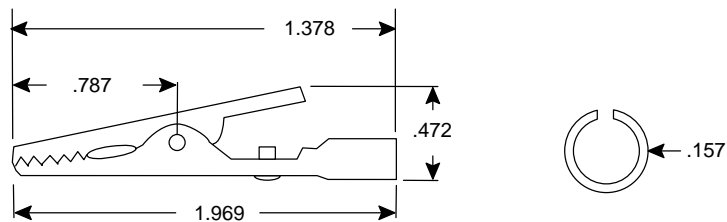
Your source for quality electronics. Toll-free full service

(800) 346-6873

<http://www.mouser.com>



Dimensions (In.)



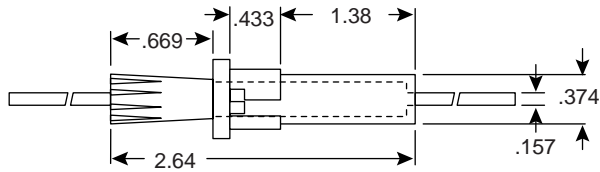
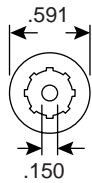
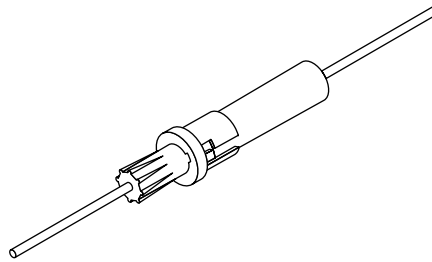
Specifications:

- Body: nickel plated steel
- Lead wires: bare copper 0.18mm x 20 strands
PVC jacket O. D. 2.5mm ± 0.1mm
- Total length: included two alligator clips 30" ± 1"

Your source for quality electronics. Toll-free full service

(800) 346-6873

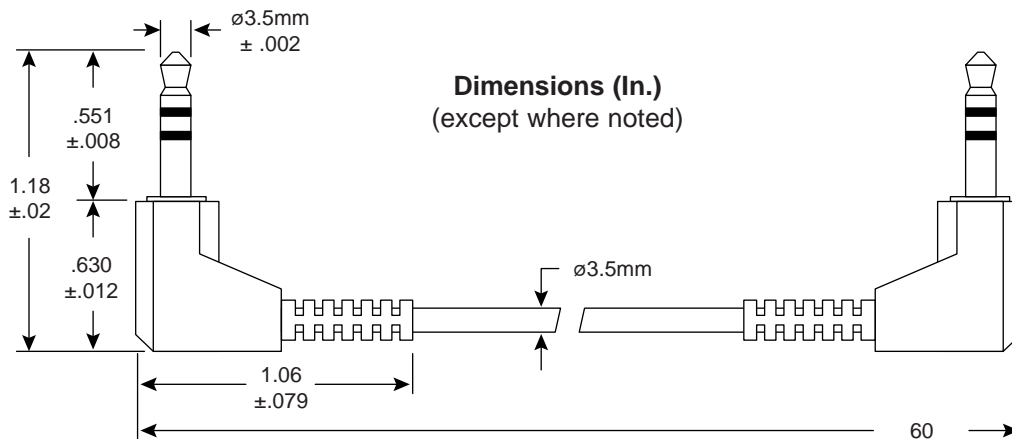
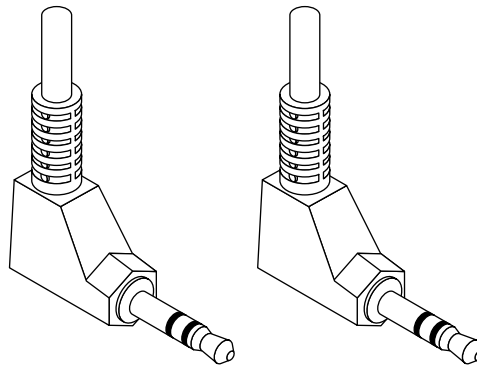
<http://www.mouser.com>



Dimensions (In.)

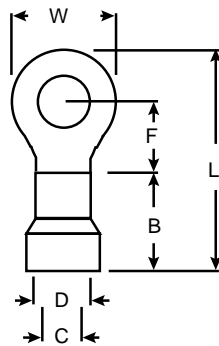
Specifications:

- Color: white with red lead
- Fuse size: .25" x 1.25" (standard in-line)
- Current rating: 3A 125VAC @ 60°C
- Body & cap: polyethylene, hard type
- Spring: 18" 32 x 7 (piano-wire)
- Terminal-stopper: brass



Specifications:

- Type: 3.5mm stereo right angle/
3.5mm stereo right angle
- Plating: gold
- Cable size: (10/0.12x2+30/0.12)x1C; OD = Ø3.5
- Cable material: ZC shield with PVC jacket
- Temperature: 60°C
- Voltage rating: 24VDC
- Other: tip/tip, ring/ring, sleeve/sleeve

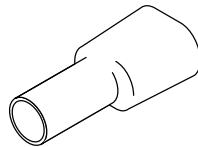


Specifications:

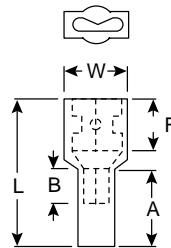
- Wire range: 12-10 AWG (5.5mm²)
- Maximum electric current: 48 ampere
- Maximum electrical rating: 75°C 600 volts max.
- Insulation color: yellow
- Terminal material: copper, thickness: .039 (1.0mm)
- Insulation material: vinyl

Mouser Stock No.	Stud Size	Dimensions (In.)					
		W	L	F	B	D	C
159-1201	#6	.283	.882	.232	.492	.504	.134
159-1202	#8	.374	1.039	.327	.492	.504	.134
159-1203	#10	.374	1.039	.327	.492	.504	.134
159-1204	1/4	.472	1.150	.433	.492	.504	.134
159-1205	5/16	.591	1.327	.540	.492	.504	.134
159-1206	3/8	.591	1.327	.540	.492	.504	.134

Your source for quality electronics. Toll-free full service
(800) 346-6873



Nylon-Insulated



Specifications:

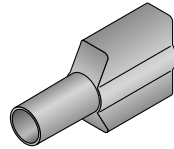
- Maximum electric rating: 105°C 300 volts
- Terminal material: brass
- Thickness: .017 (0.45mm)
- Insulation material: nylon

Mouser Stock No.	Wire Range		Nema Tab	Dimensions (In.)					Insulated Color
	AWG	mm ²	in	W	F	B	A	L	
159-3250	22-16	1.25	.032x.250	.291	.311	.236	.472	.913	Red
159-7250	16-14	2	.032x.250	.291	.311	.236	.472	.866	Blue

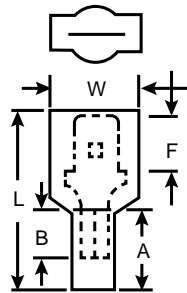
Your source for quality electronics. Toll-free full service

(800) 346-6873

<http://www.mouser.com>



Nylon-Insulated

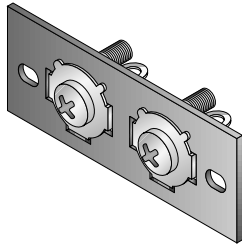


Specifications:

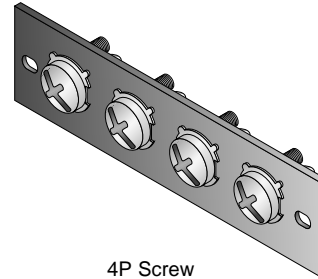
- Maximum electric rating: 105°C 300 volts
- Terminal material: brass
- Thickness: .032 (0.8mm)
- Insulation material: nylon

Mouser Stock No.	Wire Range		Nema Tab	Dimensions (In.)					Insulated Color
	AWG	mm ²	in	W	F	B	A	L	
159-3251	22-16	1.25	.032x.250	.248	.311	.256	.433	.965	Red
159-7251	16-14	2	.032x.250	.248	.311	.256	.433	.965	Blue

Your source for quality electronics. Toll-free full service
(800) 346-6873

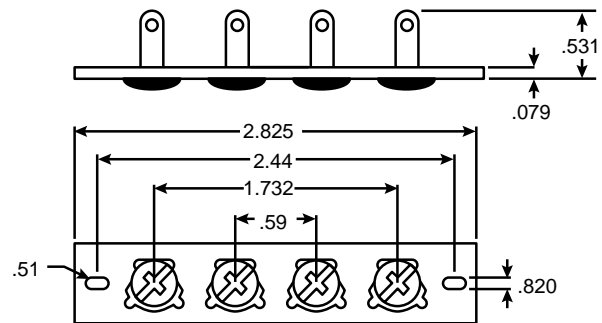
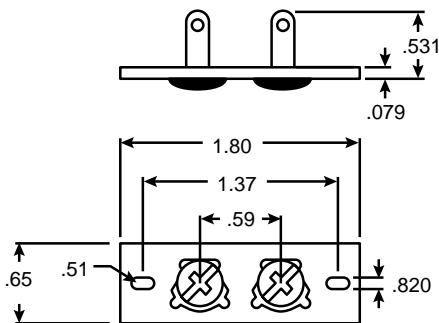


2P Screw



4P Screw

Dimensions (In.)



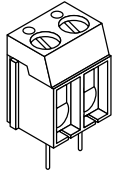
Specifications:

- Board material (15CA002): ABS plastic
- Insulating material: ABS plastic
- Pin outer shell: nickel plated brass
- Pin inner socket: nickel plated brass
- Board material (15CA004): phenolic
- Screw & terminals: nickel plated steel
- Max. current rating: 1.0A
- Max. voltage rating: 12.0V
- Insulation resistance: 50MΩ @ 100V

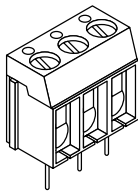
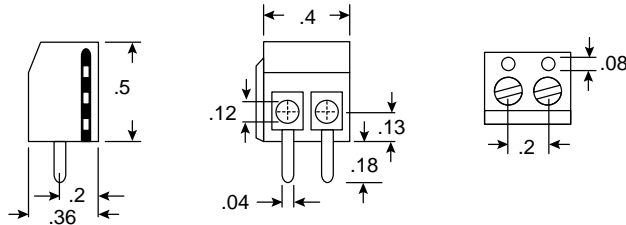
Your source for quality electronics. Toll-free full service

(800) 346-6873

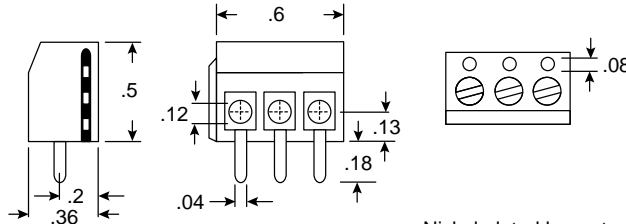
<http://www.mouser.com>



153-2102
2 Poles, 2 Positions



153-2103
3 Poles, 3 Positions



Nickel plated brass terminals completely surround the wire end, hold it securely in place, and eliminate the need for lugs.

Dimensions (In.)

Specifications:

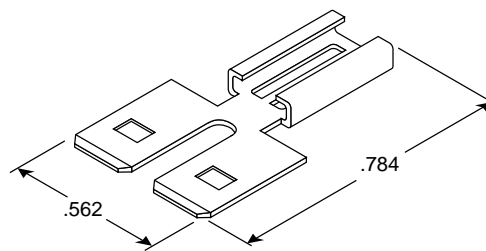
- Test point for pin probe
- .200" pin spacing
- Nominal load: 13A @ 250VAC
- Housing: black polyamid/nylon fiber glass reinforced
- Terminal screw: M3
- Rated torque: .5 Nm max.
- Terminal block: Cu Zn
- Wire guard: Cu Ni
- Insulator: PA
- Temperature range: -30°C to +100°C
- Flame class: UL94V-0
- Rated voltage: 250V
- Rated current: 16A
- PC mounting
- End buttable w/interlocking dovetail

Your source for quality electronics. Toll-free full services

(800)346-6873

<http://www.mouser.com>

Dimensions (In.)



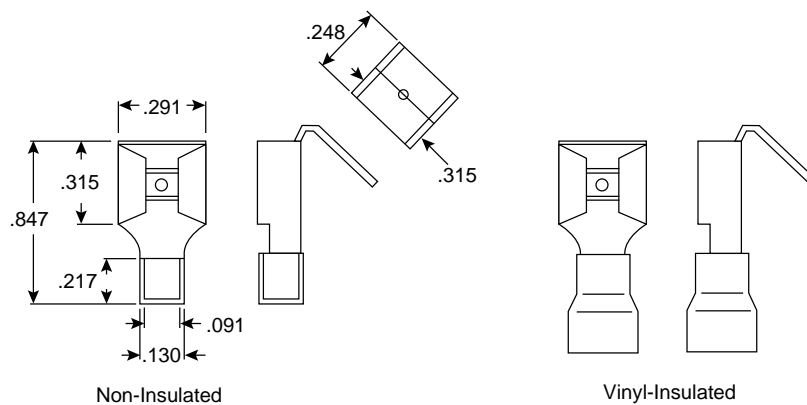
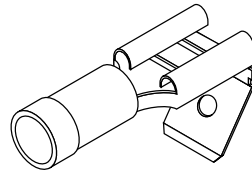
Specifications:

- Nema tab: .032 x .250
- Material: brass .016" thick

Your source for quality electronics. Toll-free full service

(800) 346-6873

<http://www.mouser.com>

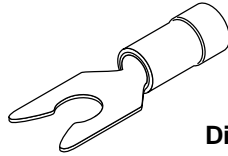
**Specifications:**

- Maximum electric current: 15 ampere
- Maximum electrical rating: 75°C 300 volts max.
- Insulation color: blue
- Terminal material: brass thickness .016 (0.4mm)
- Insulation material: vinyl
- NEMA tab: .032 x .250

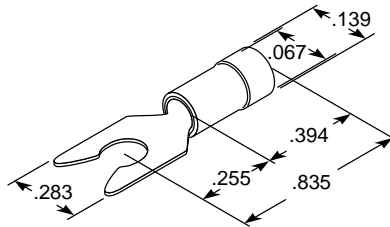
Your source for quality electronics. Toll-free full service

(800) 346-6873

<http://www.mouser.com>



Dimensions (In.)

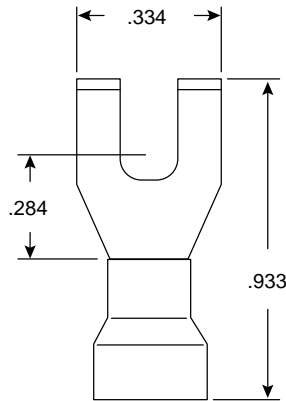
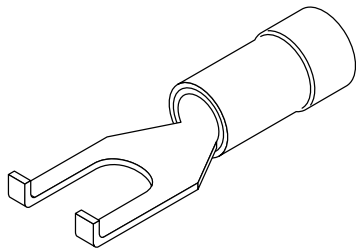
**Specifications:**

- Maximum electric current: 19 ampere
- Maximum electrical rating: 75C 600 volts max.
- Insulation color: red
- Terminal material: copper thickness, .029 (0.75mm)
- Insulation material: vinyl
- Stud size: ± 8

Your source for quality electronics. Toll-free full service

(800) 346-6873

<http://www.mouser.com>



Dimensions (In.)

Specifications:

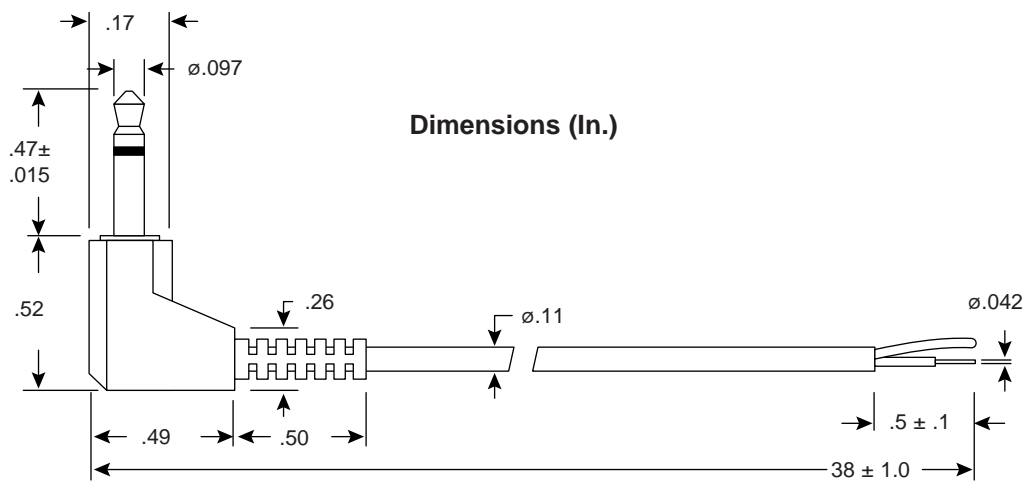
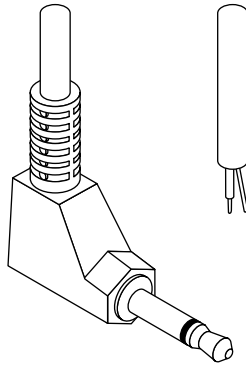
- Type: flanged spade
- Terminal insulation: vinyl
- Material: copper
- Material thickness: .032 inches

Mouser Stock No.	Color	Stud Size	Wire Range (AWG)
159-2236	Red	#6	22-16
159-2238	Red	#8	22-16
159-2230	Red	#10	22-16
159-1636	Blue	#6	16-14
159-1638	Blue	#8	16-14
159-1630	Blue	#10	16-14

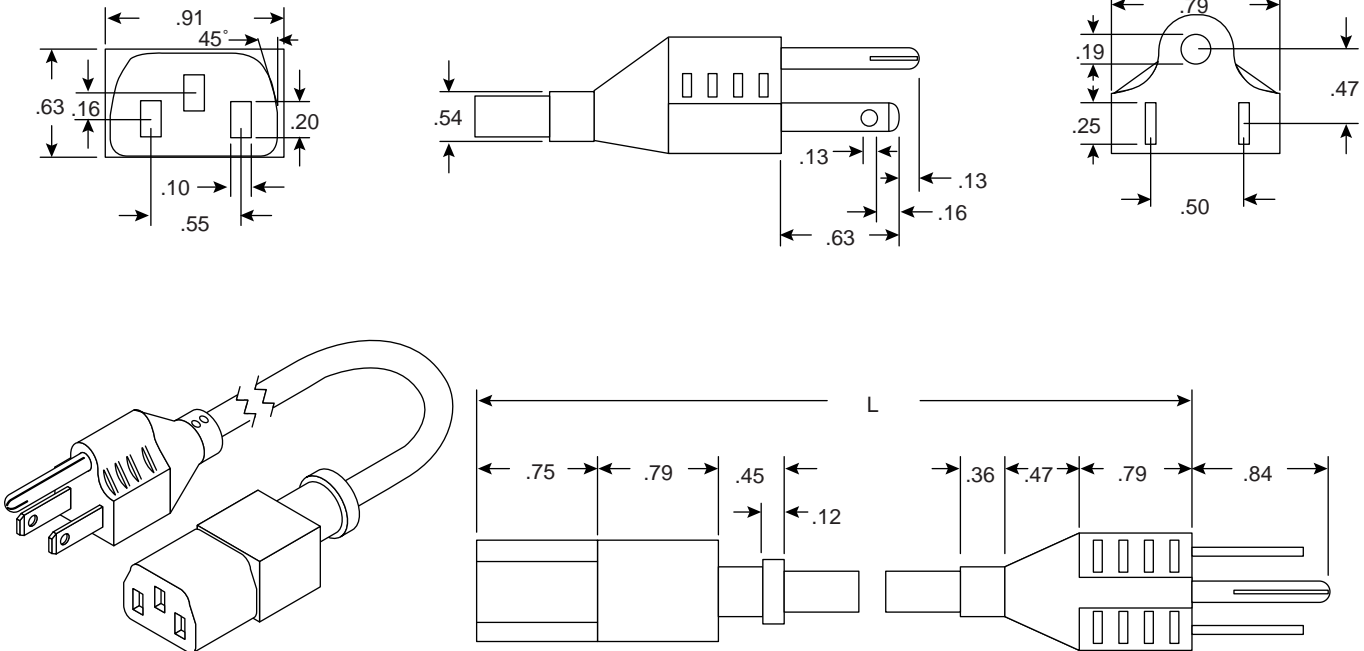
Your source for quality electronics. Toll-free full service

(800) 346-6873

<http://www.mouser.com>

**Specifications:**

- Type: 2.5mm mono right angle/stripped & tinned
- Cable: black audio coax PVC



Dimensions (In.)

Specifications:

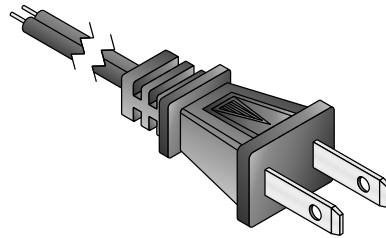
- Temperature: 60°C
- Economical & efficient
- Type: three conductor detachable AC cord set
- Mechanical performance meets OEM requirements
- Excellent resistance to abrasion & blade wear requirements
- UL number: E58406
- CSA number: LL55699

Mouser Stock No.	Size	Type	Rating @ 125V (A)	Length (L)	Color
173-63101	18/3	SVT	10	7'6"	Black
173-63102	18/3	SVT	10	8'	Black
173-63121	18/3	SVT	10	7'6"	Gray

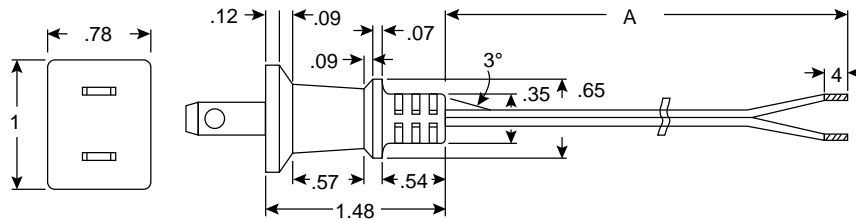
Your source for quality electronics. Toll-free full services

(800)346-6873

<http://www.mouser.com>



Dimensions (In.)



Material Specifications:

- Bare stranded copper conductor
- Color coded PVC insulation
- Passes UL VW-1 & CSA FT2 vertical flame test
- UL file no. E58406(sp)

Electrical Specifications:

- Temperature: 60°C to 105°C
- Rated: AWG - 18
Volts - 300
Amps - 10
Watts - 1250

Nema 1-15P Plug

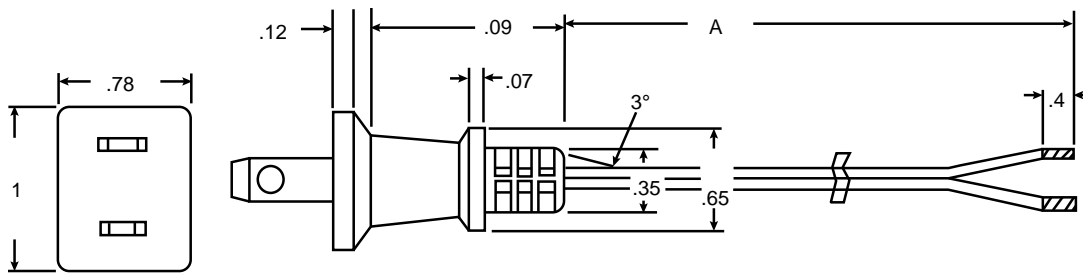
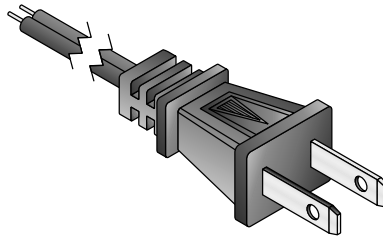


Mouser Stock No.	Size	Stranding	Type	Rating @ 125V (A)	Length (Feet)	Approx. O.D. Of Cable	Color
173-11102	18/2	41 x 34	SPT-1	10	6	.13 X .27	Black
173-11123	18/2	41 x 34	SPT-1	10	6	.13 X .27	Brown
173-31102	18/2	41 x 34	SPT-2	10	6	.13 X .27	Black

Your source for quality electronics. Toll-free full service

(800) 346-6873

<http://www.mouser.com>



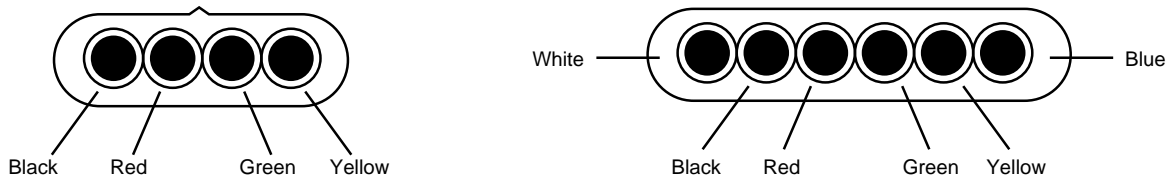
Specifications:

- Conductors: 2
- Polarization: none

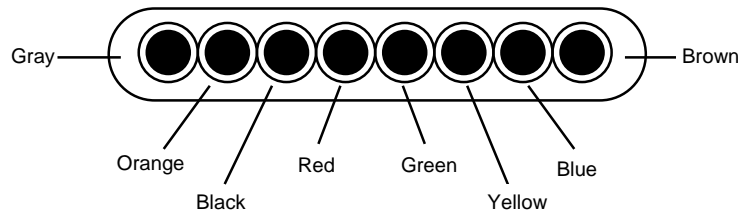
Mouser Stock No.	Cord Type	AWG	Color	Ratings	Cord Length (A)
173-11101	SPT-1	18	BLACK	7A 125V	6'
173-11122	SPT-1	18	BROWN	7A 125V	7'
173-31102	SPT-2	18	BLACK	10A 125V	6'

Your source for quality electronics. Toll-free full service

(800) 346-6873



Cable Diagrams



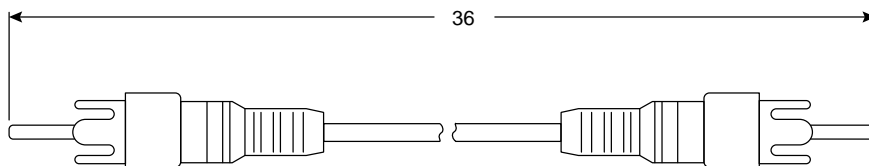
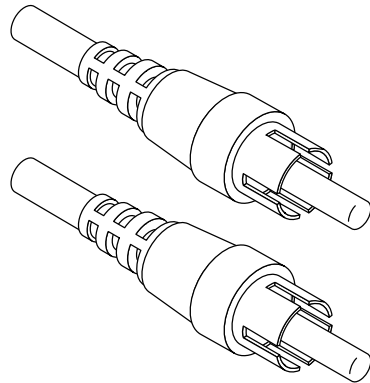
Specifications:

- 26 AWG, 7x34 tinned copper stranded conductors
- Conductors are USOC color coded
- UL recognized by Underwriter's Laboratories Inc.
- Voltage: 150V
- Temperature rating: 60°C
- Acceptable current: 1.8 amp.

Mouser Stock No.	No. of Conductors	Jacket Color	Insulation		Jacket	
			Thickness	Diameter	Thickness	Diameter
			mm	mm	mm	mm
172-UL4010	4	Silver	.25	1.00	.60	2.4 x 5.0
172-UL4110	4	Black	.25	1.00	.60	2.4 x 5.0
172-UL4210	4	White	.25	1.00	.60	2.4 x 5.0
172-UL6010	6	Silver	.25	1.00	.60	2.4 x 5.0
172-UL6110	6	Black	.25	1.00	.60	2.4 x 5.0
172-UL6210	6	White	.25	1.00	.60	2.4 x 5.0
172-UL8010	8	Silver	.25	1.00	.60	2.4 x 5.0
172-UL8110	8	Black	.25	1.00	.60	2.4 x 5.0
172-UL8210	8	White	.25	1.00	.60	2.4 x 5.0

Your source for quality electronics. Toll-free full service

(800) 346-6873



Dimensions (In.)

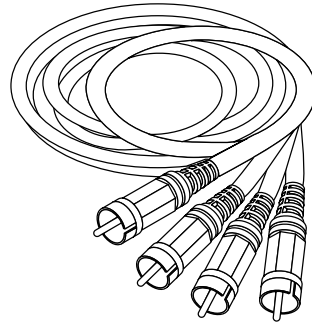
Specifications:

- Type: shielded molded RCA plug/ RCA plug
- Color: black
- Conductor: 10/0.12
- PVC OD: 1.0
- Shield: 30/0.12
- PVC overall jacket OD: 3.5
- Capacitance: 265 pf/M
- Insulator Resistance: 350 Ω /Km
- Conductor Resistance: 0.15 Ω /m

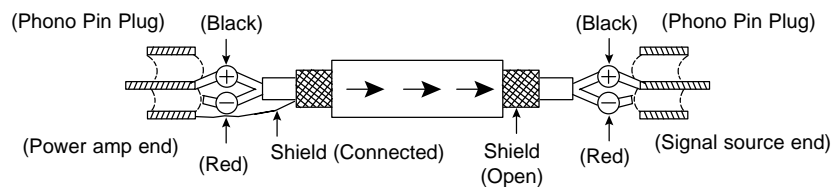
Your source for quality electronics. Toll-free full service

(800) 346-6873

<http://www.mouser.com>



Connection Diagram



The leads are to be connected with the arrows pointing away from power amplifier (as illustrated) as the shield is connected to negative signal pin at one end of the cable only. This will alleviate loop hum.

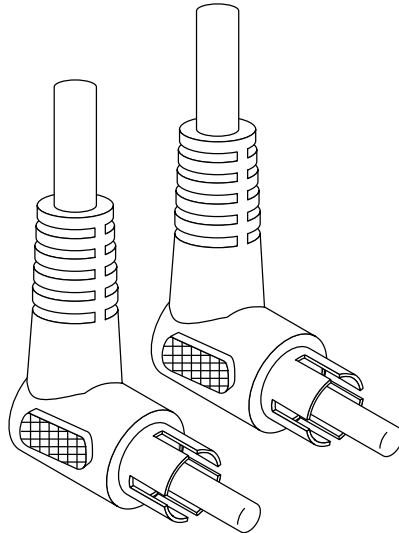
Specifications:

- Housing: molded on phono body
- Contacts: 24K gold plated brass (non-magnetic)
- Cable: twin conductor LC-OFC 20/0 12mm (0.25mm²) with LC-OFC braid shield
- Conductor resistance: <math><24\text{m}\Omega/\text{ft}</math>
- Capacitance: 18PF/FT.
- Impedance: 55 Ω @ 1MHz
- Jacket: blue PVC
- Includes 2 Hitachi LC-OFC cables w/color coded phono plugs, 1 red, 1 white
- Length: 172-8005 - .5 meters
172-8010 - 1.0 meters
172-8015 - 1.5 meters

Your source for quality electronics. Toll-free full service

(800) 346-6873

<http://www.mouser.com>



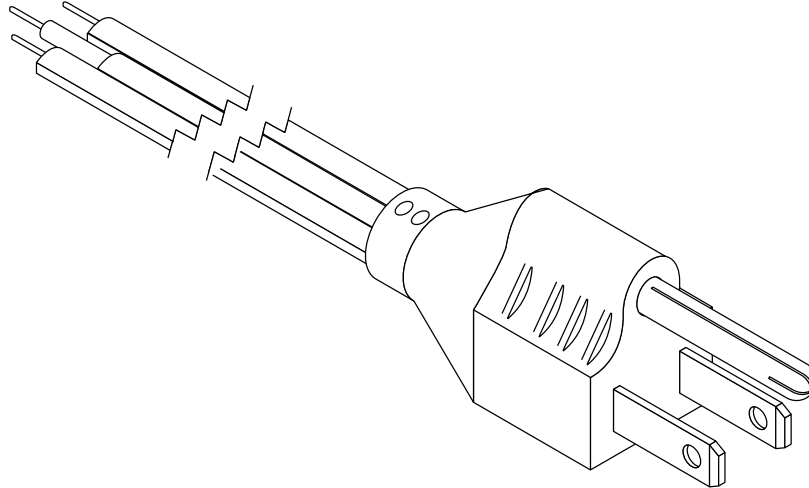
Specifications:

- Type: RCA phono plug/plug; shielded
- Length: 172-1001 - 36 inches
172-1002 - 60 inches
- Jacket: gray PVC
- Conductor: .12mm x 10
- Shield: .12mm x 28
- Cable O.D.: 3.5mm

Your source for quality electronics. Toll-free full service

(800) 346-6873

<http://www.mouser.com>



Power Supply Cords

Mouser power supply cords are both economical and efficient meeting the mechanical performance criteria demanded of OEM and replacement applications. They provide excellent resistance to jacket abrasion and blade wear while providing superior electrical performance. Both two and three conductor types are offered in 6', 7 1/2' and 8' lengths with molded, low profile, crush resistance, NEMA 1-15P of 5-15P plugs, 18AWG types are rated 125V, 1250 watts, 16AWG types is rated 125V, 1625 watts, 14AWG type is rated 125V, 1875 watts. All are UL listed and CSA certified.

Specifications:

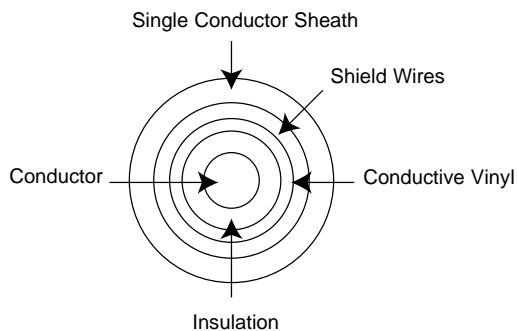
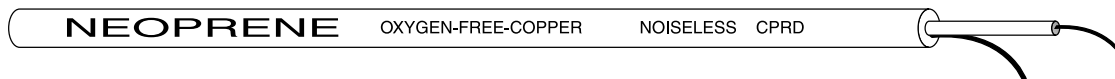
- Temperature: 60°C
- Rated: AWG 18, 16, 14
volts 125, 125, 125
amps 10, 13, 15
watts 1250, 1625, 1875

Mouser Stock No.	Replaces Belden #	Size	Type	Rating @ 125V (A)	Length (ft)	Color
173-33121	-----	18/3	SPT-2	10	6	Gray

Your source for quality electronics. Toll-free full service

(800) 346-6873

<http://www.mouser.com>



Construction	Conductor			Single (1)
	Conductors	Section Area	mm ²	0.22
		Diameter	mm	0.12
		Material	==	Soft OFC
		Strand		20
		Wire Dia.	/ mm	/ 0.12 OFC
	Insulator	O.D.	mm	0.62
		Material	==	Soft Polyethylene
		Thickness	mm	0.68
		Tol. (±)	mm	0.10
O.D.		mm	2.00	
Vinyl Jacket	T.	mm	0.25	
	O.D.	mm	2.50	
Shield Wire	Form	==	Braided Shield	
	Material	==	Soft OFC	
	Numbers/ Wire Dia.	/mm	4x18=64 wires /0.12 OFC	
	Pitch	mm	25.0	
	O.D.	mm	3.00	
Sheath	Material	==	Soft Vinyl	
	Thickness	mm	1.75	
	Tol. (±)	mm	0.10	
	Color	==	Black	
Final O.D.		mm	6.50 (approx.)	

Specifications:

- Insulator: tensile strength 1Kgs. / mm²
elongation 100%
- Sheath: tensile strength 1Kgs./mm²
elongation 120%
- Test voltage: 1000VAC / 1 minute
- Insulation resistance: 20°C MΩ/KM --5MΩ
- Conductor resistance: 20°C Ω/KM --81.0Ω
- Impedance: 65Ω
- Electrostatic capacity: 160pF per meter
- Jacket: soft vinyl (PVC)
- Insulation: soft polyethylene
- Shield: braid, OFC

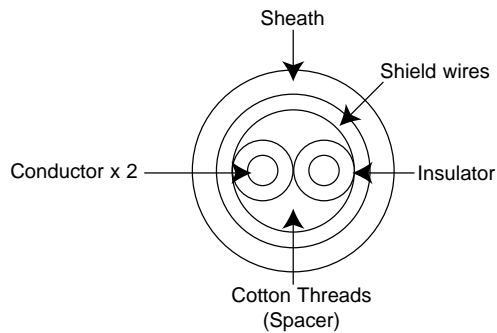
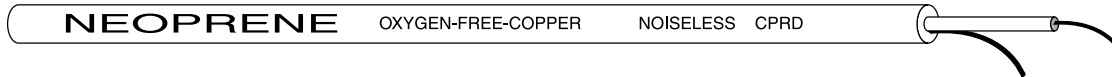
Material Specification:

- OFC conductor/shield
- Super flexible
- Low noise
- High frequency response
- 99.99997% pure copper wire

Your source for quality electronics. Toll-free full service

(800) 346-6873

<http://www.mouser.com>

**Material Specifications:**

- Number of conductors: 2
- Conductor / stranding: oxygen free copper 0.12mm x 6 x 0.72mm (0.18mm)
- Insulation: PE polyethylene
- Shield: oxygen free copper 0.12mm x 6x
- Jacket O.D.: 6.5mm
- Jacket material: neoprene (polychloroprene)
- Jacket color: red

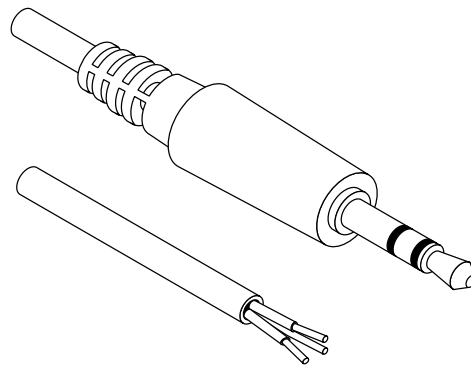
Electrical Specifications:

- Test voltage: 3000VAC / minute
- Insulation resistance: 5m Ω / KM
- Conductor resistance: 60.5 Ω / KM
- Impedem
- Impedance: 65 Ω

Your source for quality electronics. Toll-free full service

(800) 346-6873

<http://www.mouser.com>

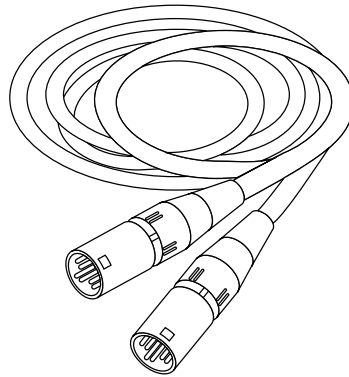
**Specifications:**

- Type: 2.5mm stereo plug/stripped & tinned; shielded
- Length: 72 inches
- Jacket: black PVC
- Conductor: .12mm x 10
- Shield: 12mm x 28
- Cable O.D.: 3.5mm

Your source for quality electronics. Toll-free full service

(800) 346-6873

<http://www.mouser.com>



A five pin 180° DIN Plug to Plug Cable assembly using four conductor, individually shielded cable. Two styles are offered. One is mirror connected (pin 1 to pin 3), the other is wired straight through (pin 1 to pin 1).

Features:

- Die cast shielded body
- Bright nickel finish
- Cable grip/strain relief
- 5 Pin DIN plug/ plug cable

Specifications:

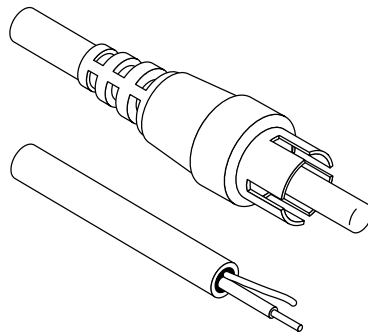
- Voltage rating: 100V
- Current rating: 4A
- Contact resistance: 10m Ω (max.)
- Temperature rating: -25°C to +70°C

Mouser Stock No.	Length	Wired
172-5910	1.5	Straight
172-5920	1.5	Mirror

Your source for quality electronics. Toll-free full service

(800) 346-6873

<http://www.mouser.com>

**Specifications:**

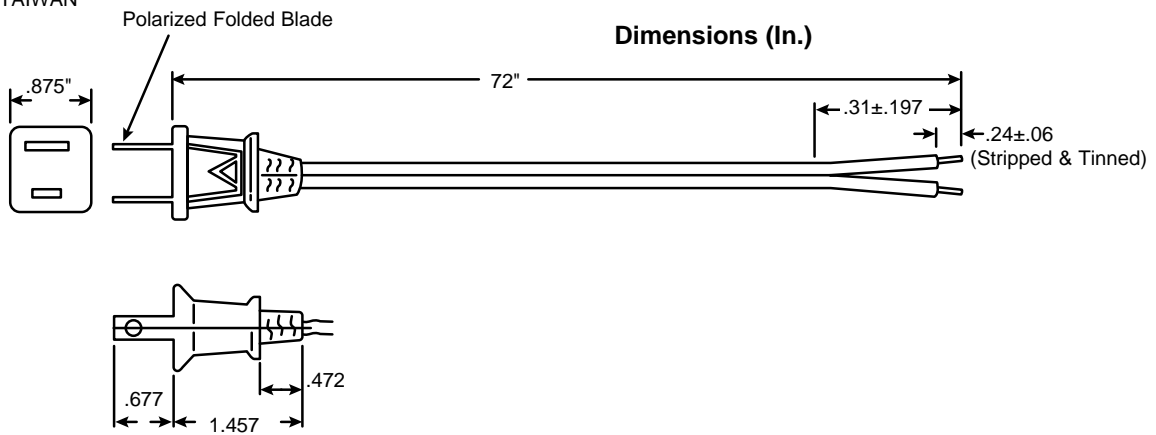
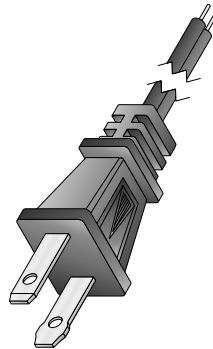
- Type: RCA phono plug/stripped & tinned; shielded
- Length: 72 inches
- Jacket: black PVC
- Conductor: .12mm x 10
- Shield: 12mm x 28
- Cable O.D.: 3.5mm

Your source for quality electronics. Toll-free full service

(800) 346-6873

<http://www.mouser.com>

E58406
ST-002A
TAIWAN



UL listed



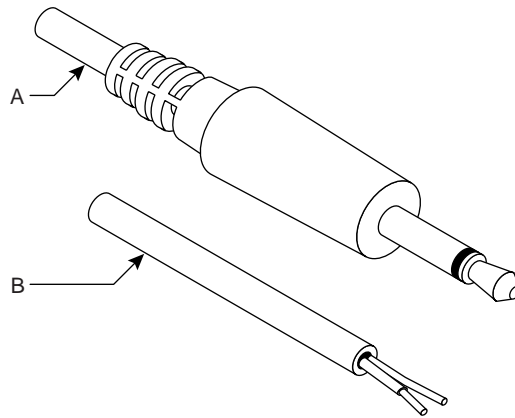
CSA certified

Specifications:

- Temperature: 60°C
- Rated: AWG 18
 - volts 125
 - amps 10
 - watts 1250

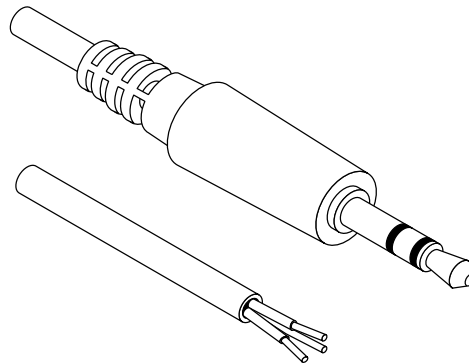
Mouser Stock No.	Size	Type	Rating @ 125V (A)	Length (Feet)	Color
173-11112	18/2	SPT-1	10	6	Black

Your source for quality electronics. Toll-free full service
(800) 346-6873



Specifications:

- Termination A: 2.5mm mono plug
- Termination B: .512" stripped & tinned
- Length: 72 inches
- Jacket: black PVC
- Conductor: .12mm x 10
- Shield: 12mm x 28
- Cable O.D.: 3.5mm

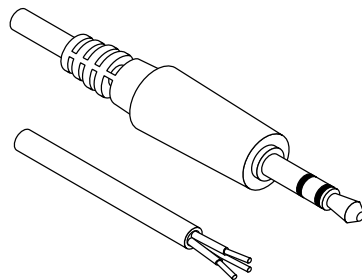
**Specifications:**

- Type: 2.5mm stereo plug/stripped & tinned; shielded
- Length: 72 inches
- Jacket: gray PVC
- Conductor: .12mm x 10
- Shield: 12mm x 28
- Cable O.D.: 3.5mm

Your source for quality electronics. Toll-free full service

(800) 346-6873

<http://www.mouser.com>

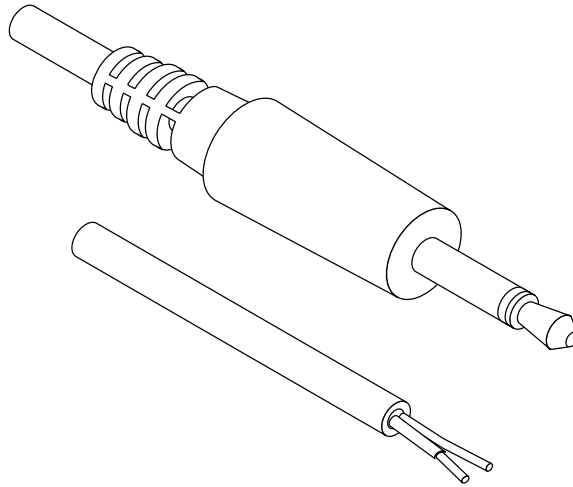
**Specifications:**

- Type: stereo plug/stripped & tinned; shielded
- Length: 72 inches
- Wire size: 26AWG
- Conductor: .12mm x 10
- Shield: 12mm x 28
- Cable OD: 3.5mm
- Jacket: black PVC
- Conductor (color to plug connection):
white ~ tip, red ~ ring, copper ~ sleeve

Your source for quality electronics. Toll-free full service.

(800) 346-6873

<http://www.mouser.com>

**Specifications:**

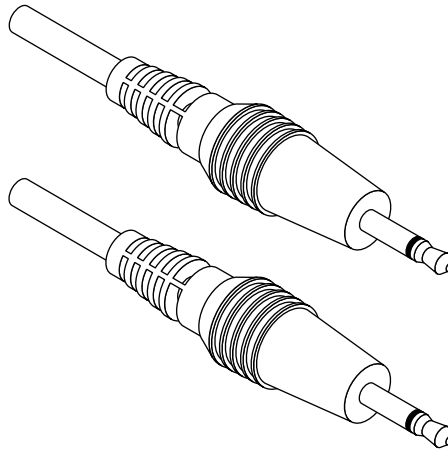
- Jacket: black PVC
- Conductor: 12mm x 10 (shielded type)
14mm x 14 (parallel type)
- Shield: 12mm x 28 (where applicable)
- Cable O.D.: 3.5mm (shielded type)
1.8mm x 3.6mm (parallel type)

Mouser Stock No.	Fig.	Lth. (In.)	Color	Description
172-2106	4	72	Black	2.5mm mono plug/stripped & tinned

Your source for quality electronics. Toll-free full service

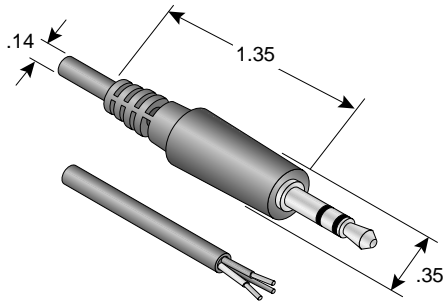
(800) 346-6873

<http://www.mouser.com>

**Specifications:**

- Type: 3.5mm mono plug/
3.5mm mono plug
- Length: 60 inches
- Jacket: black PVC
- Conductor: .12mm x 10
- Shield: 12mm x 28
- Cable O.D.: 3.5mm

Dimensions (In.)

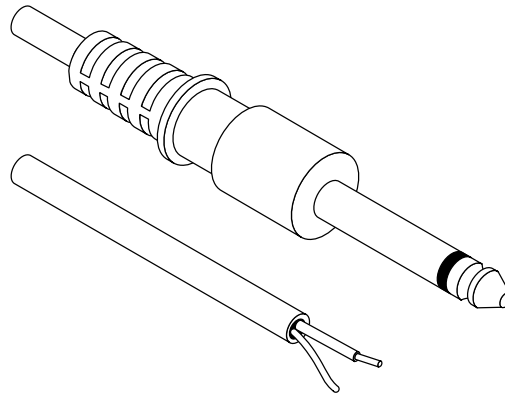


Specifications:

- Jacket: black PVC
- Conductor: 12mm x 10 (shielded type)
- Shield: 12mm x 28
- Length: 72 inch
- Color: gray

Your source for quality electronics. Toll-free full service

(800) 346-6873

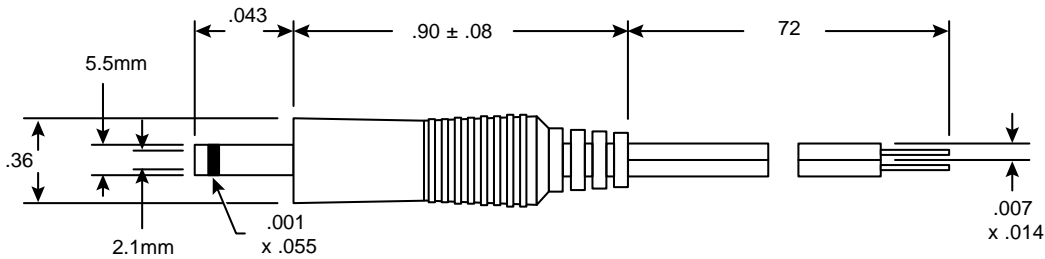
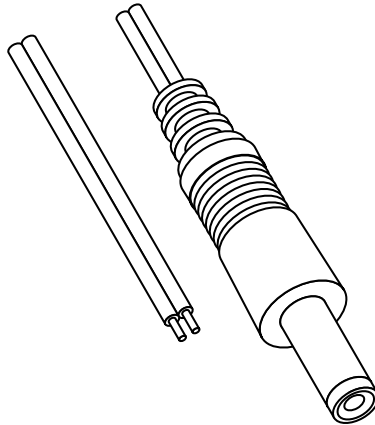
**Specifications:**

- Type: 1/4" mono plug/stripped & tinned; shielded
- Length: 72 inches
- Jacket: black PVC
- Conductor: .12mm x 10
- Shield: 12mm x 28
- Cable O.D.: 3.5mm

Your source for quality electronics. Toll-free full service

(800) 346-6873

<http://www.mouser.com>



Dimensions (In.)

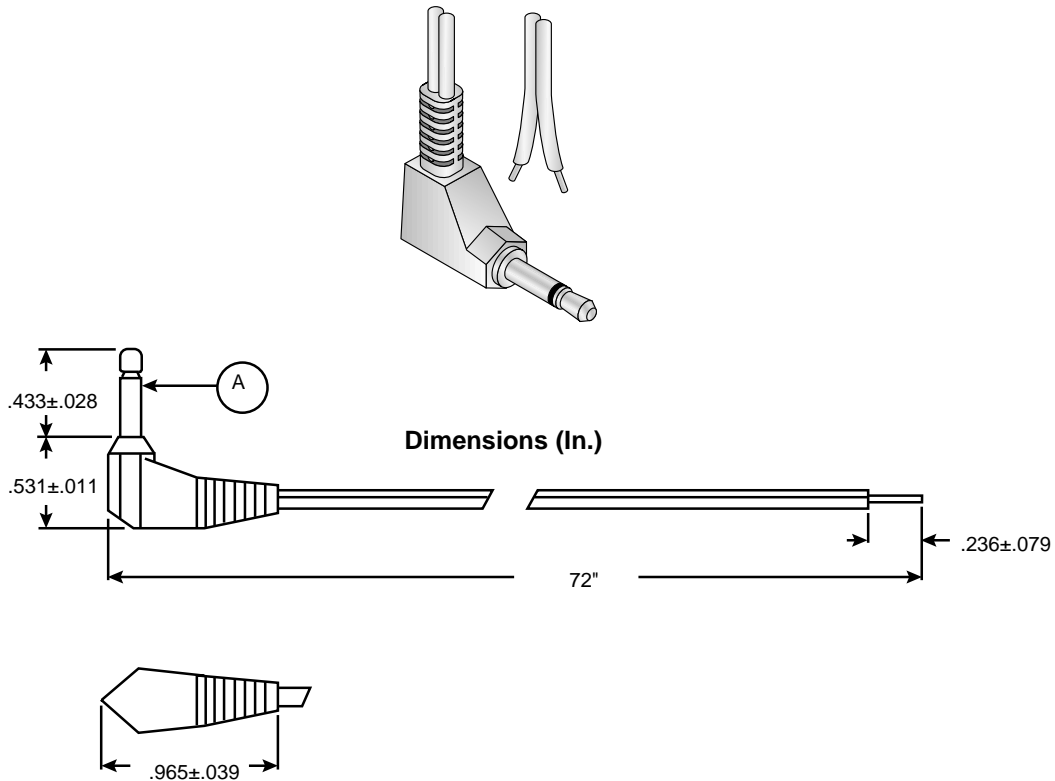
Specifications:

- Type: 2.1mm DC Power plug/stripped & tinned
- Cord type: parallel w/ striped pin indicator
- Wire size: 24AWG
- Jacket: Black PVC
- Plug handle O.D.: .36"

Your source for quality electronics. Toll-free full services

(800)346-6873

<http://www.mouser.com>



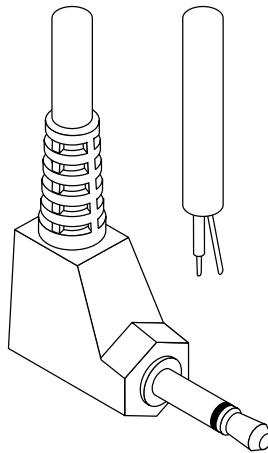
Specifications:

- Jacket: gray PVC
- Conductor: .004 x 10 (shielded types)
.006 x 14 (parallel types)
- Shield: .004 x 28 (where applicable)
- Cable O.D.: .138 (shielded types)
.071 x .142 (parallel types)
- Cable: 26AWG zip cord

Mouser Stock No.	Length (In.)	Color	A Termination	Cable Type
172-2003	72	Gray	2.5mm Mono Plug/Stripped	Parallel
172-2005	72	Gray	3.5mm Mono Plug/Stripped	Parallel

Your source for quality electronics. Toll-free full service

(800) 346-6873

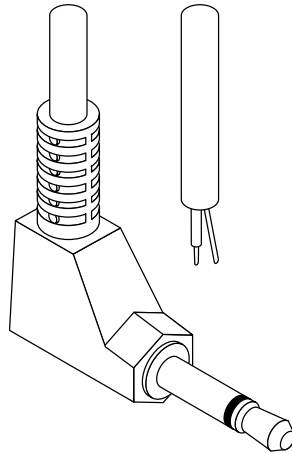
**Specifications:**

- Type: 2.5mm mono plug/stripped & tinned; shielded
- Length: 72 inches
- Jacket: gray PVC
- Conductor: .12mm x 10
- Shield: .12mm x 28
- Cable O.D.: 3.5mm

Your source for quality electronics. Toll-free full service

(800) 346-6873

<http://www.mouser.com>

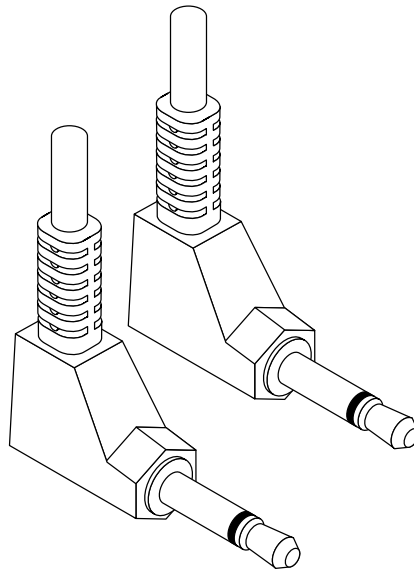
**Specifications:**

- Type: 3.5mm mono plug/stripped & tinned; shielded
- Length: 72 inches
- Jacket: gray PVC
- Conductor: .12mm x 10
- Shield: .12mm x 28
- Cable O.D.: 3.5mm

Your source for quality electronics. Toll-free full service

(800) 346-6873

<http://www.mouser.com>



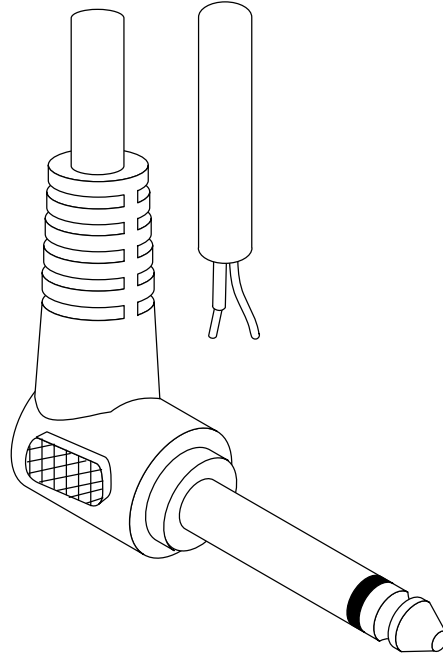
Specifications:

- Type: 3.5mm mono plug/plug; shielded
- Jacket: gray PVC
- Conductor: .12mm x 10
- Shield: .12mm x 28
- Cable O.D.: 3.5mm
- Length: 172-2007 - 60 inches
172-2008 - 72 inches

Your source for quality electronics. Toll-free full service

(800) 346-6873

<http://www.mouser.com>

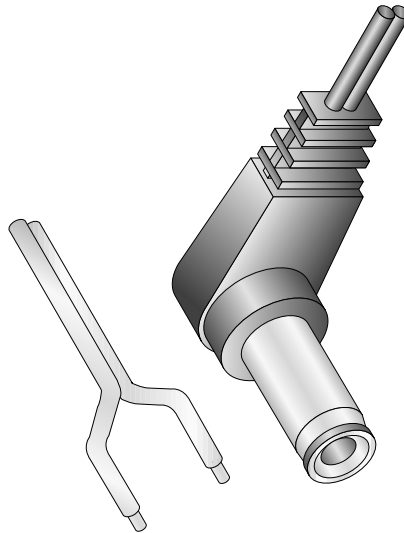
**Specifications:**

- Jacket: gray PVC
- Conductor: .12mm x 10 (shielded types)
.14mm x 14 (parallel types)
- Shield: .12mm x 28 (where applicable)
- Cable O.D.: 3.5mm (shielded types)
1.8mm x 3.6mm (parallel types)
- Type: 1/4" mono plug / stripped and tinned, shielded
- Length: 72 inches

Your source for quality electronics. Toll-free full service

(800) 346-6873

<http://www.mouser.com>



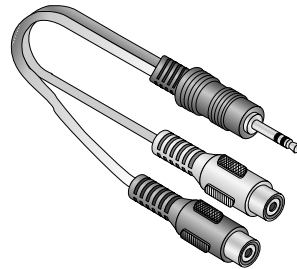
Specifications:

- Jacket: gray PVC
- Conductor: .14mm x 14 (parallel types)
- Cable O.D.: 1.8mm x 3.6mm (parallel types)
- Plug I.D.: 2.1mm
- Plug O.D.: 5.5mm
- Plug length: 11mm ± .5mm

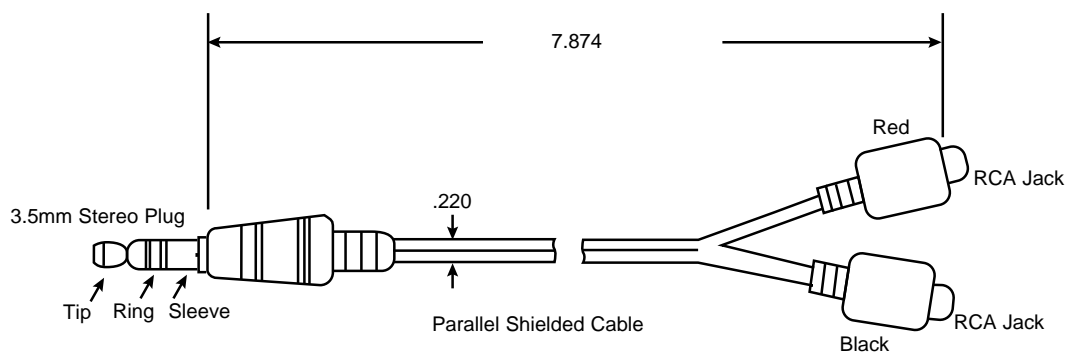
Mouser Stock No.	Length (In.)	Color	Termination	Cable Type
172-4001	72	Gray	2.1mm power plug/striped	Parallel

Your source for quality electronics. Toll-free full service

(800) 346-6873



Dimensions (In.)

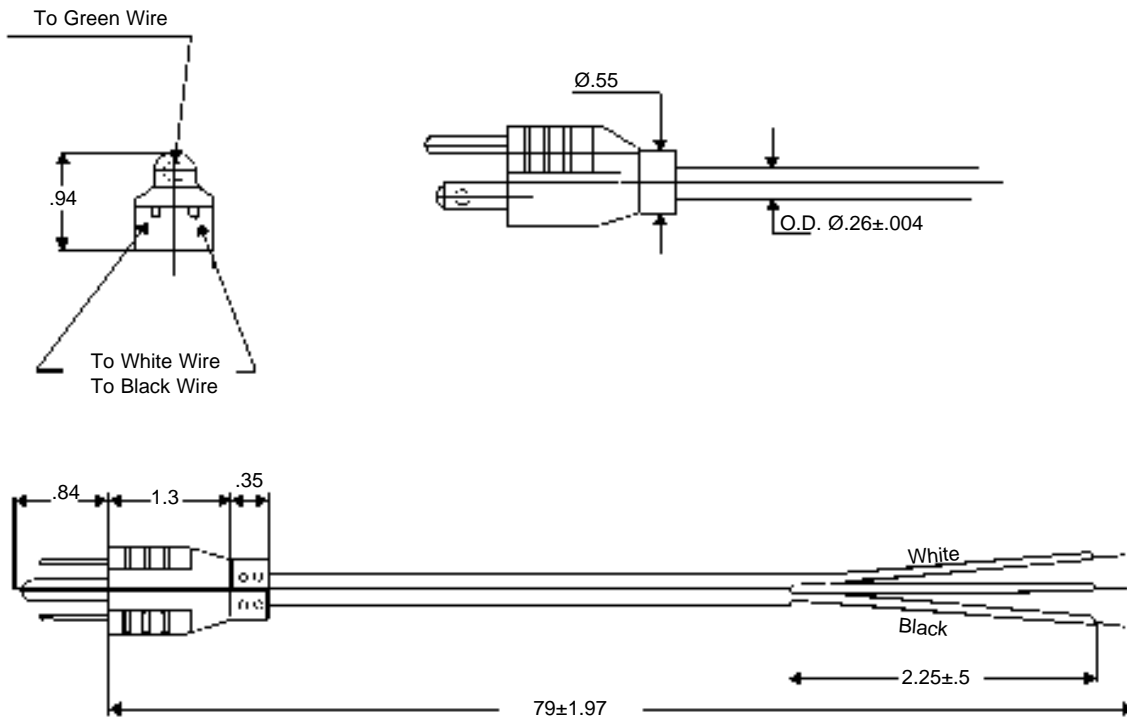
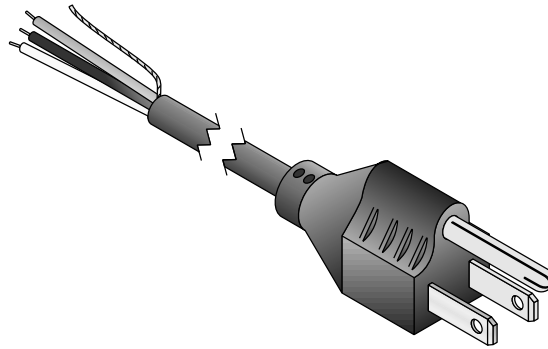


Connections: Tip of plug to center of RCA Jack (Red)
Ring of plug to center of RCA Jack (Black)
Sleeve of plug to sleeves of RCA Jacks

Material Specifications:

- Cable: 26 AWG (.16mm, 7 strands) + shield (.12mm, 30 strands)
- Cable covering: black matted PVC
- Molded plug and jack covering: molded PVC
- 3.5mm plug and RCA jacks: nickel plated brass
- Max. operating temperature: 80°C

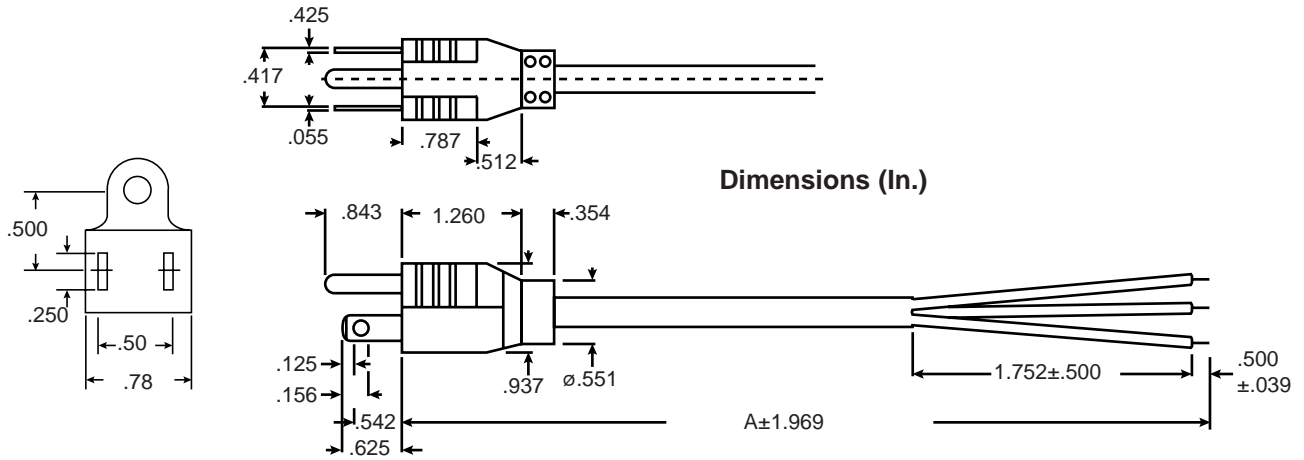
Your source for quality electronics. Toll-free full service
(800) 346-6873



Specifications:

- Cable: SVT 3C 18AWG (34/41) Shielded
- Insulation: PVC
- Outer Jacket: Black PVC
- Rating: 10A 125V

Your source for quality electronics. Toll-free full service
(800) 346-6873



Specifications:

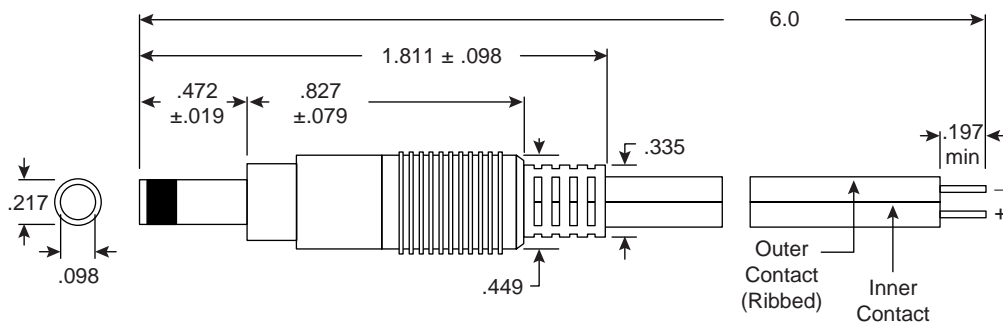
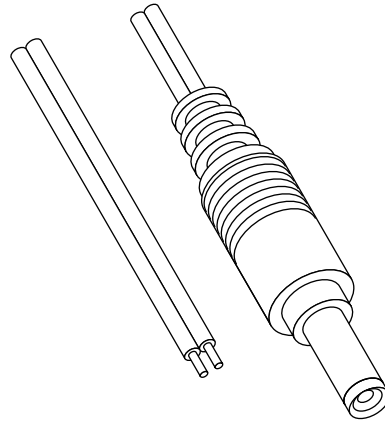
- Temperature: 60°C
- Rated: AWG- 18 16 14
 Volts- 125 125 125
 Amps- 10 13 15
 Watts- 1250 1625 1875



UL listed E-58406
 CSA certified LL47236

Mouser Stock No.	Type of Conductor	Size AWG	Color	Length (feet)	Dimensions A
173-73102	SJT	18/3	Black	8	96"
173-53101	SVT	18/3	Black	6	72"
173-53102	SVT	18/3	Black	8	96"
173-53121	SVT	18/3	Gray	6	72"
173-73101	SJT	18/3	Black	6	72"
173-75102	SJT	16/3	Black	8	96"
173-78101	SJT	14/3	Black	6	72"

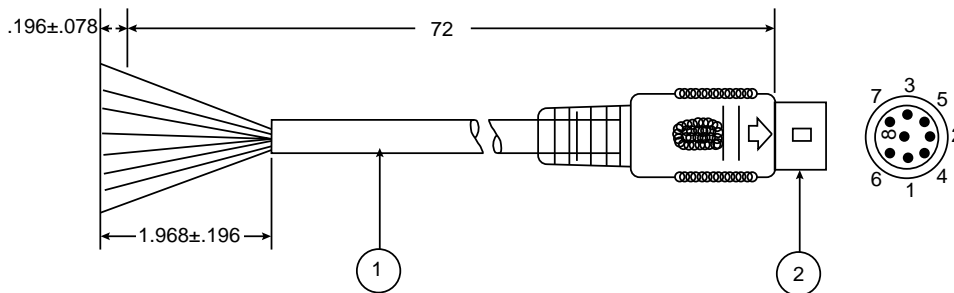
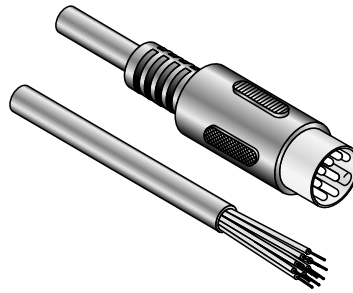
Your source for quality electronics. Toll-free full service
(800) 346-6873



Dimensions (In.)

Specifications:

- Type: 18AWG 2C SPT-1
- PVC jacket: OD = .10" x .22"
- Voltage: 300V
- Temperature: 60°C
- Current rating: 10A
- ID & OD tolerance: ± .002

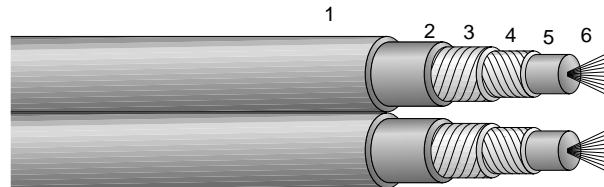


Specification:

1. No UL 26AWG 8C =1 shield
6 Ft Color - Black
Shield Al-mylar wrap O.D.5.0m/m
2. Temperature rating = 60°C
3. Voltage rating = 300V
4. 8 p DIN male pin 270°
5. Jacket strip 50mm tin dip 5mm

No. of pins	Wire Color
1	Red
2	Yellow
3	Blue
4	Orange
5	Green
6	Brown
7	Gray
8	Violet

Your source for quality electronics. Toll-free full service
(800) 346-6873



1	Jacket	PUR, \varnothing 2 x 6.9mm
2	Separation	PVC, \varnothing 2 x 5.5mm
3	Shield 1	Bare copper wire (0.13mm)
4	Shield 2	Bare copper wire (0.13mm)
5	Insulation	PVC \varnothing 2 x 4.0mm
6	Conductor	Bare copper wires 2 x 50 x 0.25mm (2.50mm ²)

Specifications:

- Conductor resistance: <7.6 Ω /KM
- Shield resistance: <7.8 Ω /KM
- Capacitance: conductor/conductor <450PF/KM
- Insulation resistance: >200M Ω /KM

Mouser Stock No.	Gotham Type	Conductor x AWG	Stranding	Jacket O.D. (In.)	Jacket Color
178-1780	GAC-SPK 4	2 x 10	50 x 30	2 x .272	Blue

Your source for quality electronics. Toll-free full service
(800) 346-6873



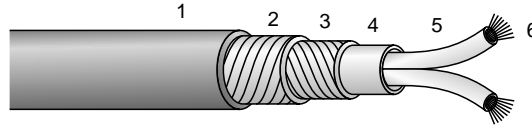
Specifications:

- RG-59U cable: 6 feet
- Conductor: copper clad steel wire dia. = 0.65mm
- Size: $(1/0.65 \pm 1C + AL + 32/0.12) \pm 1C$
- Insulation: low density PE
- Shielded: AL+ braid 32/0.12 mm OFC
- Jacket: PVC mat black
- Jacket PVC temperature rate: 80°C
- Nom. impedance: 75 Ω
- Nom. capacitance: 68.5 pf/N

Your source for quality electronics. Toll-free full service

(800) 346-6873

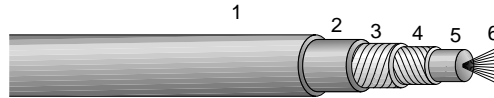
178-1715	178-1717M	178-1720	178-1723M
178-1715M	178-1718	178-1721	
178-1716	178-1718M	178-1722	Audio Cable
178-1716M	178-1719	178-1722M	
178-1717	178-1719M	178-1723	



Specifications:

- 1 = Jacket: PVC, \varnothing 5.4mm +/- 0.3mm (colors as specified below)
- 2 = Shield No 1: bare copper wire (0.10mm)
- 3 = Shield No 2: bare copper wire (0.10mm)
- 4 = PVC separation: \varnothing 3.1mm +/- 0.15mm, white, tube
- 5 = Insulation (cond.): PVC white and brown, \varnothing 1.2mm +/- 0.05mm, wrapped, twisted pair
- 6 = Conductor: bare copper wires 48 x 0.07mm (0.18mm²)
- Conductor resistance: \leq .110 Ω /m
- Shielding resistance: \leq .02 Ω /m
- Capacitance: cond-to-cond: \leq 160pf/m
cond-to-shield: \leq 220pf/m
- Test voltage: cond-to-cond: 500 Veff
cond-to-shield: 2000 Veff
- Colors: black, red, yellow, grey, blue, mint, pink
- Reels @: 100m (packed in Gotham box)
- Weight/reel: 4.4kg
- Weight/meter: 0.037kg
- Gotham standard two conductor professional microphone cables feature our reussen shield and a unique separation tube.
- Low noise: Dual served "Reussen" shield with a minimum noise attenuation of 95dB at 25KHz and effective up to 25MHz.
- Pitch: A tight twisting angle of the conductors results in a very good mechanical strength and a high RF - rejection.
- Ultraflexible: A special soft PVC compound is used on our outer jacket and separation tube together with fine conductor stranding and Reussen shield result in a very flexible cable.
- Separation tube: A unique tube separates the conductors from the shields adding to the insulation between conductor and shield reducing the capacitance. This tube also adds greatly to the mechanical strength especially at the connector strain relief.
- Colors: A range of 7 individual discrete non reflective pale colors for easy identification of different cables
- GAC-2 two conductors cables are suitable for all balanced audio application. However, the separation tube design is not suitable for unbalanced signals as this would create a high microphonic effect.

Your source for quality electronics. Toll-free full service
(800) 346-6873



1	Jacket	PUR, \varnothing .268"
2	Separation	PVC, \varnothing .240"
3	Shield 1	Bare copper
4	Shield 2	Bare copper
5	Insulation	PVC \varnothing .157
6	Conductor	Bare copper 10AWG (50 x 30)

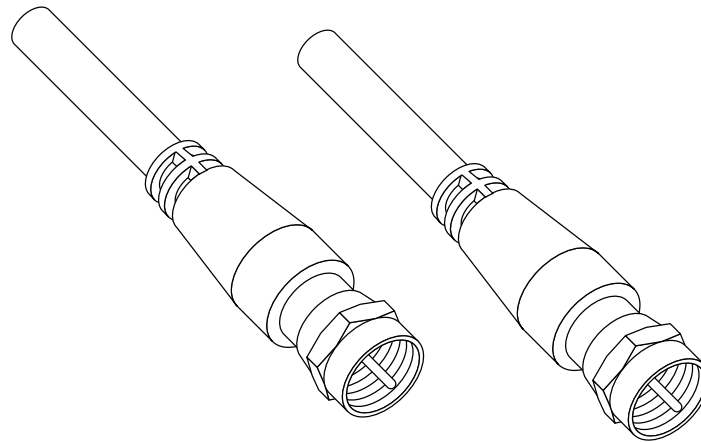
Specifications:

- Conductor resistance: $<7.6 \Omega/\text{KM}$
- Shield resistance: $<7.8 \Omega/\text{KM}$
- Capacitance: conductor/conductor $<450\text{PF}/\text{KM}$
- Insulation resistance: $>200\text{M}\Omega/\text{KM}$

Mouser Stock No.	Gotham Type	Conductor x AWG	Stranding	Jacket O.D. (In.)	Jacket Color
178-1781	GAC-SPK 2	1 x 10	50 x 30	.268	Blue

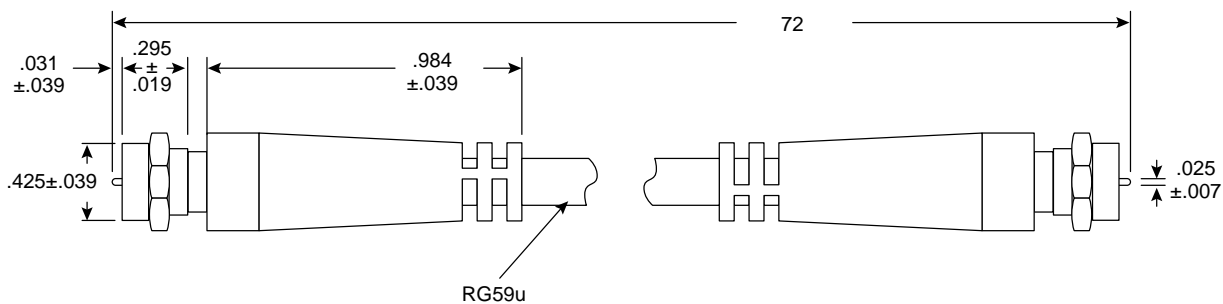
Your source for quality electronics. Toll-free full service

(800) 346-6873



F Plug

F Plug



Dimensions (In.)

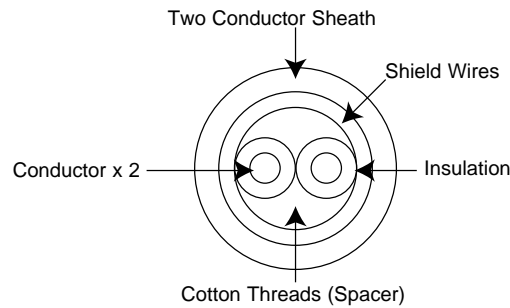
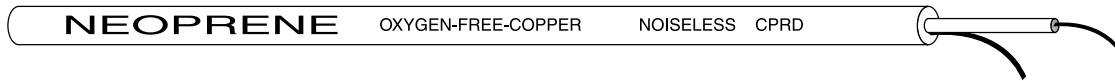
Specifications:

- Type: F to F screw-on, shielded
- Color: black
- Conductor: copper clad steel
- Insulation: low density polyethylene
- Shielding: tinned copper, 96% coverage
- Jacket: PVC mat black (80°C)
- Impedance: 75Ω
- Capacitance: 68.5pF/m

Your source for quality electronics. Toll-free full services

(800)346-6873

<http://www.mouser.com>



Oxygen free copper cable provides superior current carrying characteristics and high frequency response. The low qualities combines with the flexible neoprene jacket makes it ideally suited for audiophile or studio applications.

Specifications:

- OFC conductor / shield
- Super flexible
- Low noise
- High frequency response

Material Specifications:

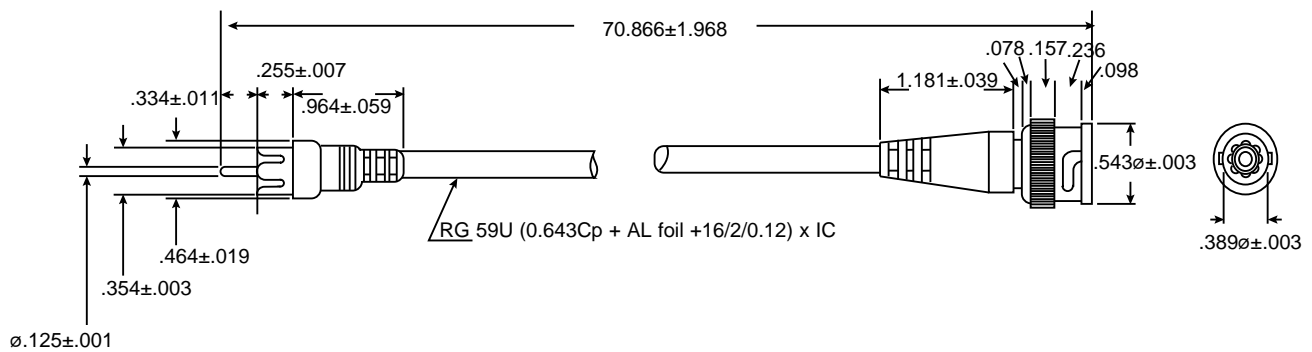
- Jacket: soft vinyl (PVC)
- Insulation: soft polyethylene
- Shield: braid, OFC
- 99.99997% pure copper wire

Mouser Stock No.	No. of pins	Conductor Stranding	Jacket O.D.	Color
172-6522FT	2	12 x .18mm	6.5mm	Red

Your source for quality electronics. Toll-free full service

(800) 346-6873

<http://www.mouser.com>



Specifications:

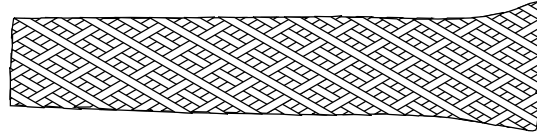
- OD: 6.0±0.1 with black PVC jacket L1800mm RCA plug to BNC male plug
- Conductor: Copper clad steel dia. = 0.65
- Size: (1/0.65 x IC + AC + 32 /.12) x IC OD = 6.5
- Insulation: Low density PE
- Shield: AL braid 32/0.12mm OFC
- Jacket: PVC material black
- Jacket PVC temperature rate: 80°C
- Nom impedance: 75Ω
- Nom capacitance: 68.5pf/m
- P/N 172-2130: Hi-rel BNC plug to RCA plug
- P/N 172-6670: Standard BNC plug to RCA plug

Your source for quality electronics. Toll-free full service
(800) 346-6873

MOUSER[®] ELECTRONICS

172-51125(FT) 172-51500(FT)
 172-51187(FT) 172-51625(FT)
 172-51250(FT) 172-51750(FT)
 172-51370(FT) 172-51100(FT)

Tinned Copper
Flat Braid



Tinned Copper Flat Braid

Specifications:

- Description: Each strand soft drawn tinned copper wire meets Federal Specifications. QQ-W-343D types and ASTM-B-33.
- Shield coverage: 95% + when placed over mandrel of equivalent diameter to that of braid interior.

Mouser Stock No.	Nominal O.D. When Rounded		Braid Construction			Approx. AWG Equiv.	Nominal Circular Mil Area, CM	Current Carrying Capacity (Amps)*
	Inches	mm	AWG of Indiv. Ends	Carrier	Total No. Indiv. Ends			
172-51125(FT)	1/8	3.18	36	24	120	15	3000	25
172-51187(FT)	5/32	3.97	36	24	240	12	6000	40
172-51250(FT)	11/64	4.37	36	24	168	14	4200	32
172-51375(FT)	13/64	5.16	34	24	192	11	7630	46
172-51500(FT)	1/4	6.35	36	24	384	10	9600	53
172-51625(FT)	9/32	7.14	30	24	120	9	12060	60
172-51750(FT)	3/8	9.53	36	48	384	10	9600	53
172-51100(FT)	7/16	11.11	30	24	240	6	24120	90

* Values shown are for bare cable in free air @ 30°C (86°F) and intended as a reference guide only. Actual values will depend on permissible temperature rise, permissible voltage drop and other conditions of service.

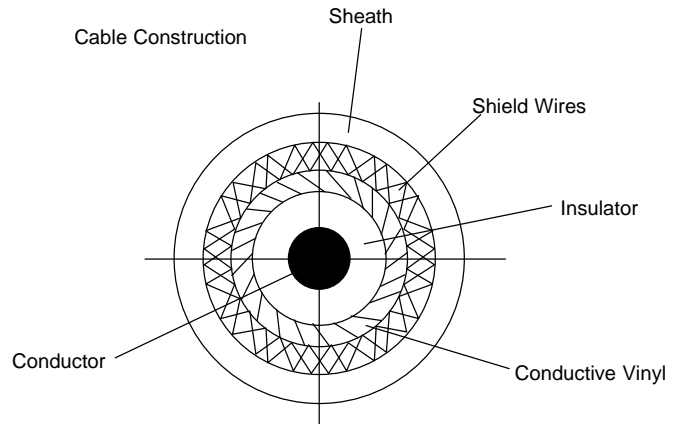
MOUSER STOCK NO. 172-51125(FT), 51187(FT), 51250(FT), 51375(FT), 51500(FT), 51625(FT), 51750(FT), 51100(FT)

8- 031757

Your source for quality electronics. Toll-free full service

(800) 346-6873

NEOPRENE OXYGEN-FREE-COPPER NOISELESS CPRD



Construction	Conductor		Single (1)	
	Construction	Section Area	mm ²	.22
		Diameter	mm	.12
		Material	==	Soft OFC
		Strand Wire Dia.	/ mm	.12 OFC
		O.D.	mm	.62
	Construction	Material	==	Soft Polyethylene
		Thickness	mm	.69
		Tol. (±)	mm	.10
		O.D.	mm	2.00
		Color	==	Natural
	Vinyl Jacket	T.	mm	.25
		O.D.	mm	2.50
	Shield Wire	Form	==	Braided Shield
		Material	==	Soft OFC
		Numbers/ Wire Dia.	/ mm	4x16=64 wires .12 OFC
		Pitch	mm	.25
		O.D.	mm	3.00
	Sheath	Material	==	Soft Vinyl
		Thickness	mm	1.75
Tol. (±)		mm	.10	
Color		==	Black	
Final O.D.		mm ²	6.50 (approx.)	

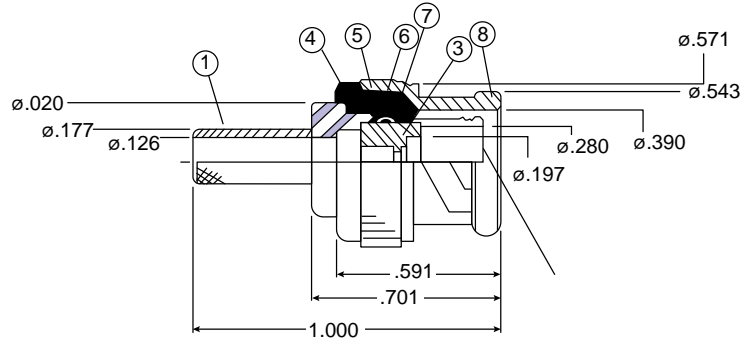
Specifications:

- Insulator: tensile strength --- 1Kgs./mm²
elongation ----- 100%
- Sheath: tensile strength --- 1 Kgs./mm²
elongation ----- 120%
- Test voltage: 1000VAC for 1 minute
- Insulation resistance: 20°C MΩ/KM -- 5MΩ
- Conductor resistance: 20°C Ω/Km --- 81.0Ω
- Impedance: 65Ω
- Electrostatic capacity: 160
- Pure copper wire: 99.99997%

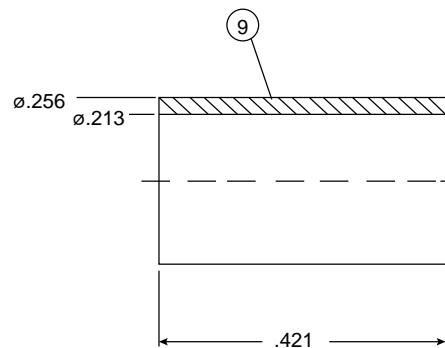
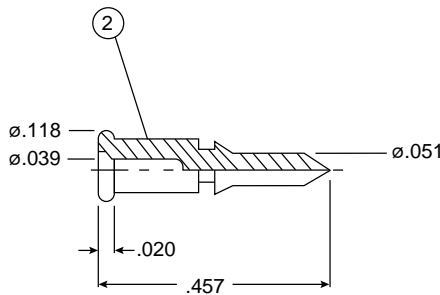
Your source for quality electronics. Toll-free full service

(800) 346-6873

<http://www.mouser.com>



Dimensions (In.)



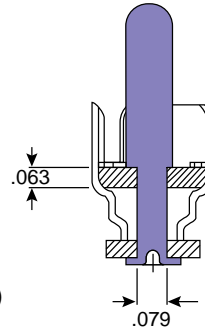
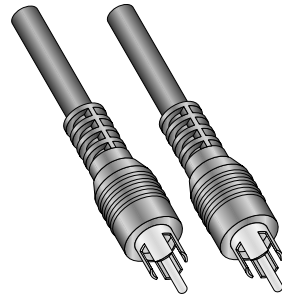
Specifications:

- Conductor: tinned copper (TC)
- Insulation PE color: original jacket PVC black matt
- Conductor strands: 19
- Conductor cross section: $\text{mm}^2 .48$
- Conductor outer dia.: $.91\text{mm}$
- Insulator material: PE
- Insulator outer dia.: 2.90mm
- Jacket material: PVC
- Jacket putter dia.: 5.0mm
- Jacket strength: room temp. $1.03\text{Kg} / \text{mm}^2$
- Jacket extension ration: room temp. 260%
- Capacitance: room temp.: 98.7 Pf/m
- Hi-Hot test: $3\text{Kv} / .15 \text{ sec.}$
- Voltage test: 500V for 1 minute

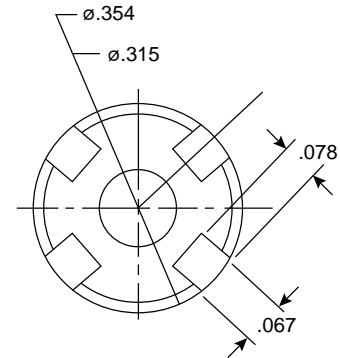
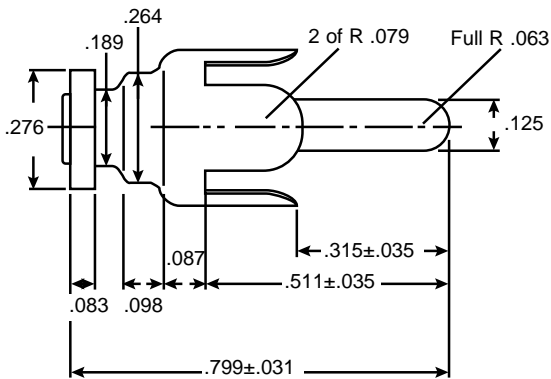
No.	Description	Materials	Finish
1	Body	Brass	Nickel
2	Pin	Brass	Gold
3	Insulation	Delay	
4	Washer	Brass	Nickel
5	Spring	SK-5	Nickel
6	Washer	Brass	Nickel
7	Gaskets	SI Rubber	
8	Shell	Brass	Nickel
9	Ring	Brass	Nickel

Your source for quality electronics. Toll-free full service

(800) 346-6873



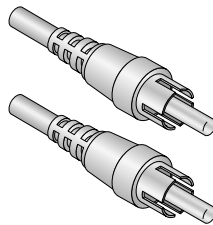
Dimensions (In.)



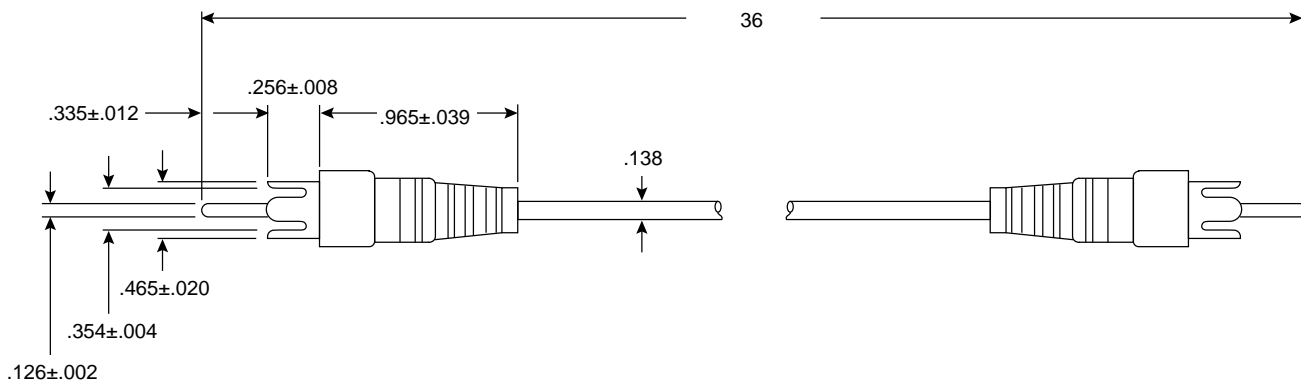
Specifications:

- Conductor: tinned copper (TC)
- Insulation color: original jacket PVC black matt
- Jacket strength (room temp.): 1.03KG/mm²
- Jacket extension (room temp.): 260%
- Capacitance (room temp.): 98.7 PF/NM
- Hi-hot test: 3KV / .15 sec.
- Voltage test: 500V / 1 minute

Your source for quality electronics. Toll-free full service
(800) 346-6873



Dimensions (In.)

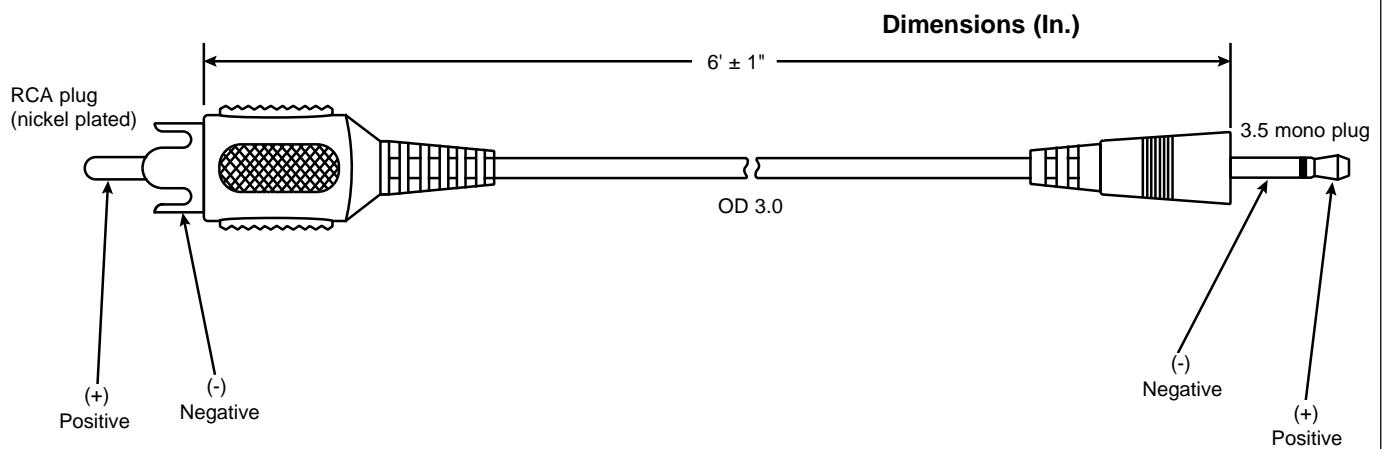
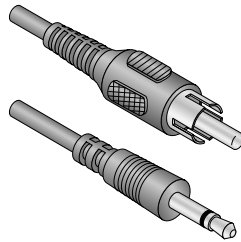


Specifications:

- Cable: 1 conductor shielded w/ PVC jacket
- Temperature rated: 60°C
- Voltage: >4VDC
- Resistance: .15Ω/meter
- Capacitance: .180±5% pt/m 1KHz >5°C
- Color: gray

Your source for quality electronics. Toll-free full service

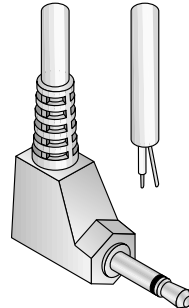
(800) 346-6873

**Specifications:**

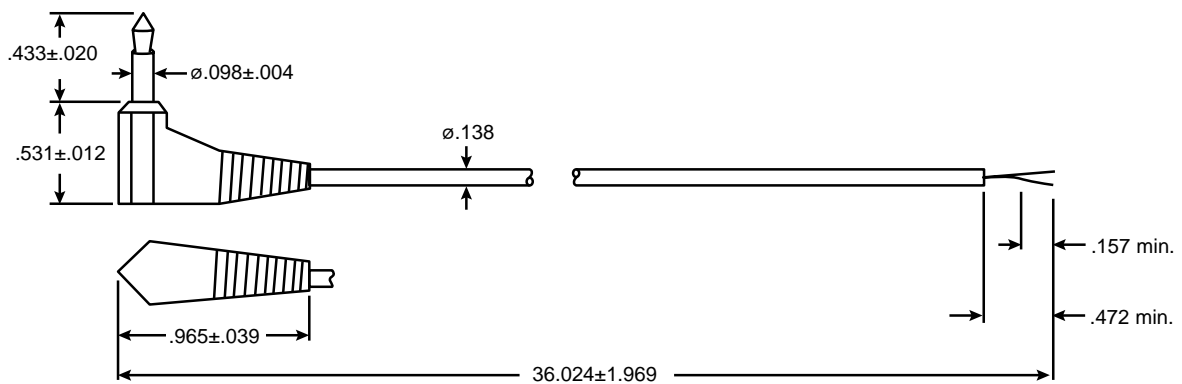
- Single shield black cable

Your source for quality electronics. Toll-free full service

(800) 346-6873



Dimensions (In.)

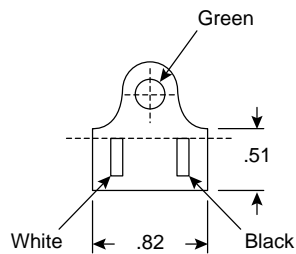
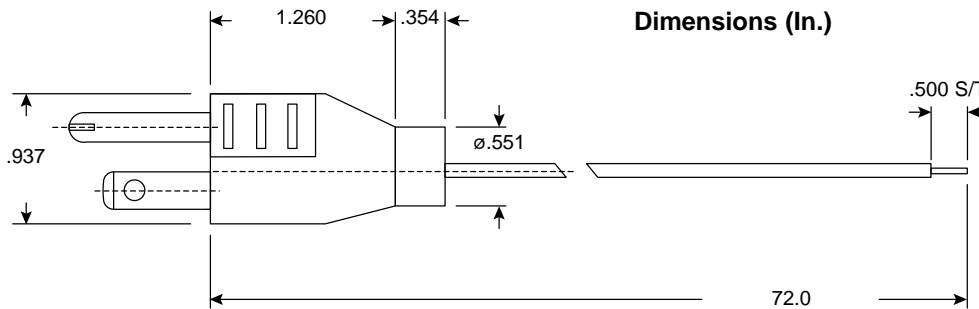
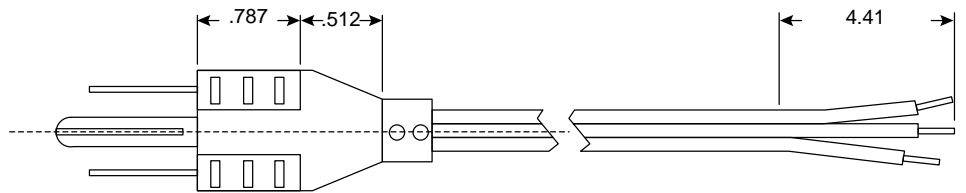
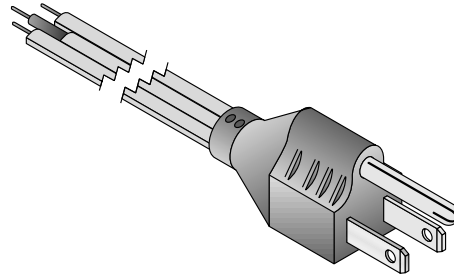


Specifications:

- 2.5 mono plug right angle to strip and tinned
- Cable: (10/0.12 + 30/0.12) x IC
- O.D.: 3.5ø
- Jacket: IC shield w/ black PVC
- Cable length: 36 inch
- Temperature: 60°C
- Voltage: 24VDC

Your source for quality electronics. Toll-free full service

(800) 346-6873



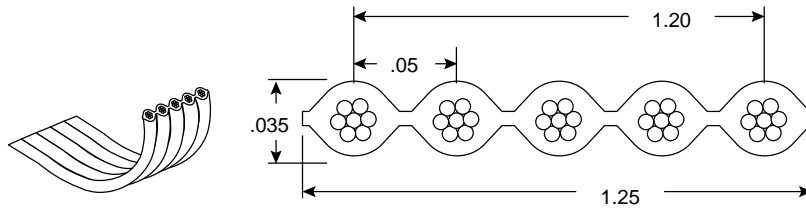
Specifications:

- Voltage rating: 125V
- Current rating: 10A
- Temperature rating: 60°C
- Conductors: 18 AWG/3
- UL cord type: SPT-2
- UL number: E58406
- CSA number: LL47236
- Color: black

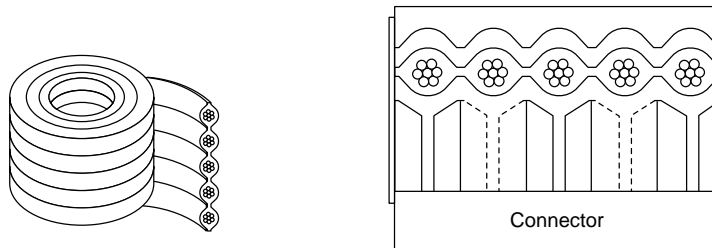
Your source for quality electronics. Toll-free full service

(800) 346-6873

<http://www.mouser.com>



Dimensions (In.)



Specifications:

- Conductor size: 28 AWG
- Color: gray
- Edge polarizing stripe
- Conductor spacing: .050"
- Conductor material: 7/36 stranded copper wire, tin plated
- Insulation: 300V/105°C PVC (polyvinylchloride)
- Voltage rating: 300V (150V for 96 conductor)
- Insulation thickness: 9 mil (average), 7 mil (minimum)
- Flammability rating: VW-1

Physical Properties:

- Average Tensile strength: 1500lbs/inch²
- Percent of original: 70% @ least
- Average elongation: 200%
- Percent of original: 65% @ least

Electronic Characteristics:

- Spark test: 2500V
- Dielectric strength test: min. 2KV for 1 minute
- Conductor resistance: max. 237Ω/km
- Insulation resistance: min. 1GΩ/m
- Capacity: 40PF/m
- Inductance: 1.45μH/m
- Impedance: 100Ω
- Propagation delay time: 4.2ns/m



C22.2 No. 210.2

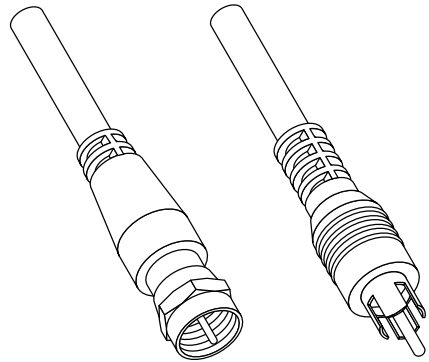


2851

Your source for quality electronics. Toll-free full service

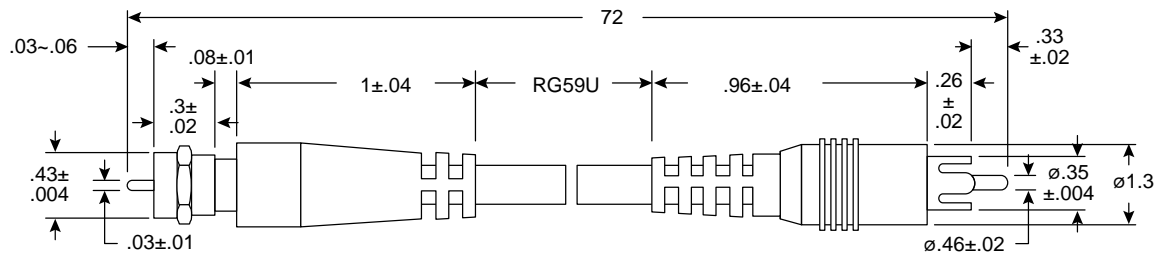
(800) 346-6873

<http://www.mouser.com>



F Plug

RCA Plug



Dimensions (In.)

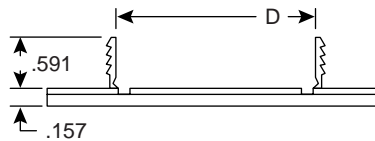
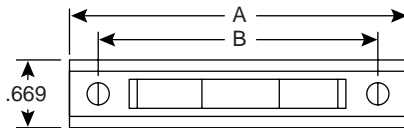
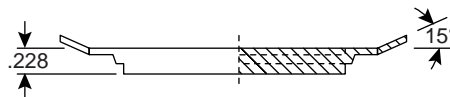
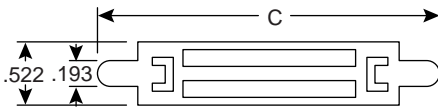
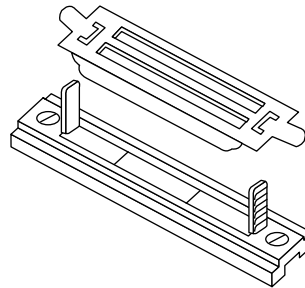
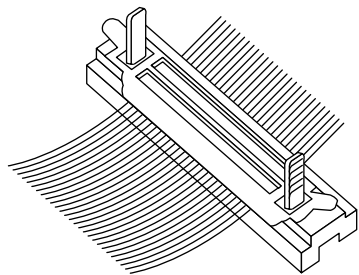
Specifications:

- Type: shielded, F to RCA plug
- Shield: al + braid 32/0.12mm OFC
- Jacket: PVC, black
- Conductor: copper clad steel
- Size: (1/0.65 x IC + AL + AL + 32/0.12) x IC
- Insulation: low density polyethelene
- Impedance: 75Ω
- Capacitance: 68.5 pf/m
- Temperature rating: 80°C

Your source for quality electronics. Toll-free full service.

(800) 346-6873

<http://www.mouser.com>

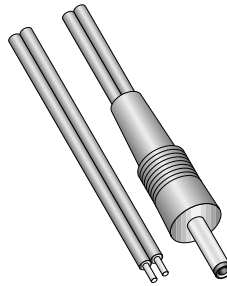


Dimensions (In.)

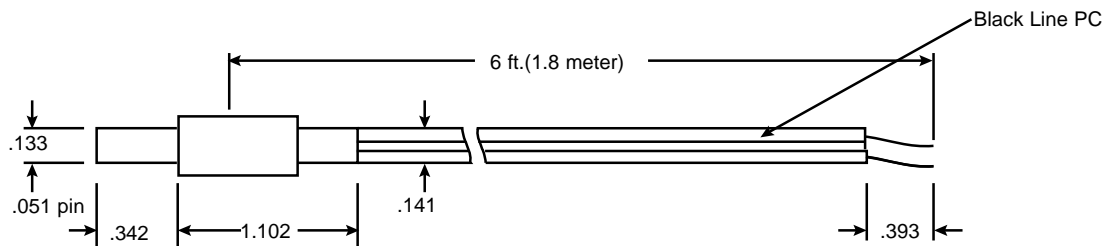
Specifications:

- Type: IDC flat cable clamp
- Material: polypropylene
- Mounting: bolts, rivets, or adhesive pads
- Stacking: allows up to 8 cables
- Other: solves flat cable routing problems, locks securely

Mouser Stock Number	No. of Conductors	A	B	C	D
172-W7700A	Up to 26	2.02	1.65	2.02	1.14
172-W7700B	Up to 40	3.00	2.64	3.00	----
172-W7700C	Up to 64	4.21	3.86	4.21	3.35



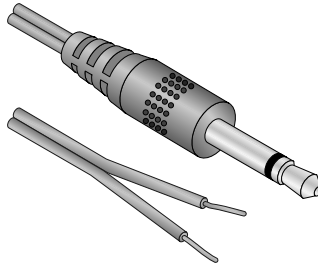
Dimensions (In.)



Specifications:

- Length: 6 ft. (1.8 meter long from solder point to the end)
- Conductor: 0.18 x 7 strands (0.178 square)
- OD: 3.6mm (1.8mm x 2)
- Jacket: PVC/gray with black indication for parity

Your source for quality electronics. Toll-free full service
(800) 346-6873

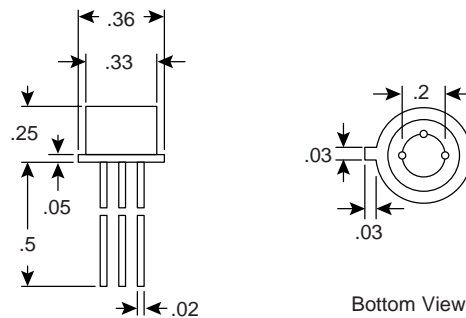
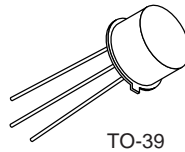
**Specifications:**

- Jacket: black PVC
- Conductor: 14mm x 14
- Cable O.D.: 1.8mm x 3.6mm
- Plug length: 12.0mm ± .5mm

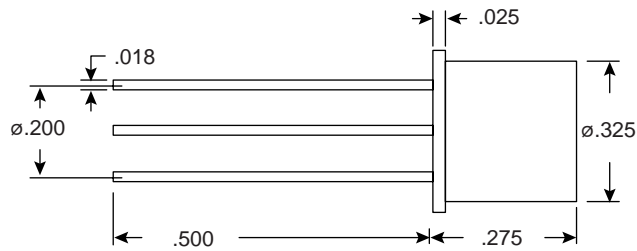
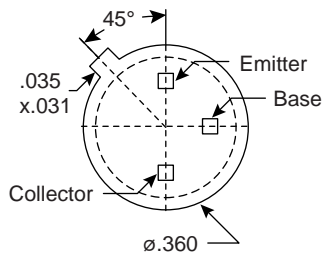
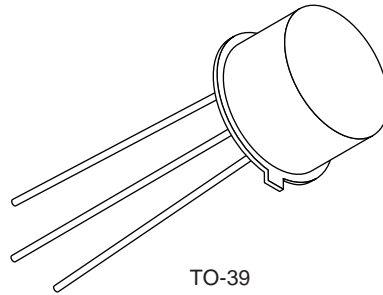
Mouser Stock No.	Length (In.)	Color	Description
172-2103	72	Black	2.5mm mono plug/stripped & tinned, parallel cord

Your source for quality electronics. Toll-free full service

(800) 346-6873

**Dimensions (In.)****Specifications:**

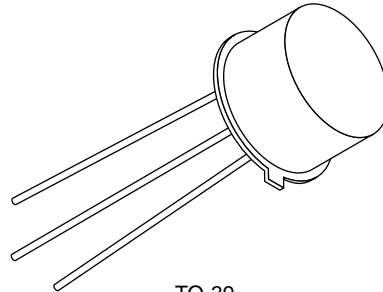
- Type: NPN medium power
- V_{CE0} (sust): 40V min. ($I_c = 200\text{mA}$ max.)
- H_{FE} : 40 min., 120 max. ($I_c = 150\text{mA}$)
- P_D (Amb): 600mW @ 25°C



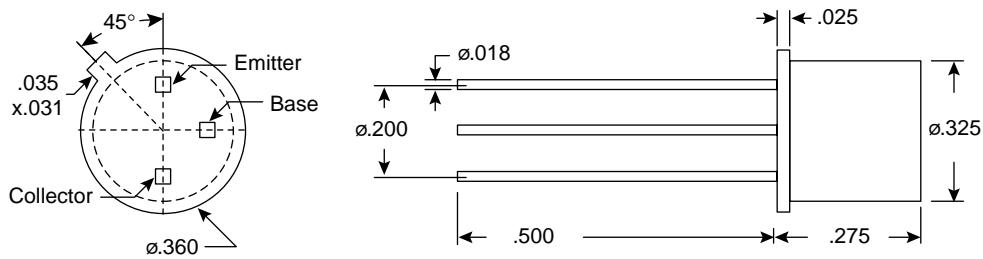
Dimensions (In.)

Specifications:

- Type: NPN general purpose small signal
- V_{CE0} : 40V
- I_c : 1A
- P_d : 1000mW
- H_{FE} : 30 min., 150 max. with V_{CE} @ 1V & I_c @ 250mA
- $V_{CE(sat)}$: 0.6V max. with I_c @ 1A
- f_T : 2MHz min.
- Cob: 100pF max.



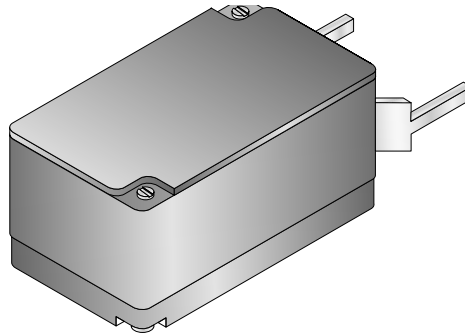
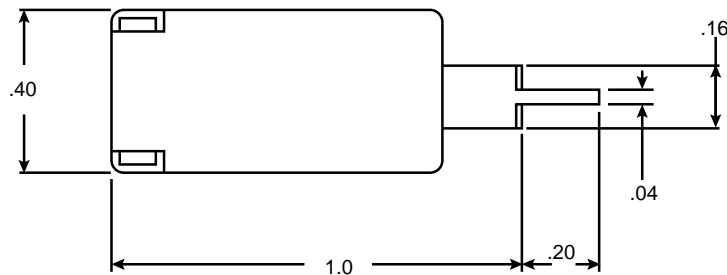
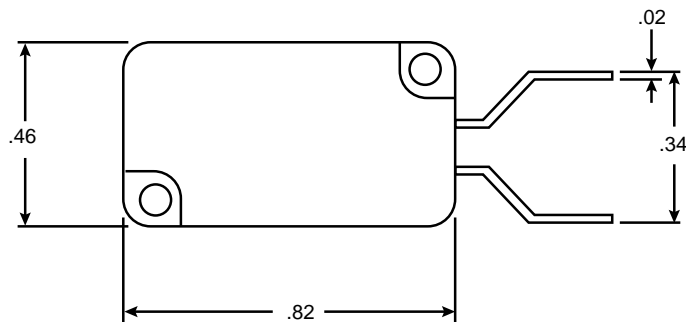
TO-39



Dimensions (In.)

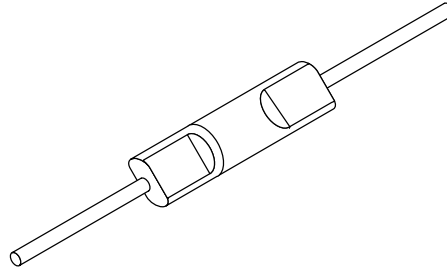
Specifications:

- Type: PNP general purpose small signal
- V_{CE0} : 65V
- I_c : 1A
- P_d : 1000mW
- H_{FE} : 40 min., 140 max. with V_{CE} @ 10V & I_c @ 150mA
- $V_{CE(sat)}$: 0.65V max. with I_c @ .15A
- f_T : 60MHz min.
- C_{ob} : 30pF max.

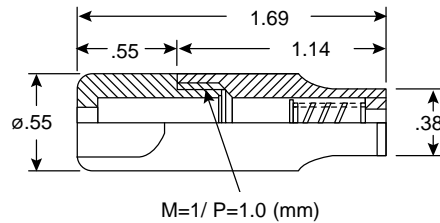
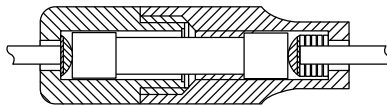
**Dimensions (In.)****Specifications:**

- Rated current: 1.0A
- Rated voltage: 250VAC/24VDC
- Interrupt capacity: 8.0A
- Trip time: less than 50 seconds @ 2.0A, less than 10 seconds @ 3.0A
- Resettable overload capacity: 5.0 a min.
- Voltage drop: Less than 0.25V
- Reset time: 1.5-60 seconds @ 150-200% of rated load 77°F (25°C)
- Insulation resistance: more than 2.5 MΩ
- Temperature rise @ 1.0A: less than 9°F (5°C) at 100% of rated current applied continuously at 77°F (25°C)
- Solder temperature: 500F (200C) for 10 sec.
- Weight: .1 ounce (2.6 grams)

Your source for quality electronics. Toll-free full service
(800) 346-6873



Inside View



Dimensions (In.)

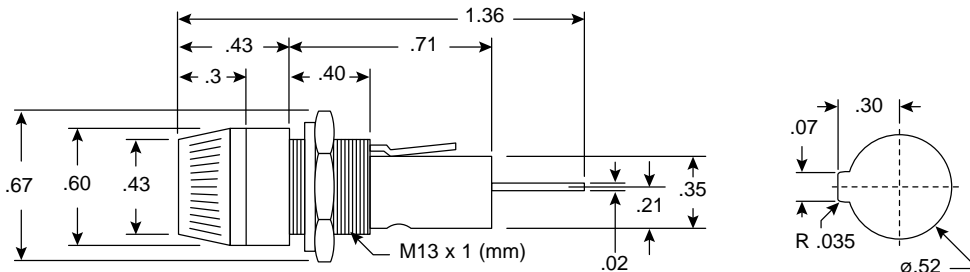
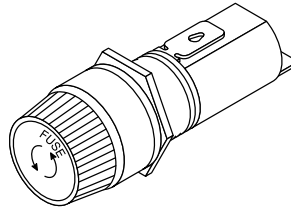
Specifications:

- Type: standard
- Color: black
- Fuse size: $\varnothing.25 \times 1.2$
- Lead length: 18 inches
- Lead: 16AWG
- Rating: 6A/250VAC
- Insulation: $100M\Omega @ 500VDC$
- Breakdown: 1500VAC
- Temperature: $-10^{\circ}C \sim +70^{\circ}C$

Your source for quality electronics. Toll-free full service

(800) 346-6873

<http://www.mouser.com>



Dimensions (In.)

Specifications:

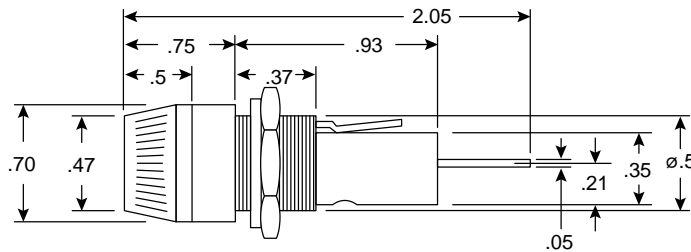
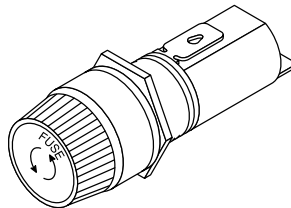
- Type: standard, panel mount
- Color: black
- Fuse size: $\varnothing.25$ " x 1.25"
- Rating: 15A @ 250VAC
- Contact resistance: 50m Ω (max.) @ 1A/25VDC
- Insulation: 100M Ω (min.) @ 500VDC
- Breakdown: 1500VAC for 1 minute
- UL file number: E46754
- CSA file number: LR30024



Your source for quality electronics. Toll-free full service.

(800) 346-6873

<http://www.mouser.com>



Dimensions (In.)

Specifications:

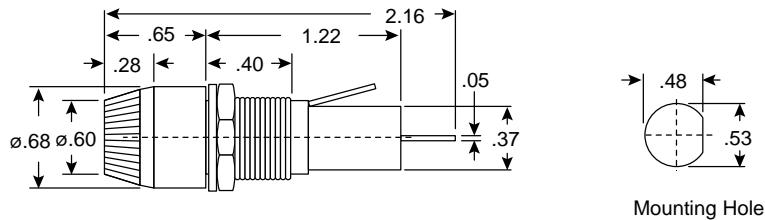
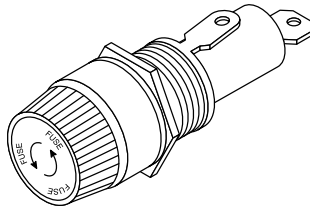
- Type: Standard
- Color: black
- Fuse size: $\varnothing.25$ " x 1.25"
- Rating: 15A @ 250VAC
- Contact resistance: $20\text{m}\Omega$ (max.) @ 1A/25VDC
- Insulation: $100\text{M}\Omega$ (min.) @ 500VDC
- Breakdown: 1500VAC for 1 minute
- UL file number: E46754
- CSA file number: LR30024



Your source for quality electronics. Toll-free full service

(800) 346-6873

<http://www.mouser.com>



Dimensions (In.)

Specifications:

- Cap color: black
- Rating: 10A @ 250VAC
- Insulation: 100M Ω (min.) @ 500VDC
- Dielectric strength: 1,500VAC for 1 minute
- Fuse size: ϕ .25" x 1.25"



E89872



E72169

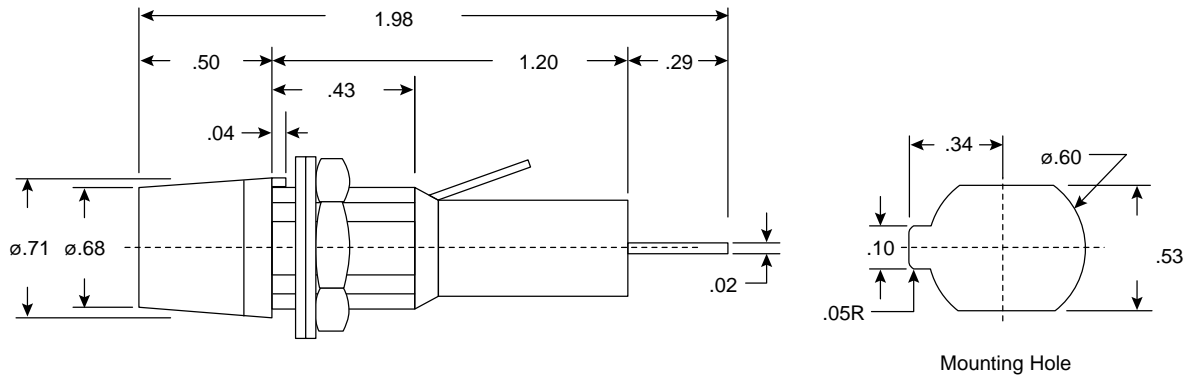
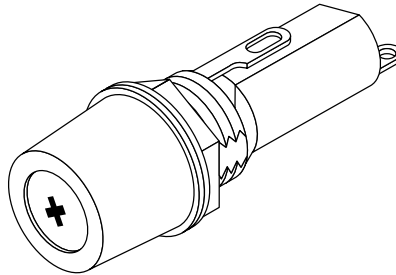


LR46728-3

Your source for quality electronics. Toll-free full service

(800) 346-6873

<http://www.mouser.com>



Dimensions (In.)

Specifications:

- Type: standard panel mount
- Cap color: black
- Fuse size: \varnothing .25" x 1.25"
- Rating: 10A @ 250VAC
- Insulation: 100M Ω (min.) @ 2.5VDC/ 1A
- Withstand voltage: 1,500VAC for 1 minute
- Contact resistance: 50m Ω @ 2.5VDC/ 1A



E46754

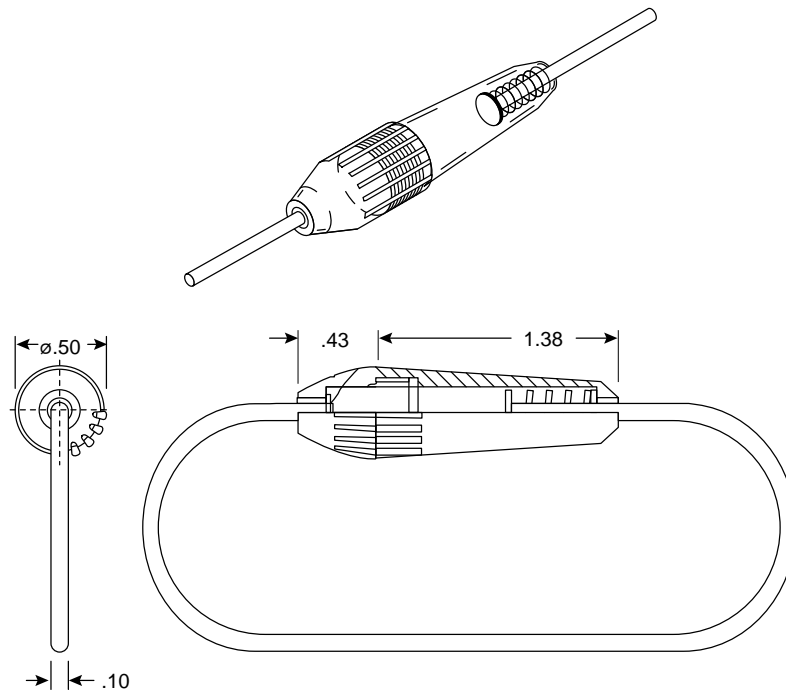


LR30024

Your source for quality electronics. Toll-free full service

(800) 346-6873

<http://www.mouser.com>



Dimensions (In.)

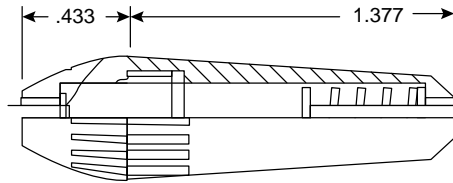
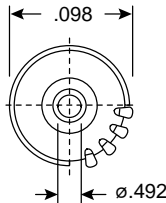
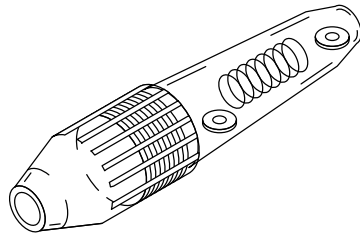
Specifications:

- Type: standard in-line
- Color: clear
- Fuse size: $\varnothing.25$ " x 1.25"
- Rated power: 3A @ 125VAC
- Insulation resistance: 100M Ω (min.) @ 500VDC
- Withstand voltage: $\pm 1,000$ VAC for 1 minute
- Working temperature: 50°C (max.)
- Lead wire: 18" UL-1007 #16AWG

Your source for quality electronics. Toll-free full service.

(800) 346-6873

<http://www.mouser.com>



Dimensions (In.)

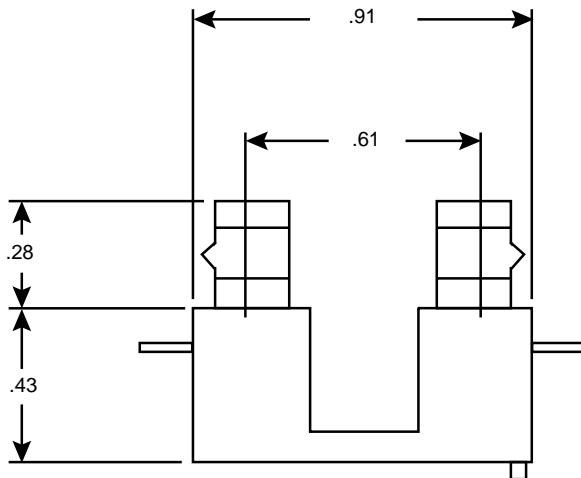
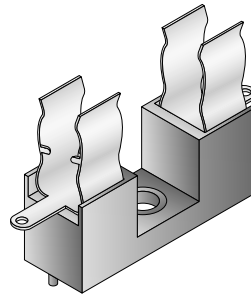
Specifications:

- Type: standard in-line without leads
- Color: clear
- Cap & body: AS resin (acrylonitrile-styrene copolymer)
- Washers: tin plated brass
- Spring: uni-chromate plated steel (piano wire)
- Fuse size: $\varnothing.25$ " x 1.25" (3AG type)
- Rated power: 3A @ 125VAC
- Insulation resistance: 100M Ω (min.) @ 500VDC
- Withstand voltage: 1,000VAC for 1 minute
- Working temperature: 50° (max.)

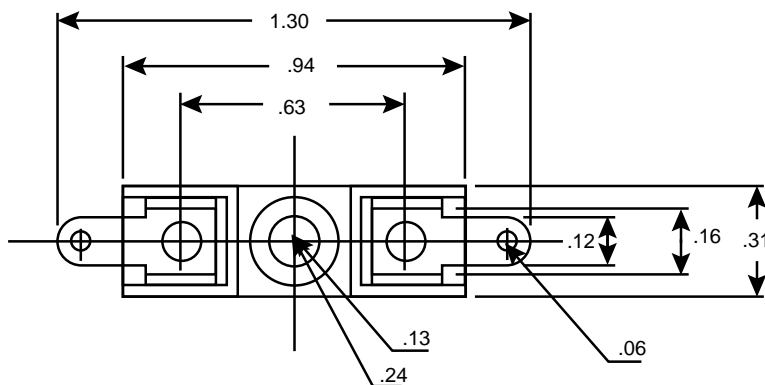
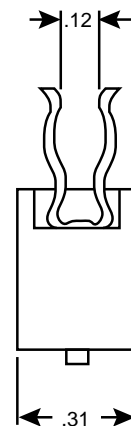
Your source for quality electronics. Toll-free full service.

(800) 346-6873

<http://www.mouser.com>



Dimensions (In.)



Specifications:

- Rated power: 6A @ 125V
- Withstand voltage: 1000VAC for 1 minute
- Insulation resistance: 100MΩ (min.) @ 500VDC

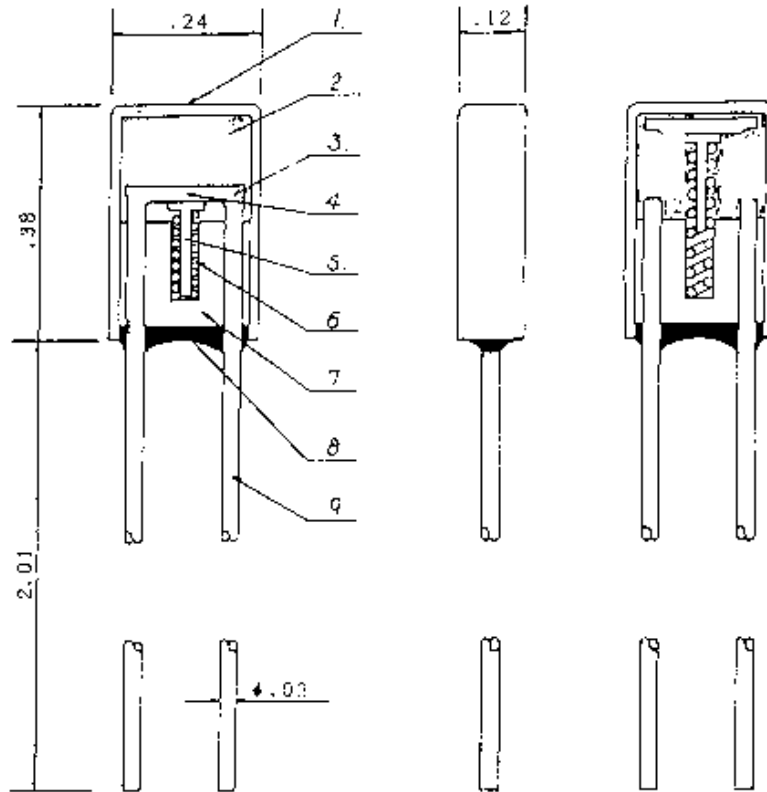
Material Specifications:

- Mold stopper: noril high frequency weld
- Fuse clip: phosphor bronze nickel plate
- Body: noril (gray) UL E-45587

Your source for quality electronics. Toll-free full service

(800) 346-6873

UL #E59349
CSA #LR35314
VDE #9485-4510-
100
MKI #33-327



Dimensions (In.)

S-TYPE

1. Cover case
2. Insulation oil
3. Alloy fuse
4. Contact bar
5. Rivet
6. Spring
7. Supporting base
8. Sealing resin
9. Lead wire

SPECIFICATIONS

CAT. NO.	INDICATING (MARKING) TEMPERATURE		REGULATED FUNCTIONING TEMP. ACCURACY (°C)	UL/CSA/BS NEW STANDARD RATED FUNCTIONING TEMP. (°C/°F)	VDE STANDARD RATED SWITCH-OFF TEMP. (°C)	HOLDING TEMP. (T _H) & RAISED MAXIMUM CONTINUOUS USE TEMP. (°C)	MAXIMUM TEMP. LIMIT (T _M) (°C)	ELECTRICAL RATING AC	Recognized (Approved)				
	REVISED (NEW)	FORMER							UL	CSA	VDE	SEAB	WDE
S-145	150°C	145°C	148 +0 -5	150 +0 -10	150 +0 -10%	120	180	250V 5A	○	○	○	○	○
S-125	130°C	125°C	128 +0 -5	130 +0 -10	130 +0 -10%	100	180	250V 5A	○	○	○	○	○
S-105	110°C	105°C	108 +0 -5	110 +0 -10	110 +0 -10%	80	180	250V 5A	○	○	○	○	○
S-95	100°C	95°C	98 +0 -5	100 +0 -10	100 +0 -10%	70	180	250V 5A	○	○	○	○	○
S-80	85°C	80°C	83 +0 -5	85 +0 -10	85 +0 -10%	55	180	250V 5A	○	○	○	○	○

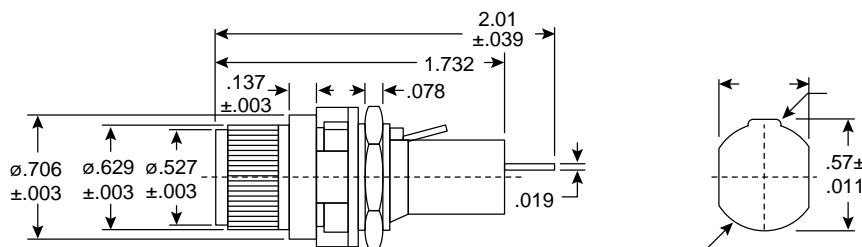
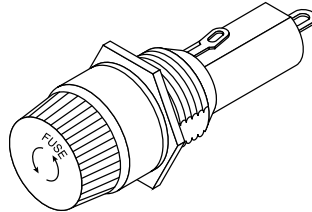
Notes:

- 1) Rated Functioning Temperature (TF):
The assuring temperature range within which a thermal fuse (thermal cutoff) changes its state of conductivity to open circuit with detection current as the only load.
- 2) Holding Temperature (T_H):
The maximum temperature at which a thermal fuse can be maintained while conducting rated current for a period of time specified by the manufacturer which will not cause a change in the state of conductivity to open circuit.
- 3) Maximum Temperature Limit (T_M):
The maximum temperature at which a thermal cutoff which has changed its state of conductivity can be maintained for a given period of time during which its mechanical and electrical properties will not be impaired.

Your source for quality electronics. Toll-free full service

(800) 346-6873

<http://www.mouser.com>



Dimensions (In.)

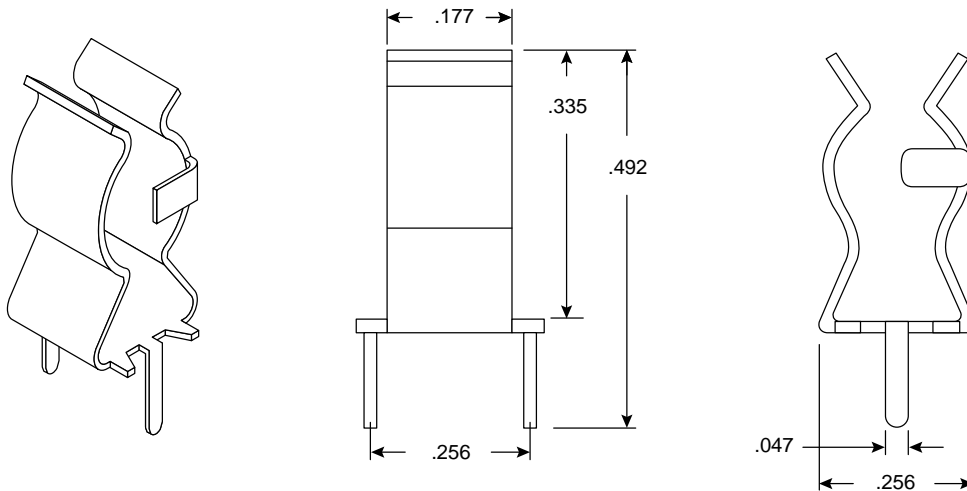
Specifications:

- Type: panel mount
- Fuse size: $\varnothing.25$ " x 1.25"
- Body: phenolic resin
- Solder terminal
- Rated: 10A 250VAC
- Insulating resistance: $100M\Omega$ (min.) @ 500VDC
- Dielectric strength: 1500VAC for 1 minute

Your source for quality electronics. Toll-free full services

(800)346-6873

<http://www.mouser.com>



Dimensions (In.)

Specifications:

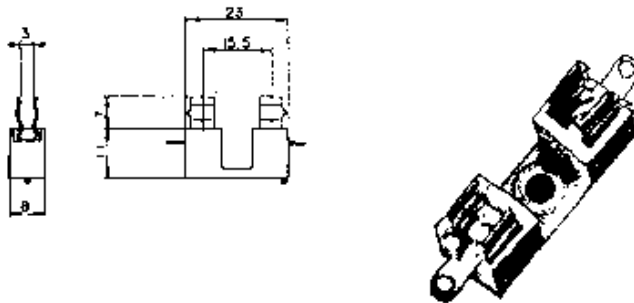
- Type: miniature, PC board mount
- Rating: 6A
- Fuse size: 20 x 5 (mm)
- Contacts: silver plated brass

Your source for quality electronics. Toll-free full service.

(800) 346-6873

<http://www.mouser.com>

ALL DIMENSIONS IN MM



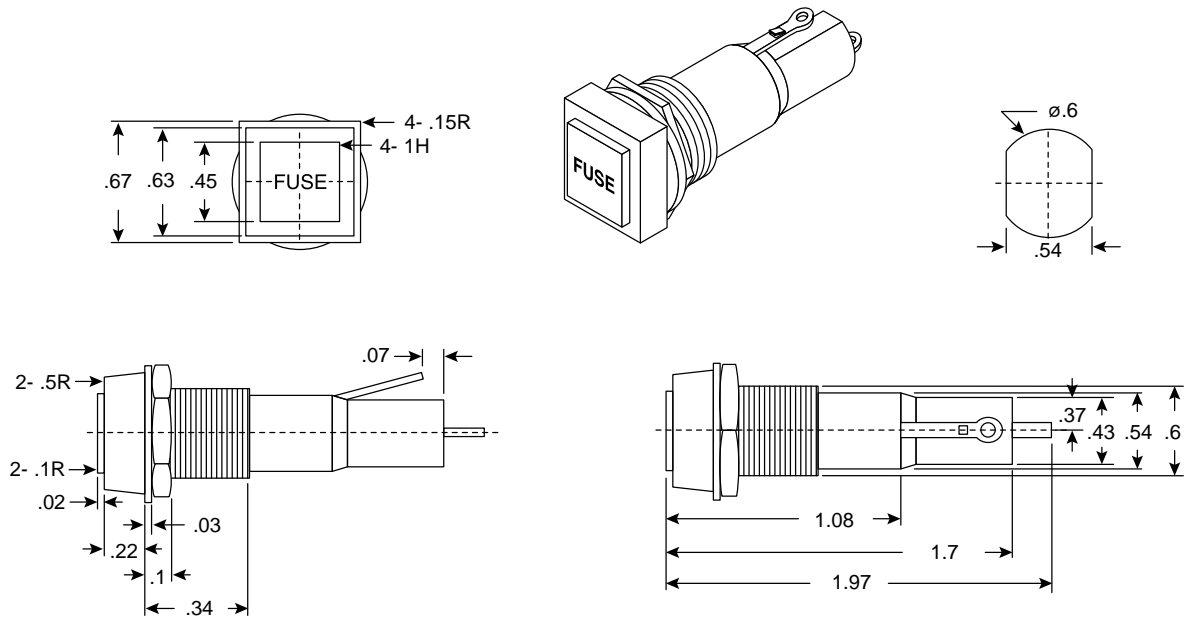
SPECIFICATIONS:

VOLTAGE : 125 VOLTS
CURRENT : 6 AMPS
CONTACT : NICKEL PLATED STEEL
FUSE SIZE : 5 MM X 20 MM

Your source for quality electronics. Toll-free full service.

(800) 346-6873

<http://www.mouser.com>



Dimensions (In.)

New safety fuse holder features a unique inner catch so that the cap cannot be removed until the spring is depressed. The cap can be removed with one touch, yet it's designed so that it cannot jar loose. Its low profile is an added assurance against breaching or shearing off.

Specifications:

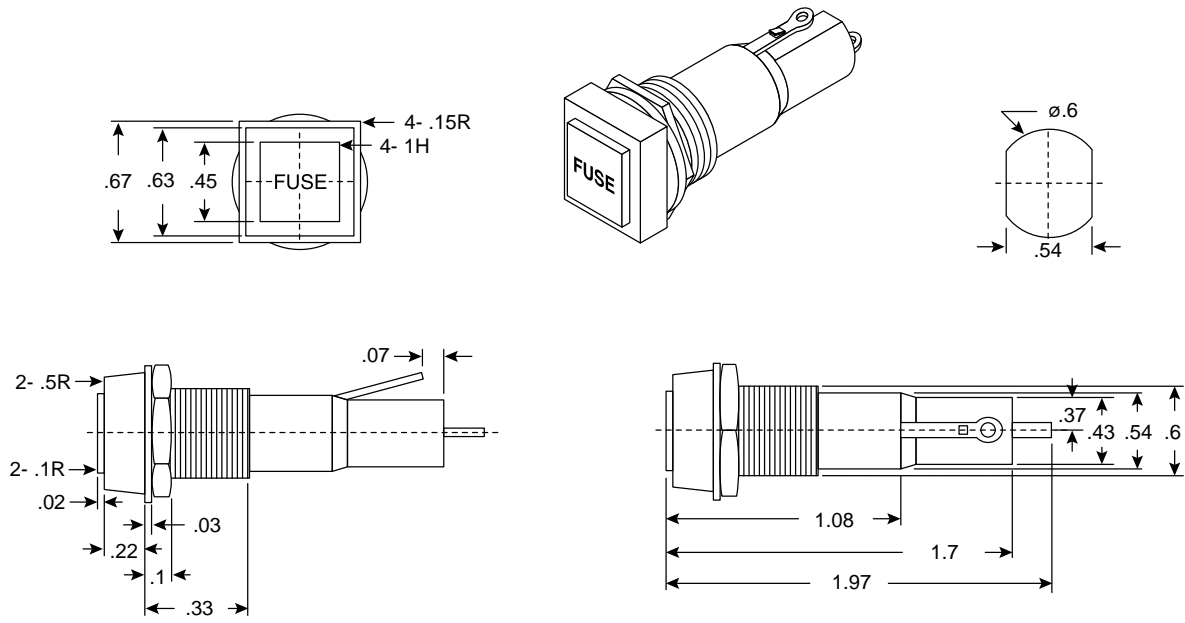
- Type: standard panel mount
- One touch removable cap
- Cap color: red
- Rating: 6A @ 250VAC

- Fuse size: .25 x 1.25 inches
- Weight: 8.7g
- Contact resistance: $\leq 10\text{m}\Omega$ 1A @ 2.5VDC
- Insulation resistance: $\geq 100\text{M}\Omega$ @ 500VDC
- Voltage breakdown: 2,000VAC for 1 minute

Your source for quality electronics. Toll-free full service.

(800) 346-6873

<http://www.mouser.com>



Dimensions (In.)

New safety fuse holder features a unique inner catch so that the cap cannot be removed until the spring is depressed. The cap can be removed with one touch, yet it's designed so that it cannot jar loose. Its low profile is an added assurance against breaching or shearing off.

Specifications:

- Type: standard panel mount
- One touch removable cap
- Cap color: black
- Rating: 6A @ 250VAC
- Fuse size: .25 x 1.25 inches
- Net weight: 8.7g
- Contact resistance: $\leq 10\text{m}\Omega$ 1A @ 2.5VDC
- Insulation resistance: $\geq 100\text{M}\Omega$ @ 500VDC
- Voltage breakdown: 2,000VAC for 1 minute



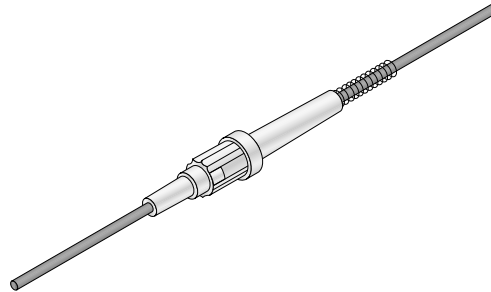
E89872

E43163

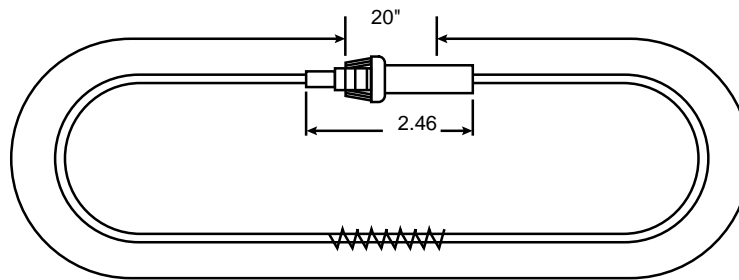
Your source for quality electronics. Toll-free full service.

(800) 346-6873

<http://www.mouser.com>



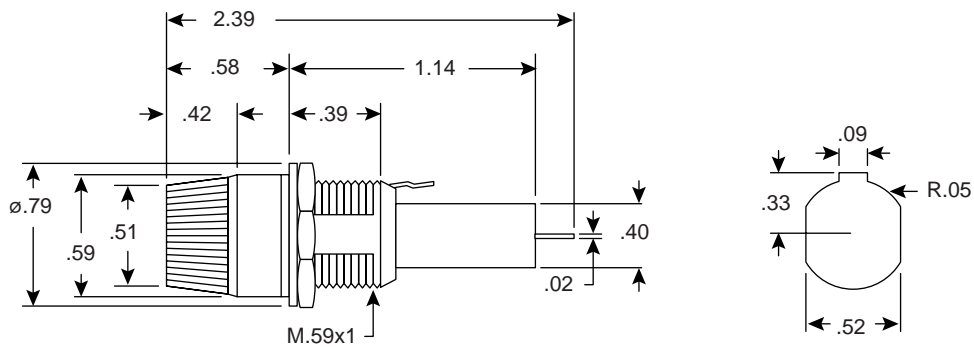
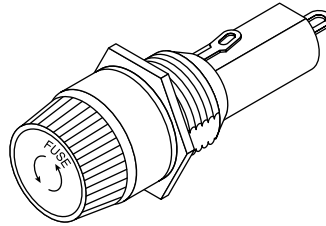
Dimensions (mm)



Specifications:

- Housing: nylon
- Power rating: 125VAC 3A
- PVC insulated wire
- 1.8mm dia. PVC wire
- 0.18mm x 12 strands
- Fuseholder body: nylon 6
- Terminals: nickel plated brass
- Spring: unichromate plated spring
- Rated current: 3A
- Max. current: 5A
- Withstand voltage: 3000VAC for 1 minute
- Insulation resistance: <math><100\text{M}\Omega</math> at 500VDC

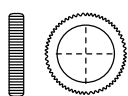
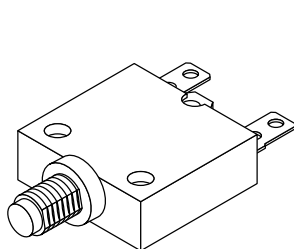
Your source for quality electronics. Toll-free full service
(800) 346-6873



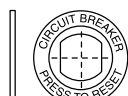
Dimensions (In.)

Specifications:

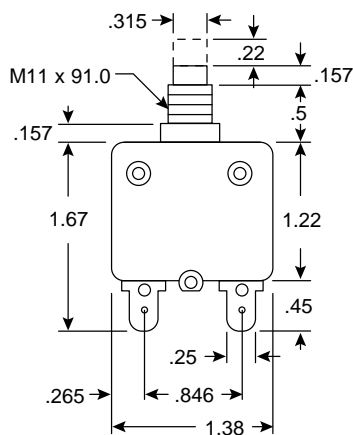
- Type: panel mount
- Rating: 10A 250VAC
- Contact resistance: 50mΩ max. @ 2.5VDC 1A
- Insulation resistance: 100MΩ min. @ 500VDC
- Withstand voltage: 1500VAC for 1 minute
- Mating fuse: 3AG type standard fuse



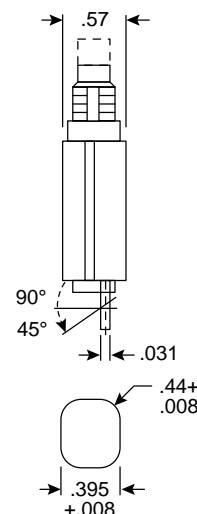
Knurl Nut



Name Plate



Dimensions (In.)



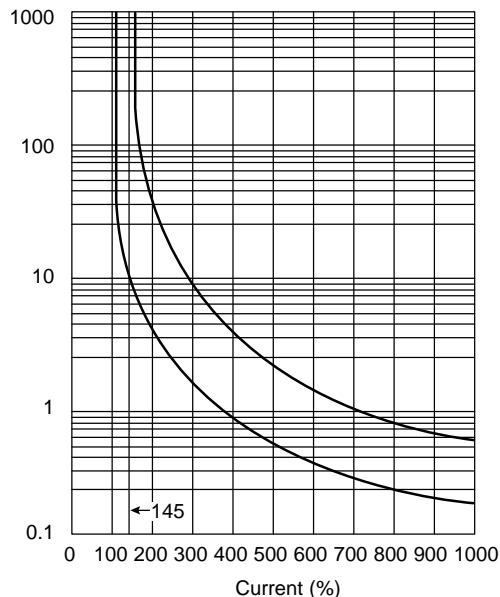
Specifications:

- Type: thermal, manual reset
- Bushing: metallic
- Color: black
- Weight: 0.95oz (27g)
- Termination: 250" quick connect, straight
- Calibration [77°F (25°C)]:
 - A) @ 100% rated load will continuously carry
 - B) @ 145% rated load will trip in <1 hr.
 - C) @ 200% rated load will trip in 7-20 sec.
- Temperature rise: <9°F (5°C) @ terminal block
- Current & voltage ratings: 15A @125/250VAC, 50VDC, 50Hz
- Interrupting capacity: 1,000A @ 250VAC
- Resettable overload capacity: 10 times rated current
- Dielectric strength: >1500V RMS
- Overload cycling: >6000 cycles @ 300% of rated load
- Voltage drop: <0.25V
- Reset time: 1 minute (max.)
- Soldering temperature: hand soldering @ 500°F (260°C) for 10 sec.
- Resistance: 0.0062Ω (max.)
- Included hardware: 1 knurl nut & 1 name plate
- Meets SAA approval #CS/489/Q.



Tripping Characteristic Curve

- Ambient temperature: 77°F (25°C)
- Rated current: 3A -30A

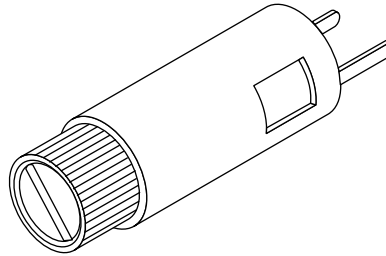


Capacity Correction Factors for Ambient Temperatures								
Current Rating Amps.	Temperature							
	°F	+50	+68	+77	+86	+104	+122	+140
	°C	+10	+20	+25	+30	+40	+50	+60
		.90	.95	1.00	1.10	1.32	1.61	2.15

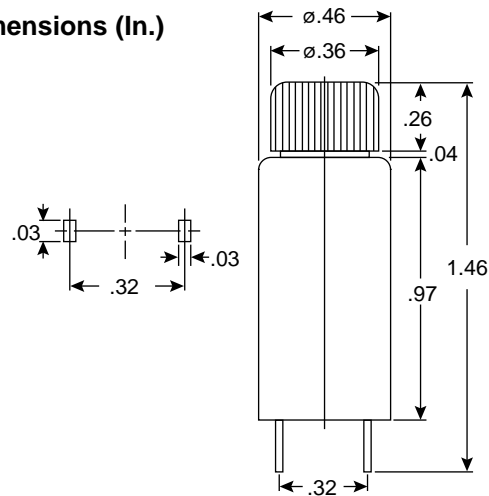
Your source for quality electronics. Toll-free full service.

(800) 346-6873

<http://www.mouser.com>



Dimensions (In.)



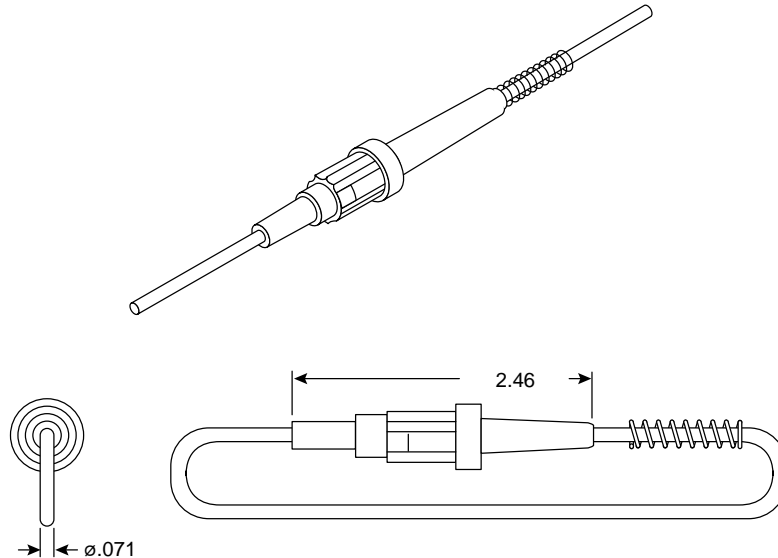
Specifications:

- Rating: 10A @ 250VAC
- Insulation resistance: 500VDC 100M Ω min.
- Dielectric strength: 1000VAC for 1 minute
- Fuse size: 5 x 20mm

Your source for quality electronics. Toll-free full service

(800) 346-6873

<http://www.mouser.com>



Dimensions (In.)

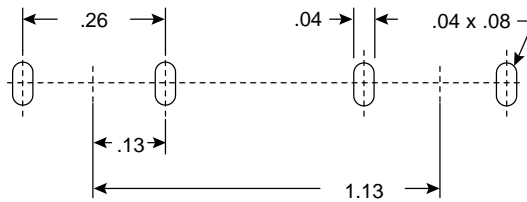
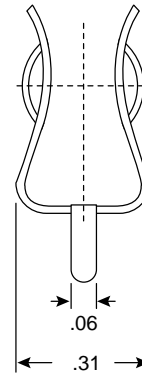
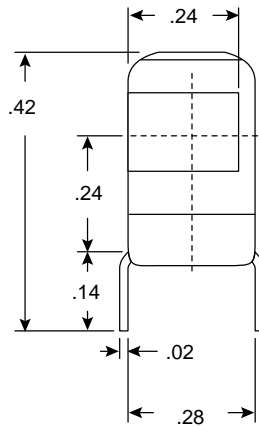
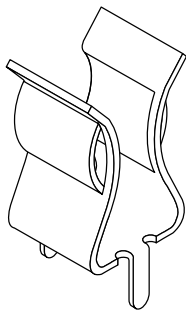
Specifications:

- Type: universal, in-line
- Color: white
- Lead color: 44FH497(black), 44FH498(red)
- Lead wire: 18" in length, PVC insulated
- Strands: .01 x .47 inches
- Body: nylon 6
- Terminals: nickel plated brass
- Spring: unichromate plated
- Rated current: 3A
- Maximum current: 5A
- Withstand voltage: 3,000VAC for 1 minute
- Insulation resistance: < 100M Ω @ 500VDC
- Wire size: 22AWG

Your source for quality electronics. Toll-free full service.

(800) 346-6873

<http://www.mouser.com>



Mounting Hole

Dimensions (In.)

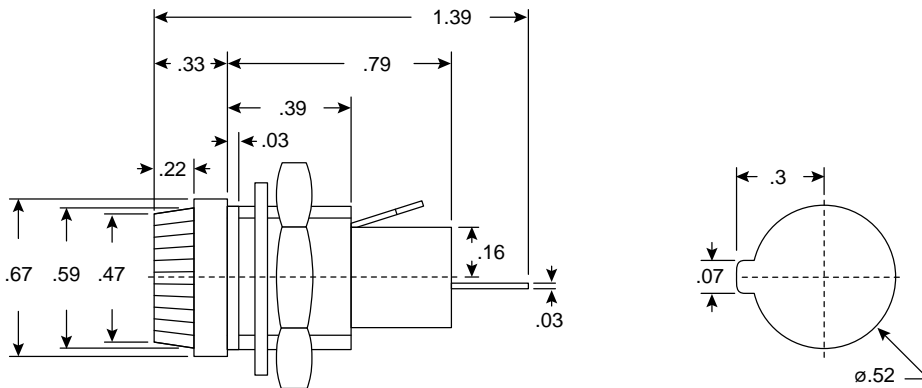
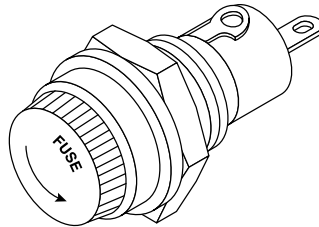
Specifications:

- Material: tin plated brass
- Rated current: 15A

Your source for quality electronics. Toll-free full service.

(800) 346-6873

<http://www.mouser.com>



Dimensions (In.)

Specifications:

- Type: miniature, panel mount
- Cap color: black
- Rating: 10A @ 250VAC
- Fuse size: 5.2mm x 20mm
- Terminal: .187" faston

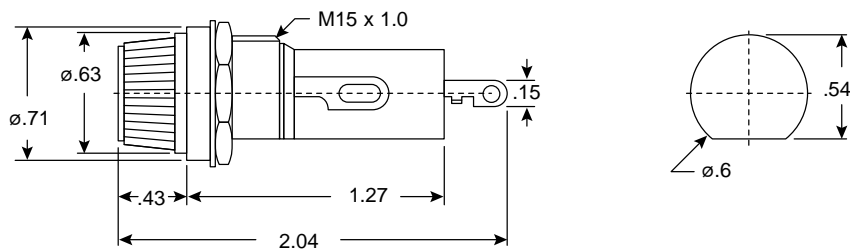
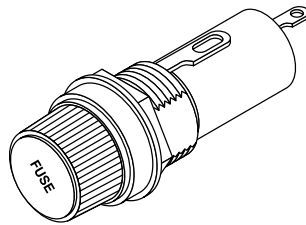


E46754(S)

Your source for quality electronics. Toll-free full service.

(800) 346-6873

<http://www.mouser.com>



Dimensions (In.)

Specifications:

- Type: standard, panel mount
- Cap color: black
- Rating: 10A @ 250VAC
- Insulation resistance: 100M Ω (min.) @ 500VDC
- Dielectric strength: 1,500VAC for 1 minute
- Fuse size: .25" x 1.25"



LR46728X

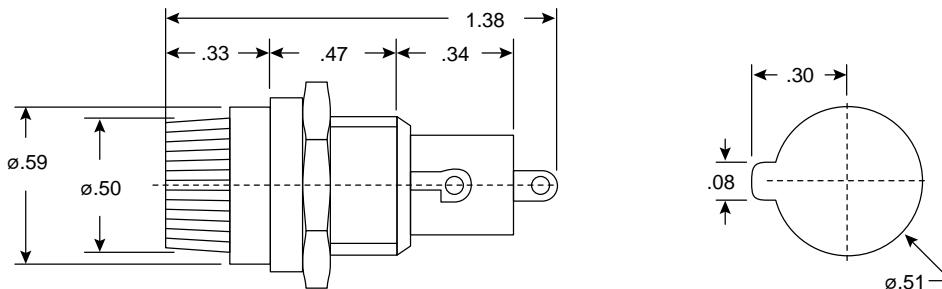
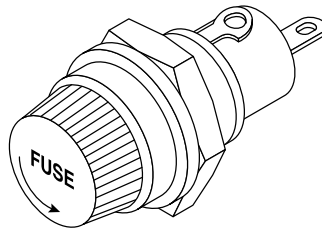


E72169

Your source for quality electronics. Toll-free full service.

(800) 346-6873

<http://www.mouser.com>



Dimensions (In.)



E72169



LR46728

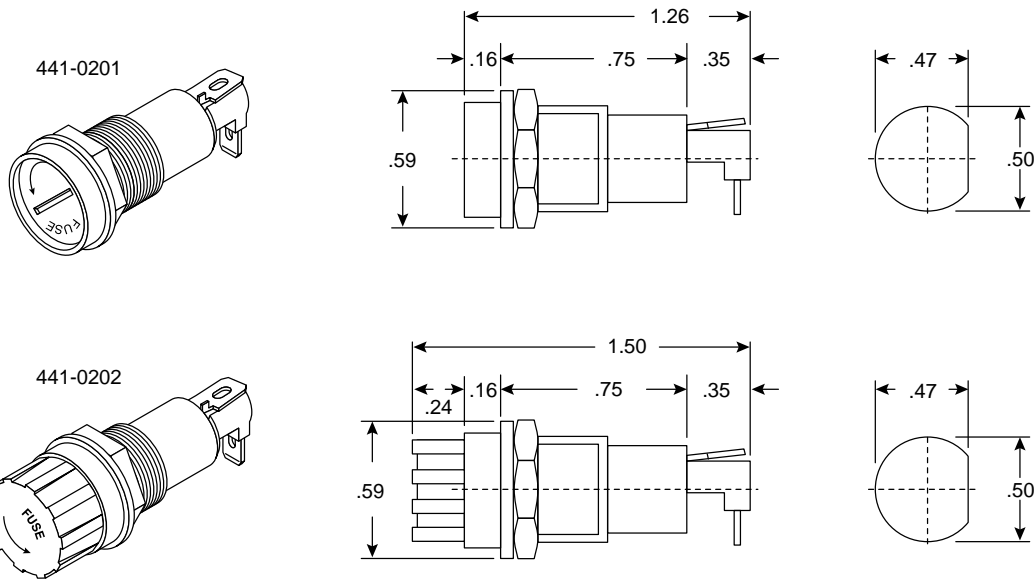
Specifications:

- Type: miniature
- Color: black
- Rating: 10A @250VAC
- Insulation resistance: 100M Ω (min.) @ 500VDC
- Dielectric strength: 1,500VAC for 1 minute
- Fuse size: 5mm x 20mm

Your source for quality electronics. Toll-free full service.

(800) 346-6873

<http://www.mouser.com>



Dimensions (In.)



E89872



E89872



LR59229

Specifications:

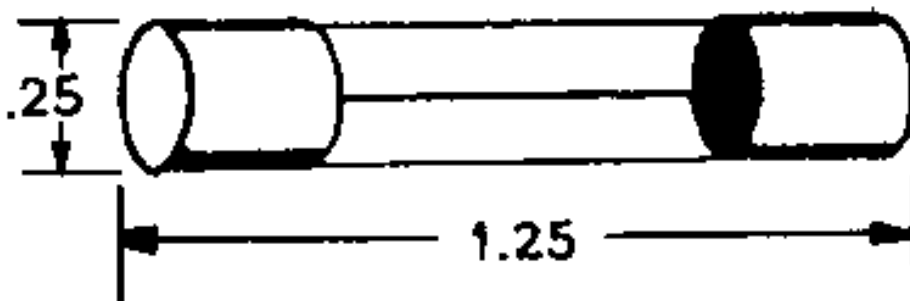
- Type: miniature (5mm x 20mm)
- 441-0201: screw slot knob; 441-0202: finger grip knob
- Cap color: black
- Fuse type: 5.2mm x 20mm
- Rating: 10A @ 250VAC
- Contact resistance: 10mΩ (max.) @ 1ADC
- Insulation resistance: 100MΩ (min.) @ 500VDC
- Insulation withstand voltage: 1,500VAC for 1 minute
- Terminals: fast-on (quick connect)

Your source for quality electronics. Toll-free full service.

(800) 346-6873

<http://www.mouser.com>

Dimensions (In.)



Specifications:

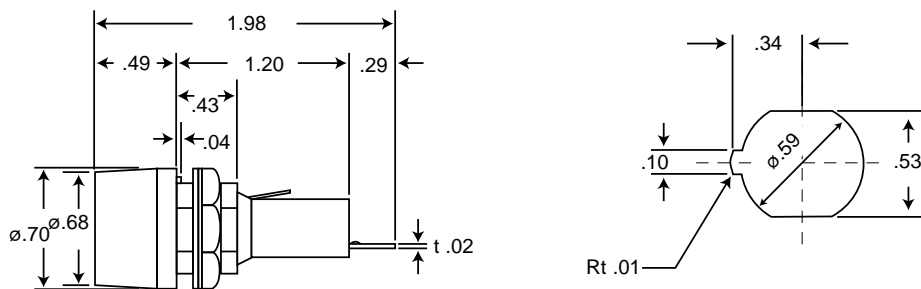
- Type: AGC fast acting
- Current rating: 1 amp
- Voltage rating: 250V

Your source for quality electronics. Toll-free full service

(800) 346-6873

<http://www.mouser.com>

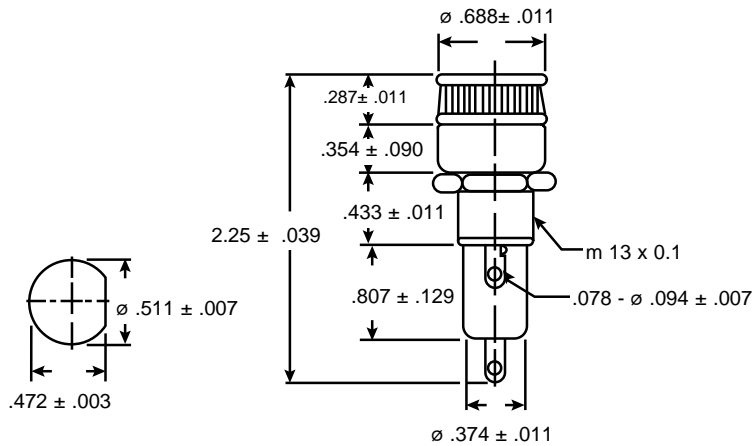
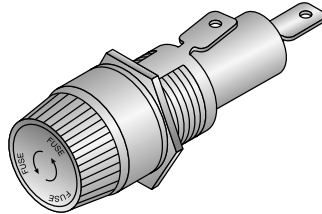
Dimensions (In.)



Specifications:

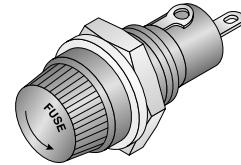
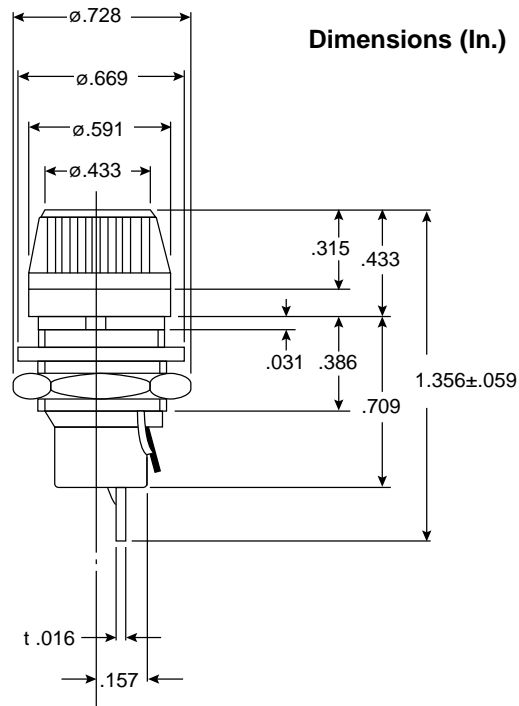
- Rating power: 10A 250VAC
- Contact resistance: max. 50m Ω @ 2.5VDC 1A
- Insulation resistance: min. 100M Ω @ 500VDC
- Withstand voltage: 1 minute @ 1500VAC
- Mating fuse: 3AG type standard fuse
- Matching fuse: $\phi .25 \times 1.25$
 $\phi .25 \times 1.18$
- UL / CSA approved

Your source for quality electronics. Toll-free full service
(800) 346-6873



Specification

- Fit 6.4 x 30mm fuse, quick -connect
- 131, 014, 024, 02010 assembled
- 131, 014, 024, 02010 non assembled
- Rating: 10A 250VAC



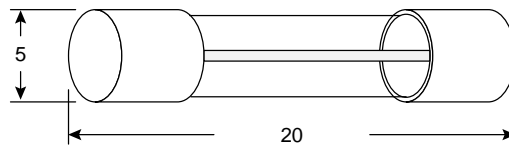
Electrical Specifications:

- Operating temperature range: -20°C to +60°C
- Rating: 250VAC 6A
- Contact resistance: 50mΩ max.
- Insulation resistance: 100MΩ min.

Part name	Material	Finish	Flame Class
Cap Cover	Molded Phenolic		UL94V-0
Cap	Brass	Nickel plated	
Clip Spring	Phosphor Bronze	Nickel plated	UL94V-0
Side Terminal	Copper Alloy	Nickel plated	
Body	Molded Phenolic		
End Terminal	Brass	Nickel plated	
Coil Spring	Steel Wire	Nickel plated	
Washer	Polystyrene		

Your source for quality electronics. Toll-free full service

(800) 346-6873



Dimensions (mm)

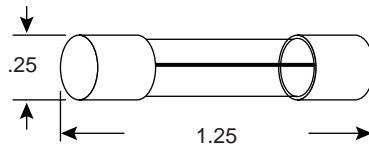
Specifications:

- Type: low cost, imported , fast acting,
- Materials: glass tube, electroplated brass caps, fuse wire
- Electrical voltage: 250V
- Current: 1A
- Electrical blow time: @ 110% rated current 4 hrs min.
@ 135% rated current 1 hrs max.
@ 200% rated current 2 minutes max.
- For non-critical applications
- Not UL approved

Your source for quality electronics. Toll-free full service.

(800) 346-6873

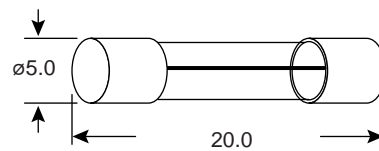
<http://www.mouser.com>

**Dimensions (In.)**

Mouser Stock No.	AMP (A)
44FP047	1/8
44FP048	1/4
44FP049	1/2
44FP051	1
44FP052	2
44FP053	3
44FP055	5
44FP056	6

Specifications:

- Type: standard, fast acting
- Tube/cartridge: glass
- End caps: electroplated brass
- Volt: 250V
- Rating: 110% (4 hr. min.), 135% (1 hr. max.), 200% (2 minutes max.)

**Dimensions (mm)****Specifications:**

- Type: miniature, fast acting, GMA
- Tube/cartridge: glass
- End caps: electroplated brass
- Voltage: 250V
- Current: 0.25A
- Rating: 110% (4 hr. min.), 135% (1 hr. max.), 200% (2 minutes max.)